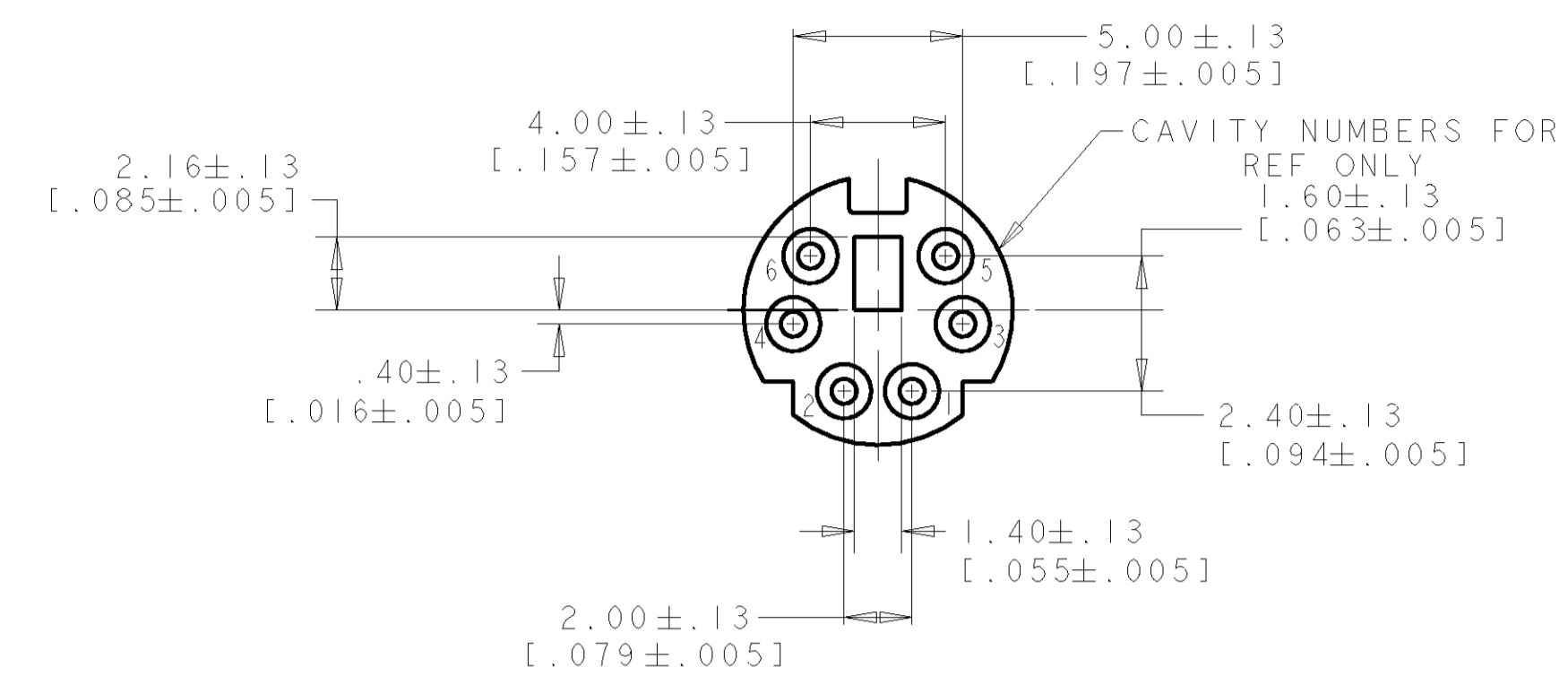
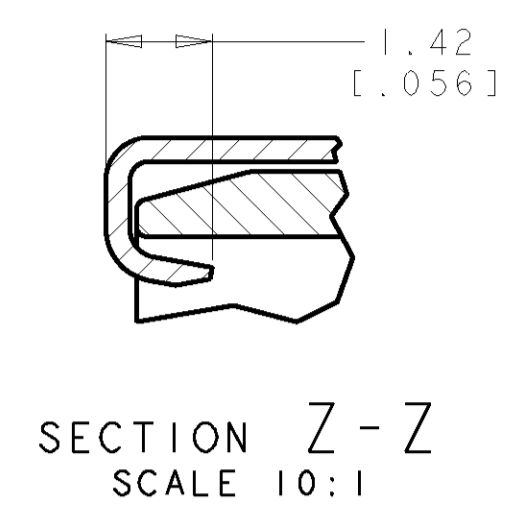
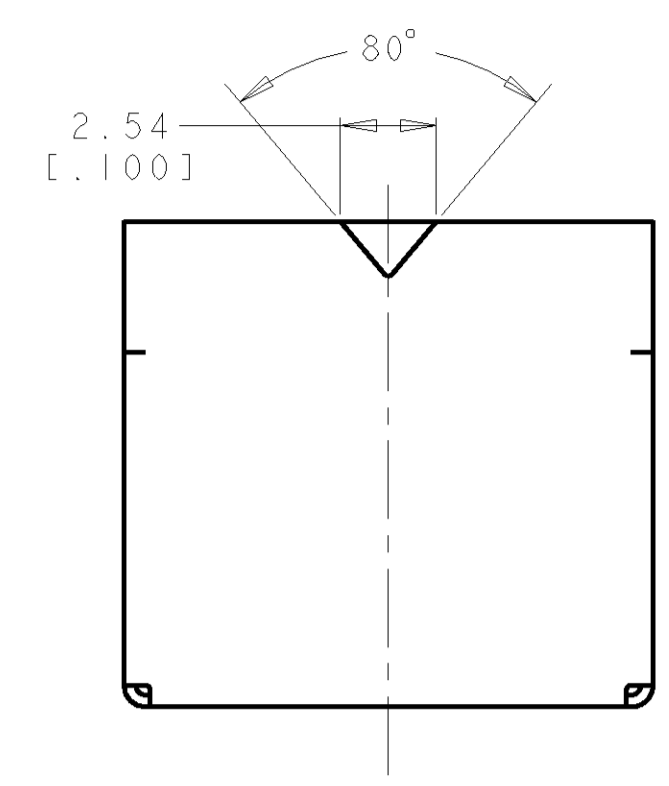
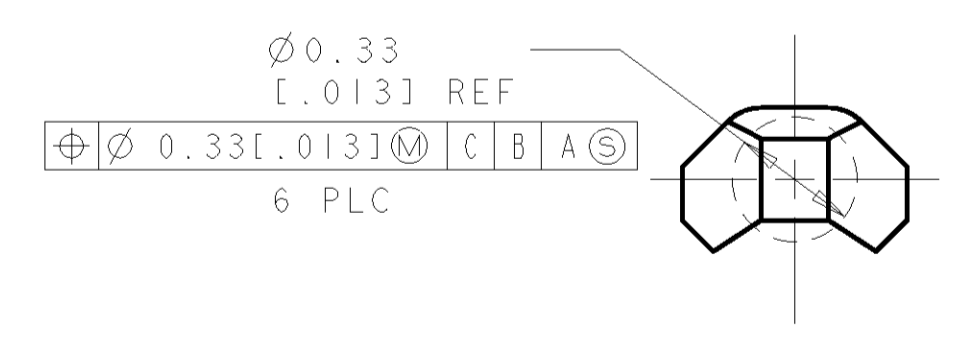
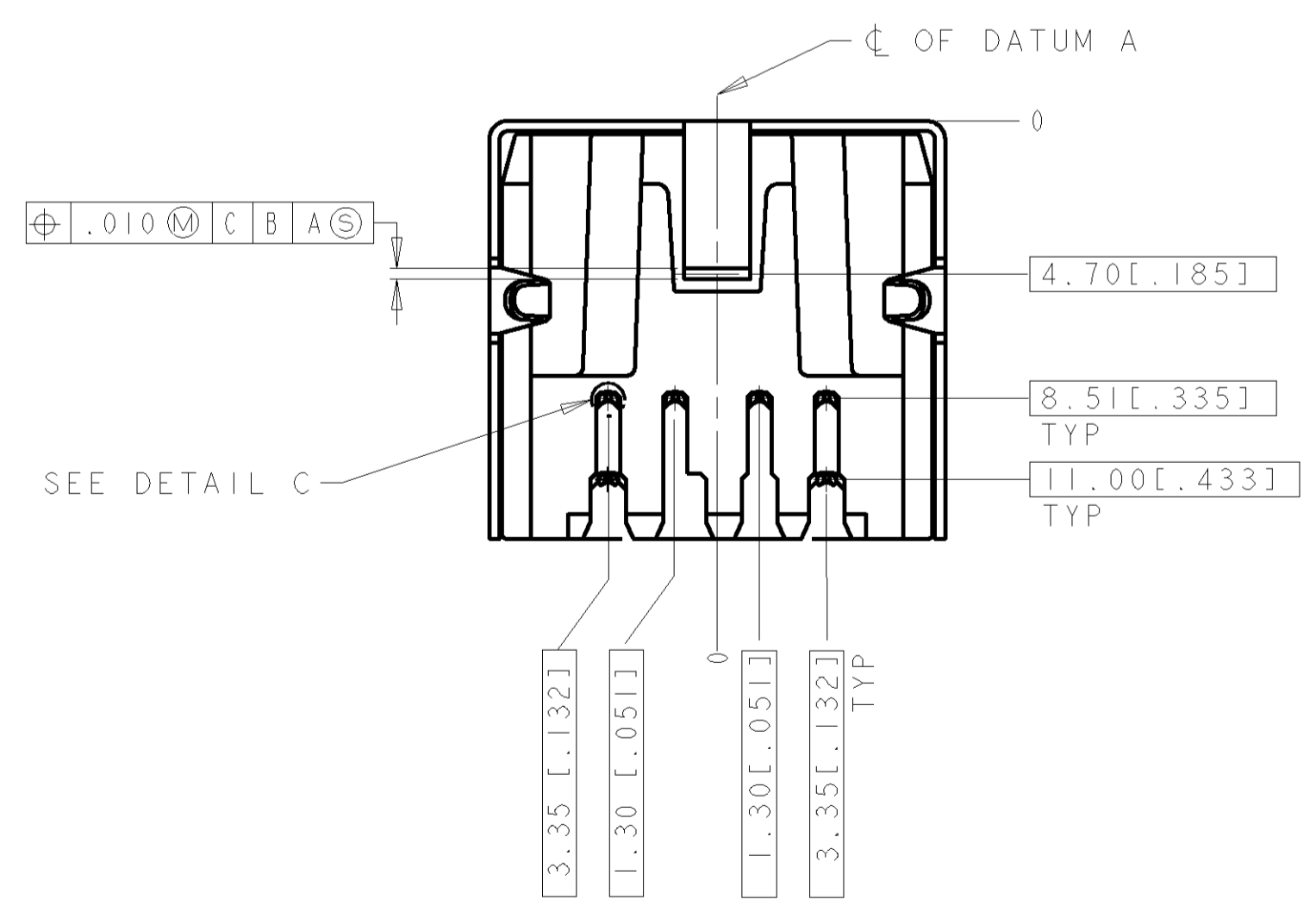
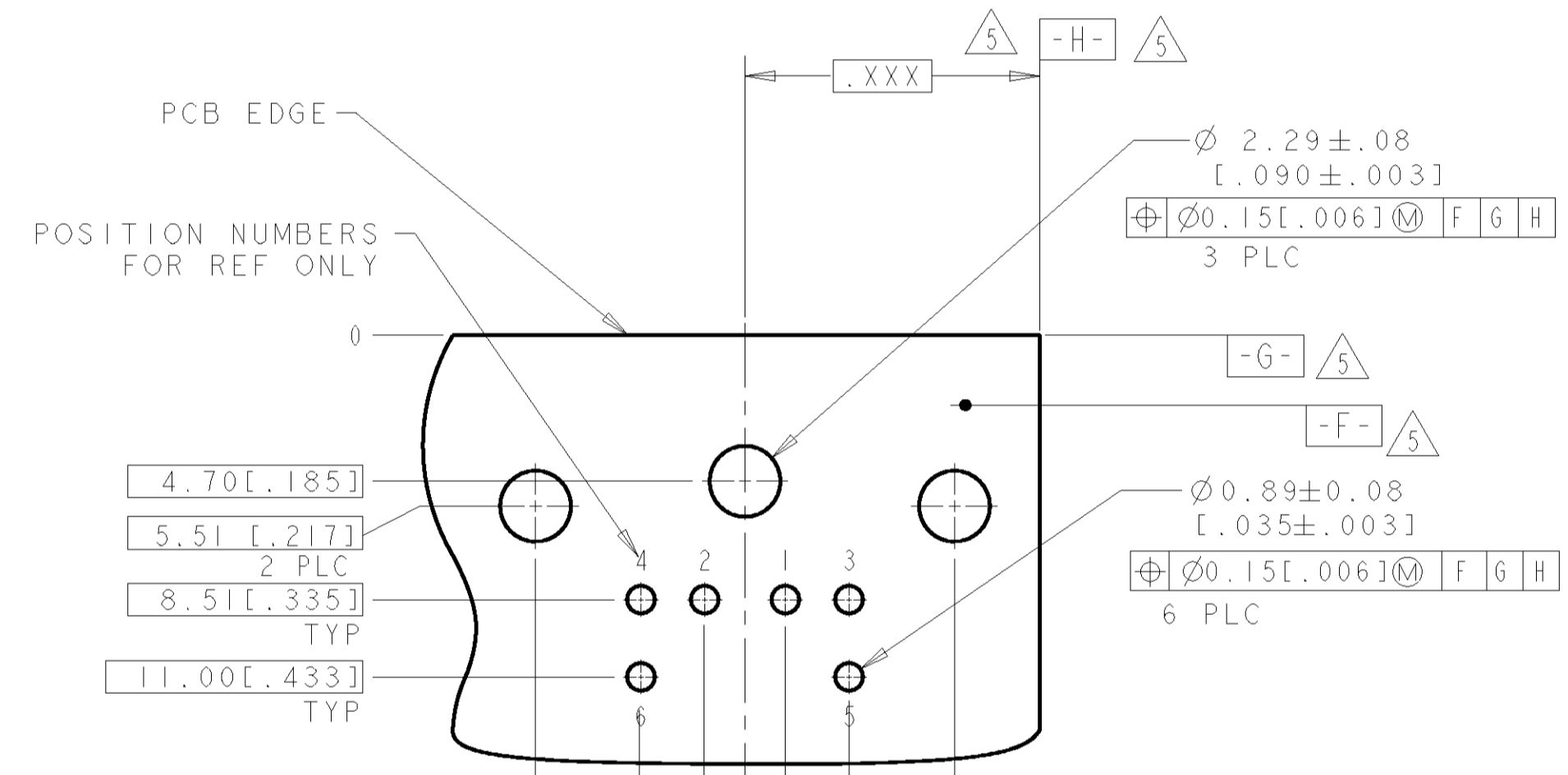
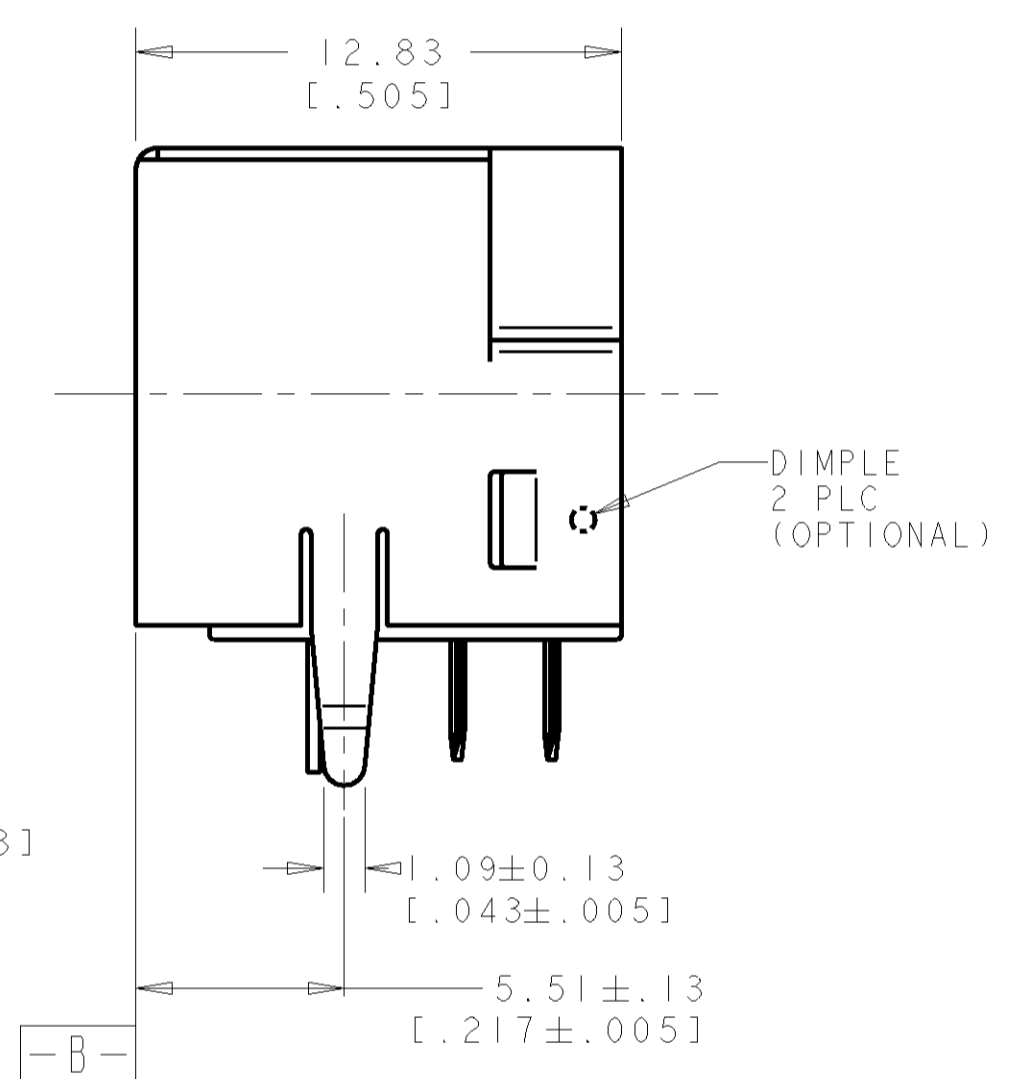
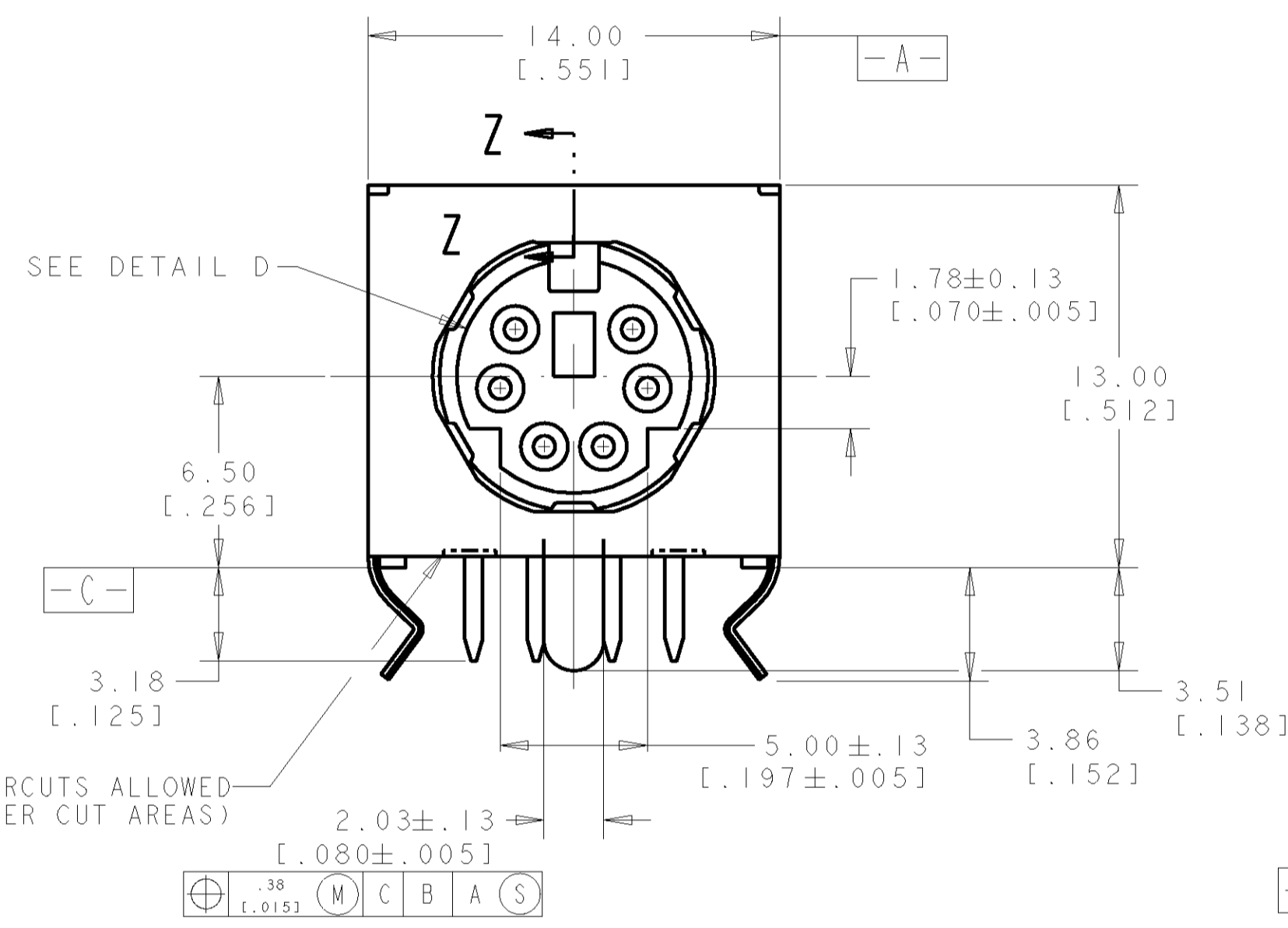


LOC	DIST	REV	DESCRIPTION	DATE	DNM	APRD
DY	-	A1	REVISED PER ECO-11-005139	19MAR11	RK	HMR



- △ RECEPTACLE CONTACTS: COPPER ALLOY.
RECEPTACLE SHIELD: COPPER ALLOY.
HOUSING: THERMOPLASTIC, BLACK, UL 94V-0 RATED.
- △ PLATING:
RECEPTACLE CONTACTS - GOLD PLATED .00076 MIN [0.00030 MIN] THICK
ON MATING END, MATTE-TIN PLATED .0030 MIN [0.000120 MIN] THICK
ON SOLDER TAIL ALL OVER .0013 MIN [0.000050 MIN] THICK NICKEL.
- △ PLATING:
SHIELD: PRE-TIN PLATED
- 4. RECEPTACLE ASSEMBLY MATES WITH 6 PIN 9.00±.10 [0.354±.004]
DIAMETER PLUG.
- △ DATUMS AND BASIC DIMENSION SUPPLIED BY CUSTOMER.



ALL	5749180-1
POSITIONS LOADED	PART NO

DIMENSIONS: mm [INCHES]		TOLERANCES UNLESS OTHERWISE SPECIFIED:		DWN WYLLIE 28DEC2004	
0 PLC	±	0 PLC	±	CRK SF LEONG	NAME
1 PLC	±	1 PLC	±	APRD SF LEONG	RECEPTACLE ASSY W/ HOLD DOWN, 6 POS
2 PLC	±	2 PLC	±	PRODUCT SPEC	RIGHT ANGLE, MINIATURE CIRCULAR DIN
3 PLC	±	3 PLC	±	APPLICATION SPEC	SIZE
4 PLC	±	4 PLC	±	ANGLE	CAGE CODE
5 PLC	±	5 PLC	±	WEIGHT	DRAWING NO
6 PLC	±	6 PLC	±	CUSTOMER DRAWING	A1 00779 C=5749180
MATERIAL		FINISH		SCALE 5:1 SHEET 1 OF 1 REV A1	

单击下面可查看定价，库存，交付和生命周期等信息

[>>TE Connectivity\(泰科\)](#)