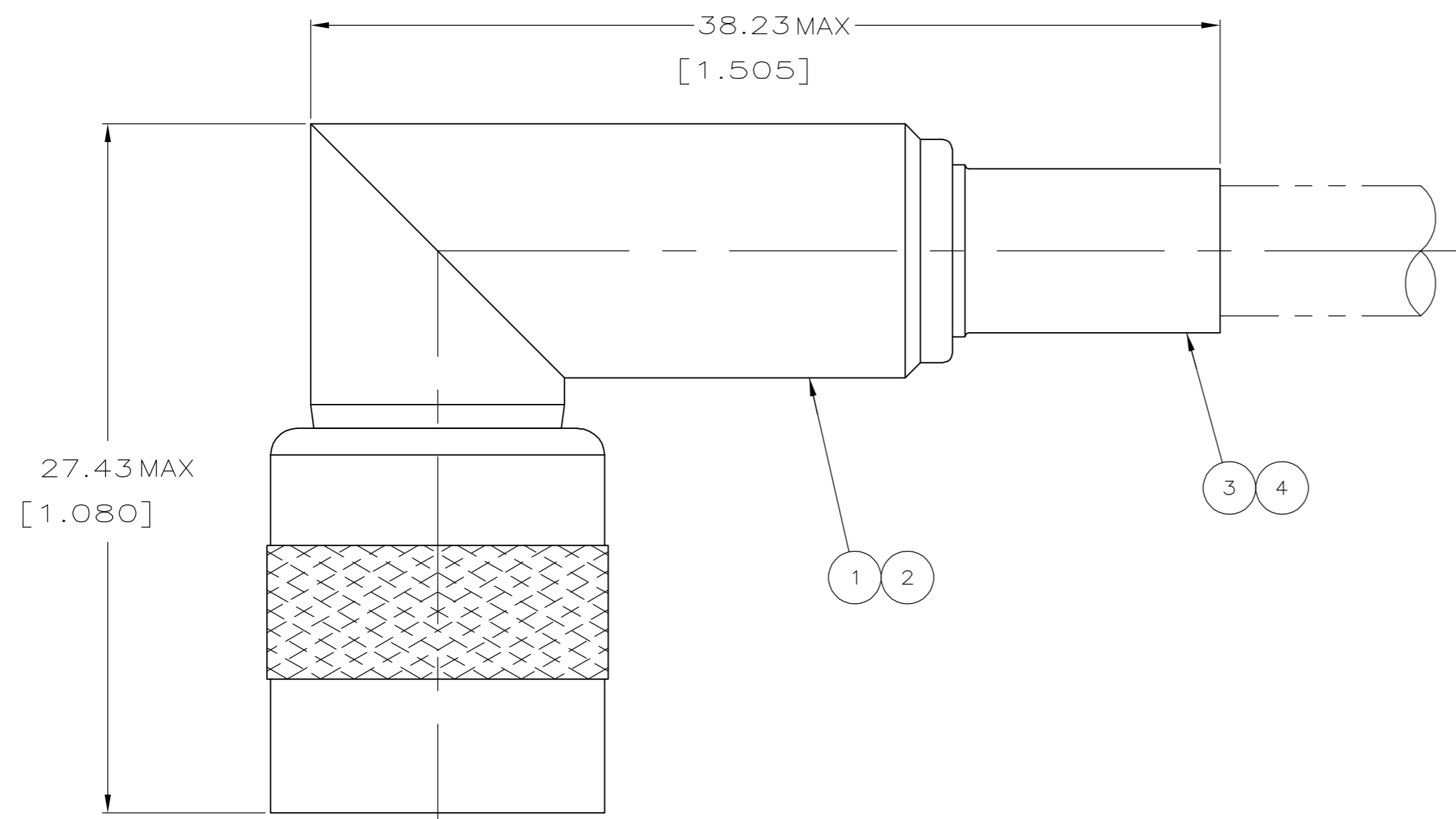
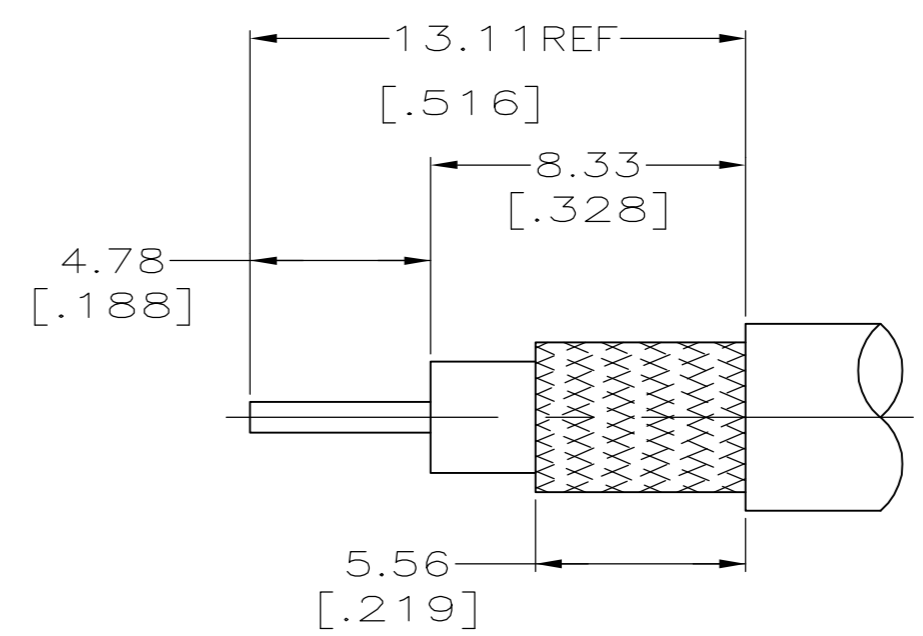


THIS DRAWING IS UNPUBLISHED. RELEASED FOR PUBLICATION  
 © COPYRIGHT BY TYCO ELECTRONICS CORPORATION. ALL RIGHTS RESERVED.

| LOC | DIST | REVISIONS   |                       |          |       |
|-----|------|-------------|-----------------------|----------|-------|
| P   | LTR  | DESCRIPTION | DATE                  | DWN      | APVD  |
| AJ  | 00   | H1          | REV PER ECO 06-029805 | 2/6/2007 | DW JL |



- 1. USE HAND TOOL: 354940-1
- 2. USE INSTRUCTION SHEET 408-4144



RECOMMENDED STRIP LENGTH

|          |   |          |          |              |                 |                 |                       |             |
|----------|---|----------|----------|--------------|-----------------|-----------------|-----------------------|-------------|
| OBSOLETE | 55/U, 55A/U, 55B/U, 223/U                   | 220189-1 | -        | 9-329099-0   | 221149-6        | 414124-1        | 9-414173-0            |             |
| OBSOLETE | 55/U, 55A/U, 55B/U, 223/U                   | 220189-1 | -        | 9-329099-0   | 221149-6        | 414124-1        | 414173-6              |             |
| OBSOLETE | RG-142/U, 142A/U, 142B/U, 400/U             | 220189-1 | -        | 9-225382-0   | 2-221149-6      | 414124-1        | 414173-5              |             |
| OBSOLETE | RG-188/316 TYPE DOUBLE BRAID                | 58330-1  | 227194-1 | 9-329049-0   | 2-221149-0      | 414124-3        | 414173-4              |             |
| OBSOLETE | RG-174/U, 174A/U, 188/U, 188A/U, 316/U      | 220210-1 | 227194-1 | 9-328666-0   | 2-221149-0      | 414124-3        | 414173-3              |             |
| OBSOLETE | RG-59/U, 59A/U, 59B/U, 62/U, 62A/U, 62B/U   | 220189-2 | -        | 9-50428-0    | 1-221149-3      | 414124-2        | 414173-2              |             |
| OBSOLETE | RG-58/U, 58A/U, 58B/U, 58C/U, 141/U, 141A/U | 220189-1 | -        | 9-50427-1    | 221149-6        | 414124-1        | 414173-1              |             |
|          | FOR USE WITH CABLE                          | DIE SET  | ④        | TUBING QTY=1 | ③ FERRULE QTY=1 | ② CONTACT QTY=1 | ① PLUG ASSEMBLY QTY=1 | PART NUMBER |

THIS DRAWING IS A CONTROLLED DOCUMENT.

|      |               |         |
|------|---------------|---------|
| DWN  | M. E. COWHER  | 9-5-91  |
| CHK  | J. T. LIPPERT | 9-12-91 |
| APVD | M. PHILLIPS   | 9-13-91 |

**tyco** Electronics  
 Tyco Electronics Corporation  
 Harrisburg, PA 17105-3608

NAME: PLUG, RIGHT ANGLE, 50 OHM, COMMERCIAL TNC

|      |           |            |               |
|------|-----------|------------|---------------|
| SIZE | CAGE CODE | DRAWING NO | RESTRICTED TO |
| A2   | 00779     | C=414173   | -             |

CUSTOMER DRAWING SCALE: 5:1 SHEET 1 of 1 REV H1

单击下面可查看定价，库存，交付和生命周期等信息

[>>TE Connectivity\(泰科\)](#)