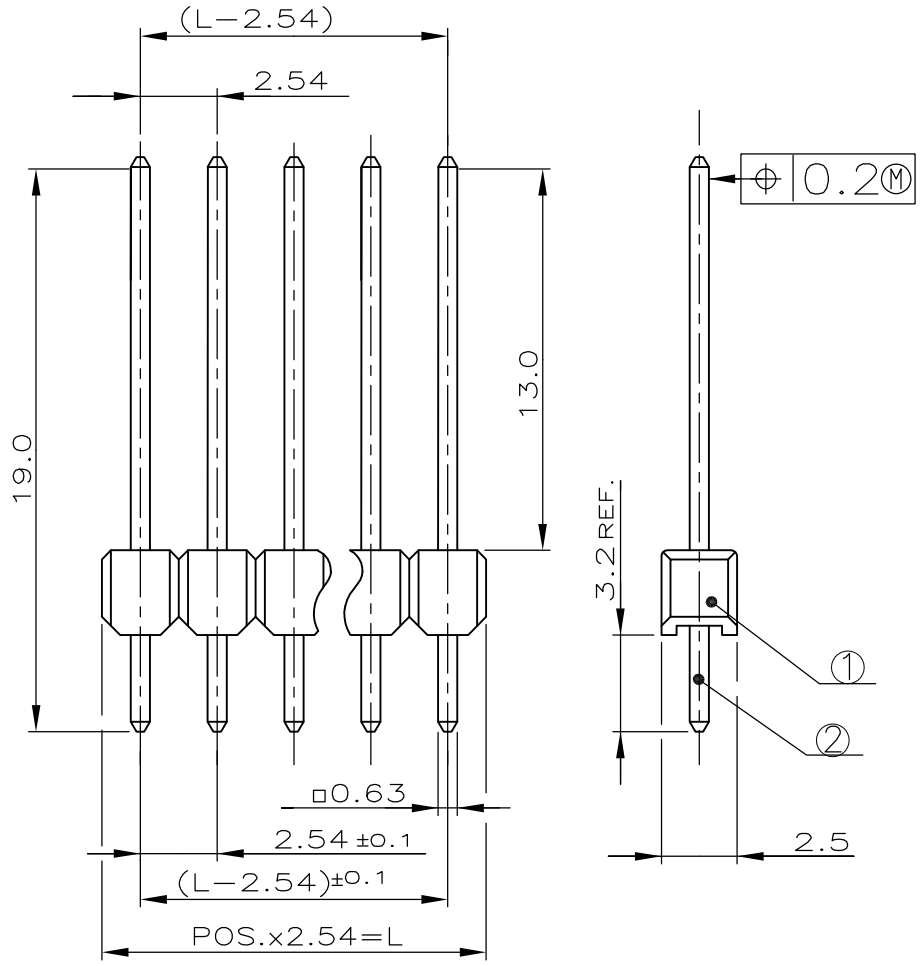


|                           |           |  |     |                 |           |     |      |
|---------------------------|-----------|--|-----|-----------------|-----------|-----|------|
| LOC<br>A                  | DIST<br>— | REVISIONS<br>ÄNDERUNGEN<br>DESCRIPTION<br>BESCHREIBUNG |     |                 | DATE      | DWN | APVD |
| PROJECT NO.:<br>E 80-9581 |           | P  | LTR | BOM TABLE ADDED | 27NOV2015 | KJK | PS   |

| POS. | L ±0.5 | PART NUMBER             |
|------|--------|-------------------------|
| —    | —      | —                       |
| 2    | 5.08   | <del>4</del> 827064 2   |
| 3    | 7.62   | <del>4</del> 3          |
| 4    | 10.16  | <del>4</del> 4          |
| 5    | 12.70  | <del>4</del> 5          |
| 6    | 15.24  | <del>4</del> 6          |
| 7    | 17.78  | <del>4</del> 7          |
| 8    | 20.32  | <del>4</del> 8          |
| 9    | 22.86  | <del>4</del> 9          |
| 10   | 25.40  | 1- -0                   |
| 11   | 27.94  | <del>4</del> 1 -1       |
| 12   | 30.48  | <del>4</del> 1 2        |
| 13   | 33.02  | <del>4</del> 1 3        |
| 14   | 35.56  | <del>4</del> 1 4        |
| 15   | 38.10  | <del>4</del> 1 5        |
| 16   | 40.64  | <del>4</del> 1 6        |
| 17   | 43.18  | <del>4</del> 1 7        |
| 18   | 45.72  | <del>4</del> 1 8        |
| 19   | 48.26  | <del>4</del> 1 9        |
| 20   | 50.80  | 2- -0                   |
| 21   | 53.34  | <del>5</del> 2 -1       |
| 22   | 55.88  | <del>5</del> 2 2        |
| 23   | 58.42  | <del>5</del> 2 3        |
| 24   | 60.96  | <del>5</del> 2 4        |
| 25   | 63.50  | <del>5</del> 2 5        |
| 26   | 66.04  | <del>5</del> 2 6        |
| 27   | 68.58  | <del>5</del> 2 -7       |
| 28   | 71.12  | <del>5</del> 2 8        |
| 29   | 73.66  | <del>5</del> 2 9        |
| 30   | 76.20  | <del>4</del> 3 0        |
| 31   | 78.74  | <del>4</del> 3 1        |
| 32   | 81.28  | <del>4</del> 3 2        |
| 33   | 83.82  | <del>4</del> 3 3        |
| 34   | 86.36  | <del>4</del> 3 4        |
| 35   | 88.90  | <del>4</del> 3 5        |
| 36   | 91.44  | <del>4</del> 3 6        |
| 37   | 93.98  | <del>4</del> 3 7        |
| 38   | 96.52  | <del>4</del> 3 8        |
| 39   | 99.06  | <del>4</del> 3 9        |
| 40   | 101.60 | <del>4</del> 4 0        |
| 41   | 104.14 | <del>4</del> 4 1        |
| 42   | 106.68 | <del>4</del> 4 2        |
| 43   | 109.22 | <del>4</del> 4 3        |
| 44   | 111.76 | <del>4</del> 4 4        |
| 45   | 114.30 | <del>4</del> 4 5        |
| 46   | 116.84 | <del>4</del> 4 6        |
| 47   | 119.38 | <del>4</del> 4 7        |
| 48   | 121.92 | <del>4</del> 4 8        |
| 49   | 124.46 | <del>4</del> 4 9        |
| 50   | 127.00 | <del>6</del> 5-827064-0 |



NOTES:

- ① Min. 2.5 μm Sn OVER 1.27 μm Ni
- 2 CONTACT PIN RETENTION Min. 10N
- ④ OBSOLETE
- ⑤ OBSOLETE PARTS: OBSOLETE CIS STREAMLINING PER D.RENAUD/D.SINISI
- ⑥ OBSOLETE

|              |          |             |          |
|--------------|----------|-------------|----------|
| ①            | CuSn     | CONTACT PIN | ②        |
| GREEN        | PBT      | PIN HEADER  | ①        |
| FINISH/COLOR | MATERIAL | DESCRIPTION | ITEM NUM |

RELEASED FOR PUBLICATION  
 FREI FÜR VERÖFFENTLICHUNG  
 ALL RIGHTS RESERVED.  
 THIS DRAWING IS UNPUBLISHED.  
 VERTRAULICHE UNVERÖFFENTLICHTE ZEICHNUNG.  
 COPYRIGHT - - By -

|  |                                       |               |                                    |           |                              |                          |
|--|---------------------------------------|---------------|------------------------------------|-----------|------------------------------|--------------------------|
| DIMENSIONS:<br>MASSENHEITEN<br>mm  | DWN                                   | 10.01.03      | MATERIAL                           | SEE TABLE | FINISH<br>OBERFLÄCHE/FARBE   | —                        |
|  | CHK                                   | 10.01.03      | TE Connectivity                    |           |                              |                          |
| TOLERANCES UNLESS<br>OTHERWISE SPECIFIED:<br>ALLGEMEINTOLERANZEN<br>±0.2mm | APVD                                  | —             |                                    |           |                              |                          |
|  | PRODUCT SPEC<br>PRODUKTSPEZ           | 108-18012     | SIZE                               | CAGE CODE | DRAWING NO<br>ZEICHNUNGS-NR. | RESTRICTED TO<br>NUR FÜR |
| 0 PLC ± -  | APPLICATION SPEC<br>VERARBEITUNGSSPEZ | 114-25011     | A4                                 | 00779     | C-827064                     | —                        |
| 1 PLC ± -  | WEIGHT<br>GEWICHT                     | 0.085g x POS. | CUSTOMER DRAWING / KUNDENZEICHNUNG |           |                              |                          |
| 2 PLC ± -  | SCALE                                 |               | 4:1                                | SHEET     | 1 OF 2                       | REV                      |
| 3 PLC ± -  | MASSTAB                               |               | 4:1                                | BLATT     | 1 VON 2                      | E3                       |
| 4 PLC ± -  | ANGLES / WINKEL                       |               | ± -                                |           |                              |                          |

4

3

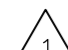
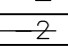
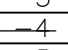
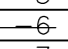
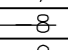
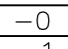
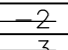
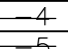
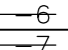
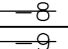
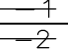
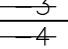
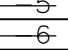
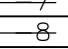
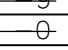
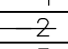
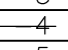
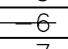
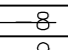
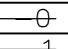
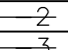
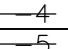
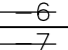
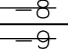
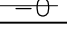






















2

1

THIS DRAWING IS UNPUBLISHED.  
VERTRAULICHE UNVERÖFFENTLICHTE ZEICHNUNG

RELEASED FOR PUBLICATION  
FREI FUER VERÖFFENTLICHUNG

ALL RIGHTS RESERVED.  
ALLE RECHTE VORBEHALTEN

| POS. | PIECES<br>N TUBE | PART-NO<br>LOOSE PIECE  | PART-NO<br>PACKED IN TUBE  |
|------|------------------|--|--|
| -    | -                | -  | -  |
| 2    | -                |                         | 2  |
| 3    | -                |                         | 3  |
| 4    | 52               |  827064                 | 5  827064 |
| 5    | -                |                         | 5  |
| 6    | -                |                         | 6  |
| 7    | -                |                         | 7  |
| 8    | -                |                         | 8  |
| 9    | -                |                         | 9  |
| 10   | -                | 1  | 0  |
| 11   | -                |                         | 1  |
| 12   | -                |                         | 2  |
| 13   | -                |                         | 3  |
| 14   | -                |                         | 4  |
| 15   | -                |                         | 5  |
| 16   | -                |                         | 6  |
| 17   | -                |                         | 7  |
| 18   | -                |                         | 8  |
| 19   | -                |                         | 9  |
| 20   | -                | 2  | 0  |
| 21   | -                |                         | 1  |
| 22   | -                |                        | 2  |
| 23   | -                |                       | 3  |
| 24   | -                |                       | 4  |
| 25   | -                |                       | 5  |
| 26   | -                |                       | 6  |
| 27   | -                |                       | 7  |
| 28   | -                |                       | 8  |
| 29   | -                |                       | 9  |
| 30   | -                |                       | 0  |
| 31   | -                |                       | 1  |
| 32   | -                |                       | 2  |
| 33   | -                |                       | 3  |
| 34   | -                |                       | 4  |
| 35   | -                |                       | 5  |
| 36   | -                |                       | 6  |
| 37   | -                |                       | 7  |
| 38   | -                |                       | 8  |
| 39   | -                |                       | 9  |
| 40   | -                |                       | 0  |
| 41   | -                |                       | 1  |
| 42   | -                |                       | 2  |
| 43   | -                |                       | 3  |
| 44   | -                |                       | 4  |
| 45   | -                |                       | 5  |
| 46   | -                |                       | 6  |
| 47   | -                |                       | 7  |
| 48   | -                |                       | 8  |
| 49   | -                |                       | 9  |
| 50   | -                |                       | 0  |

| LOC          | DIST | REVISIONS   |     |             | DATE | DWN | APVD |
|--------------|------|-------------|-----|-------------|------|-----|------|
| AI           | -    | P           | LTR | DESCRIPTION |      |     |      |
| PROJECT NO.: |      | SEE SHEET 1 |     |             |      |     |      |

4.7

575

40.05


3

2

1

NOTE

 OBSOLETE

|  |  |                                    |   |   |                           |
|--|--|------------------------------------|---|---|---------------------------|
| THIS DRAWING IS A CONTROLLED DOCUMENT.<br>DIESE ZEICHNUNG IST EIN KONTROLLIERTES DOKUMENT. |  | DWN<br>ZITZ, A.                    | 10.01.03                                |  TE Connectivity     |                           |
| DIMENSIONS:<br>MASSENHITEN<br>mm   |  | CHK<br>-                           | APVD<br>-                               | NAME<br>MODU II PIN HEADER, SINGLE ROW PACKED IN TUBE<br>MODU II Stiftleiste, einreihig, in Tube verpackt |                           |
| TOLERANCES UNLESS<br>OTHERWISE SPECIFIED:<br>ALLGEMEINTOLERANZEN                           |  | PRODUCT SPEC<br>PRODUKTSPEZ.       | APPLICATION SPEC.<br>VERARBEITUNGSSPEZ. | SIZE<br>A2  | CAGE CODE<br>00779        |
| MATERIAL   |  | WEIGHT<br>GEWICHT                  | SCALE<br>MASSTAB                        | DRAWING NO.<br>ZEICHNUNGS-NR.   | RESTRICTED TO<br>NUR FUER |
| FINISH / OBERFLAECHE / FARBE   |  | CUSTOMER DRAWING / KUNDENZEICHNUNG | 5:1                                     | 827064  | REV<br>E3                 |

1471-9 (3/11)

Downloaded From [Oneyac.com](http://Oneyac.com)

单击下面可查看定价，库存，交付和生命周期等信息

[>>TE Connectivity\(泰科\)](#)