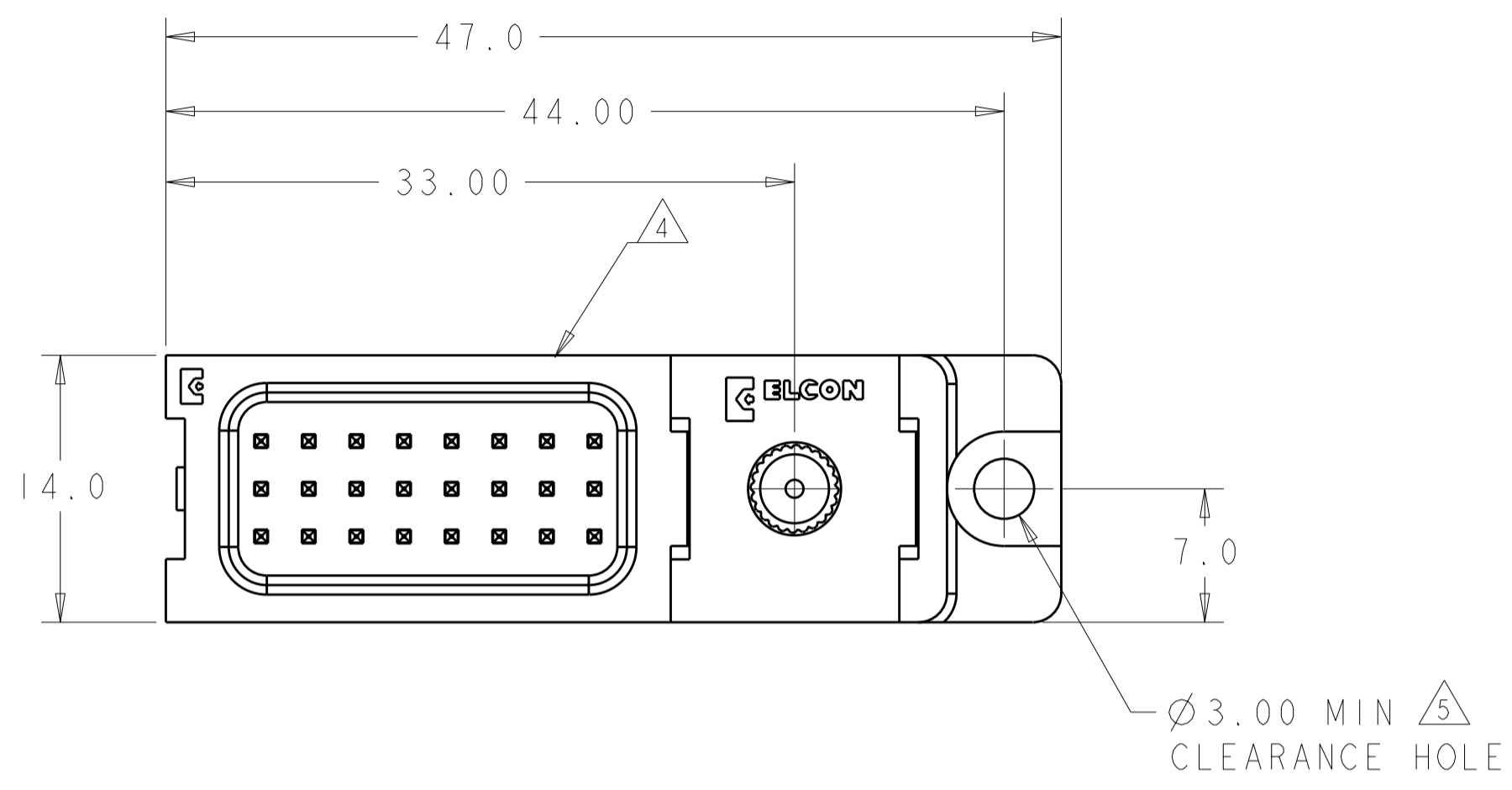


THIS DRAWING IS UNPUBLISHED. RELEASED FOR PUBLICATION 20  
 © COPYRIGHT 20 BY TYCO ELECTRONICS CORPORATION. ALL RIGHTS RESERVED.

LOC	DIST	REVISIONS			
P	LTR	DESCRIPTION	DATE	DWN	APVD
GP	00	A	RELEASED PER ECO-09-019917	01SEP2009	RG MS
		AI	REV PER ECO-09-021027	14SEP2009	RG MS



1. PART NUMBER CHANGES AND OR DESIGN CHANGES AFFECTING ITEM INTERCHANGEABILITY REQUIRE PRIOR TYCO ELECTRONICS APPROVAL AND AUTHORIZATION BY REVISION TO THIS DRAWING.

2 MATERIAL: INSULATORS - THERMOPLASTIC, GLASS REINFORCED, COLOR: BLACK  
 UL94V-0 FLAMMABILITY RATED.  
 SIGNAL CONTACTS-BERYLLIUM COPPER ALLOY  
 GUIDE PIN-BRASS ALLOY

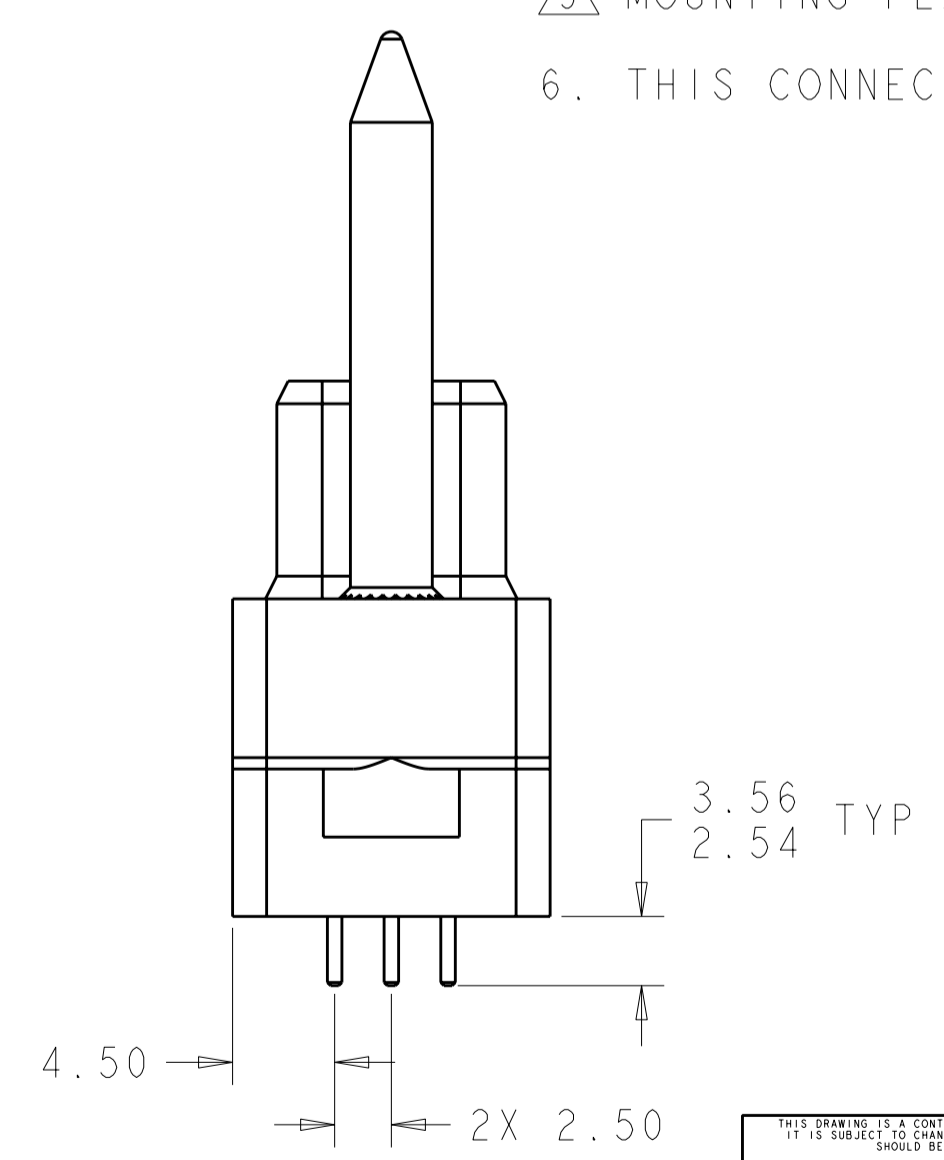
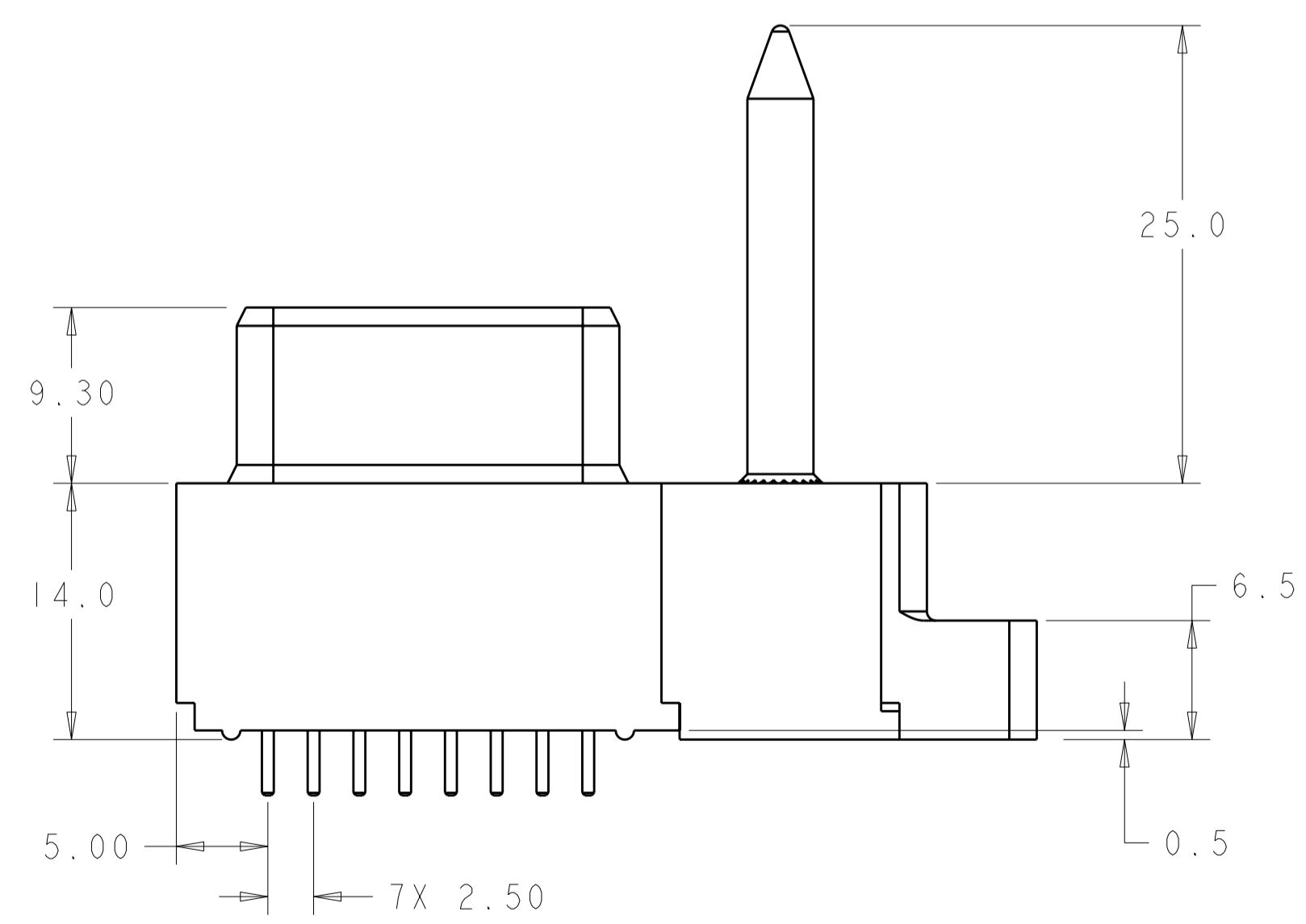
3 FINISH:  
 CONTACTS - GOLD PLATE .76µm MIN. THK., OVER NICKEL  
 1.27µm MIN. THK  
 SOLDER TAILS- TIN 3.05 MIN. THK. OVER NICKEL 1.27µm MIN THK.  
 GUIDE PIN - NICKEL PLATE 1.27µm MIN THK.

4 ITEMS PROVIDED TO THIS SPECIFICATION TO BE PERMANENTLY IDENTIFIED PER THE FOLLOWING IDENTIFIER LABEL

YEAR    WEEK     
 TYCO ELECTRONICS P/N DATE CODE (e.g. 0106)  
 XXXXXXXX-X XXXX

5 MOUNTING FLANGES ACCEPT #6 SCREWS. (USER SUPPLIED)

6. THIS CONNECTOR MATE WITH P/N 2085119-1

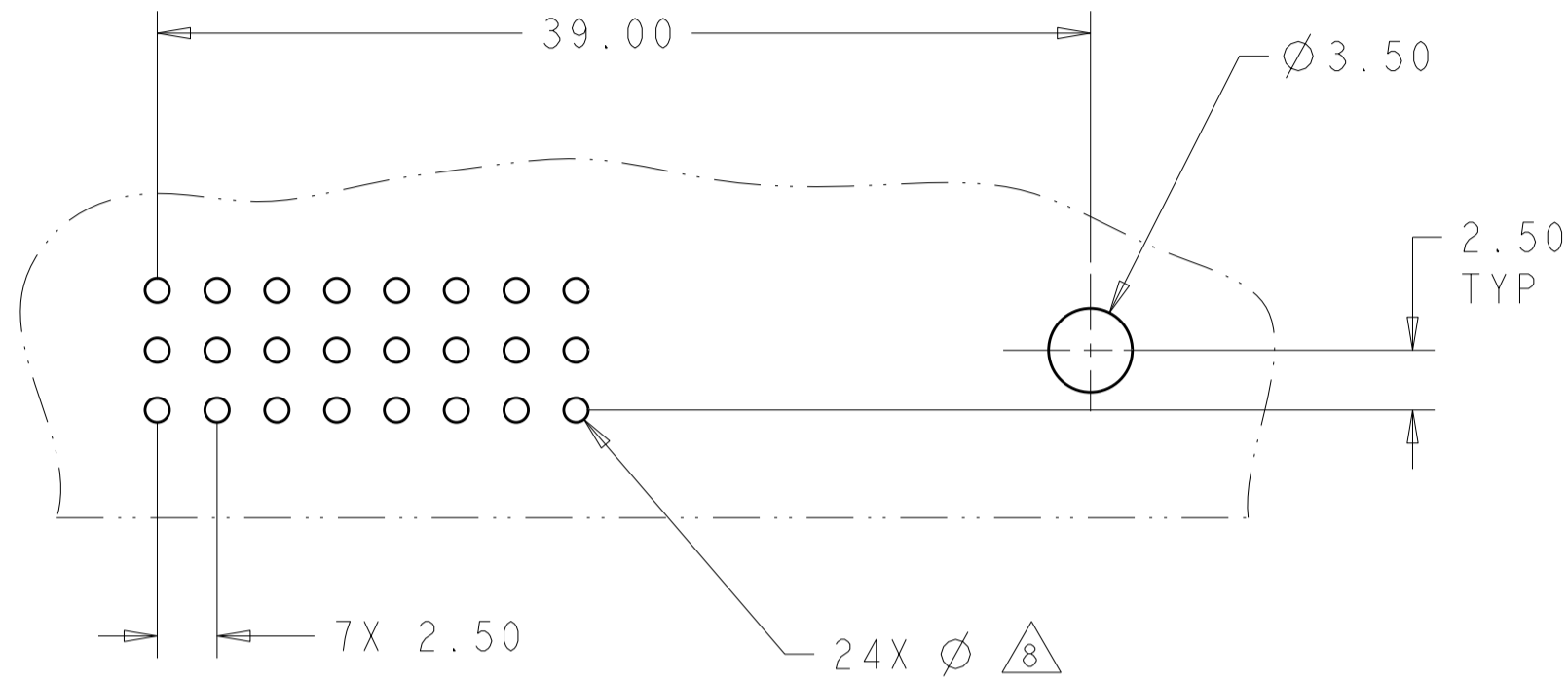


AS SHOWN	2085120-1
DESCRIPTION	PART NUMBER

THIS DRAWING IS A CONTROLLED DOCUMENT FOR TYCO ELECTRONICS CORPORATION. IT IS SUBJECT TO CHANGE AND THE CONTROLLING ENGINEERING ORGANIZATION SHOULD BE CONTACTED FOR THE LATEST REVISION.		DWN R. GRZYBOWSKI 28 JAN 2009	Tyco Electronics Harrisburg, PA 17105-3608	
DIMENSIONS: mm		CHK P. DAMATO 28 JAN 2009	NAME SOCKET CONNECTOR STRAIGHT, SOLDER TAILS FLATPAQ	
TOLERANCES UNLESS OTHERWISE SPECIFIED: 0 PLC ±.5 1 PLC ±.5 2 PLC ±.25 3 PLC ±. 4 PLC ±. ANGLES ±3 FINISH		APVD M. PERCHERKE 28 JAN 2009	PRODUCT SPEC -	RESTRICTED TO -
MATERIAL		APPLICATION SPEC -	WEIGHT -	SIZE A2
2		CUSTOMER DRAWING		CAGE CODE A200779
		DRAWING NO 2085120		SCALE 3:1
		SHEET 1 OF 3		REV A1

THIS DRAWING IS UNPUBLISHED. RELEASED FOR PUBLICATION 20  
 © COPYRIGHT 20 BY TYCO ELECTRONICS CORPORATION. ALL RIGHTS RESERVED.

LOC	DIST	REVISIONS					
GP	00	P	LTR	DESCRIPTION	DATE	DWN	APVD
		-		SEE SHEET 1			



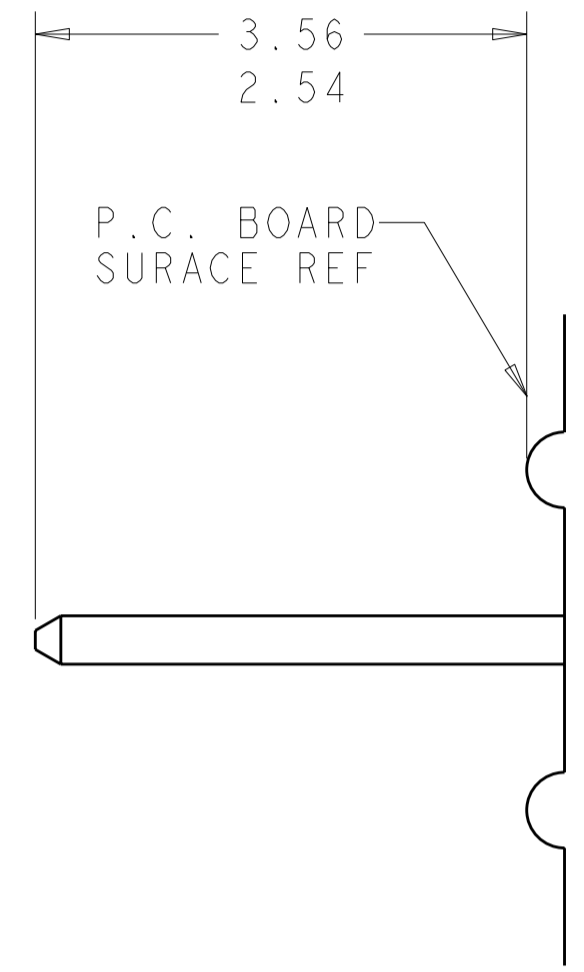
PRINTED CIRCUIT LAYOUT  
COMPONENT SIDE

CONNECTOR	CATALOG MODULE #	QTY	SIZE NO.	CONTACT QTY	MATING PIN	MAX. CURRENT (PER CONTACT)	CONTACT SPACING	VOLTAGE RATING
SOCKET	FP318	1	22	24	.64 SQ.	3 amps	2.50	125 VOLTS
	FP503	1	STRAIGHT GUIDE PIN, PASSIVE					
	FP501	1	MOUNTING FLANGE, RIGHT					

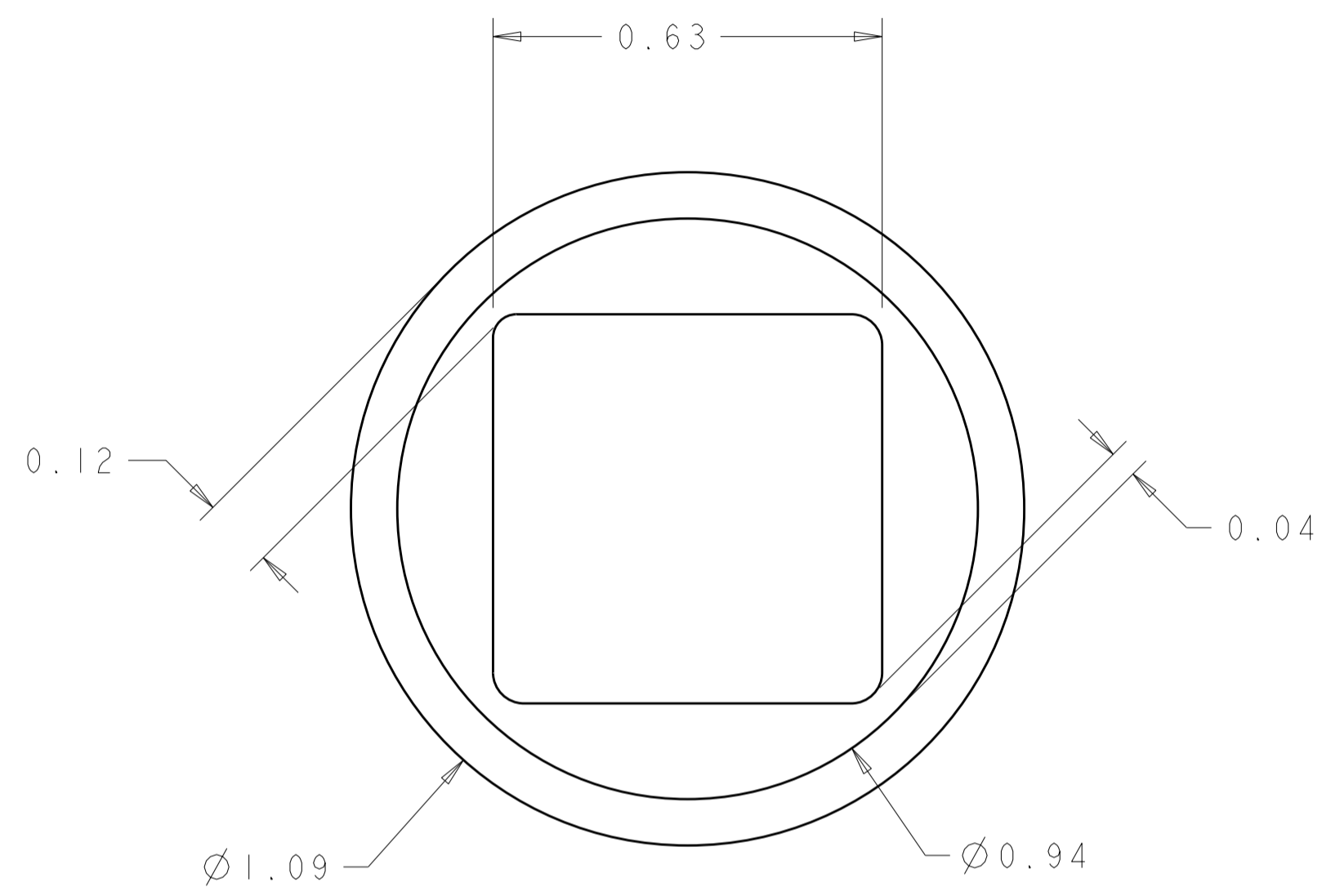
<small>THIS DRAWING IS A CONTROLLED DOCUMENT FOR TYCO ELECTRONICS CORPORATION. IT IS SUBJECT TO CHANGE AND THE CONTROLLING ENGINEERING ORGANIZATION SHOULD BE CONTACTED FOR THE LATEST REVISION.</small>		DWN 28 JAN 2009 R. GRZYBOWSKI CHK 28 JAN 2009 P. DAMATO APVD 28 JAN 2009 M. PERCHERKE	Tyco Electronics Harrisburg, PA 17105-3608
DIMENSIONS: mm 	TOLERANCES UNLESS OTHERWISE SPECIFIED: 0 PLC ±.5 1 PLC ±.5 2 PLC ±.25 3 PLC ±. 4 PLC ±. ANGLES ±3 FINISH	PRODUCT SPEC APPLICATION SPEC WEIGHT	NAME SOCKET CONNECTOR STRAIGHT, SOLDER TAILS FLATPAQ SIZE CAGE CODE DRAWING NO RESTRICTED TO A200779 C-2085120 -
MATERIAL		CUSTOMER DRAWING	SCALE 3:1 SHEET 2 OF 3 REV A1

THIS DRAWING IS UNPUBLISHED. RELEASED FOR PUBLICATION 20  
 © COPYRIGHT 20 BY TYCO ELECTRONICS CORPORATION. ALL RIGHTS RESERVED.

LOC	DIST	REVISIONS			
P	LTR	DESCRIPTION	DATE	DWN	APVD
GP	00	-	SEE SHEET 1	-	-



7. SOLDER PIN DETAIL  
SCALE 10 : 1



△ SOLDER TERMINATION AREA  
SCALE 40:1  
RECOMMENDED PRINTED CIRCUIT SOLDER HOLE  
FINISHED HOLE: Ø1.02 ±.08  
DRILLED HOLE: Ø1.15 ±.013  
COPPER PLATE: .025 MIN  
TIN PLATE: .008 MIN. (PER SURFACE)

**ELCON** **FLATPAQ**

THIS DRAWING IS A CONTROLLED DOCUMENT FOR TYCO ELECTRONICS CORPORATION. IT IS SUBJECT TO CHANGE AND THE CONTROLLING ENGINEERING ORGANIZATION SHOULD BE CONTACTED FOR THE LATEST REVISION.		DWN R. GRZYBOWSKI 28 JAN 2009	Tyco Electronics Harrisburg, PA 17105-3608	
DIMENSIONS: mm		CHK P. DAMATO 28 JAN 2009	NAME SOCKET CONNECTOR STRAIGHT, SOLDER TAILS FLATPAQ	
TOLERANCES UNLESS OTHERWISE SPECIFIED: 0 PLC ±.5 1 PLC ±.5 2 PLC ±.25 3 PLC ±. 4 PLC ±. ANGLES ±3 FINISH		APVD M. PERCHERKE 28 JAN 2009	PRODUCT SPEC -	RESTRICTED TO -
MATERIAL -		APPLICATION SPEC -	WEIGHT -	SIZE A200779
		CUSTOMER DRAWING	SCALE 3:1	DRAWING NO C-2085120
			SHEET 3 OF 3	REV A1

单击下面可查看定价，库存，交付和生命周期等信息

[>>TE Connectivity\(泰科\)](#)