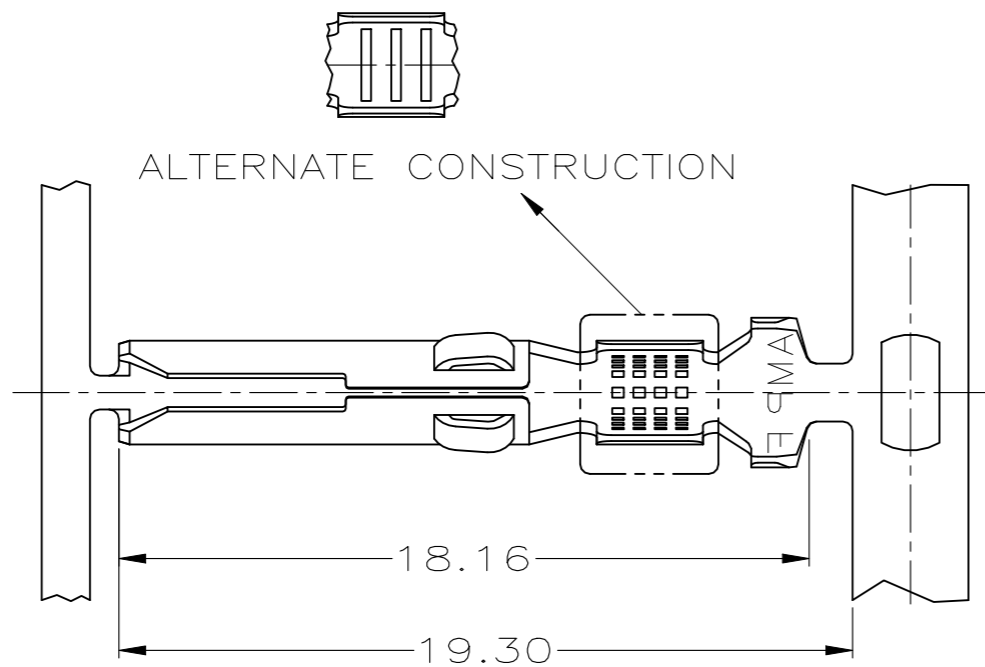
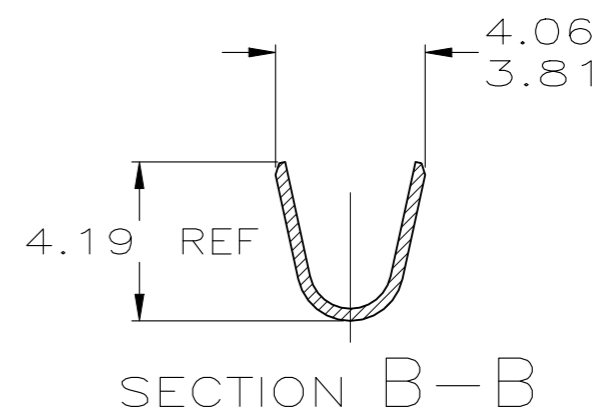
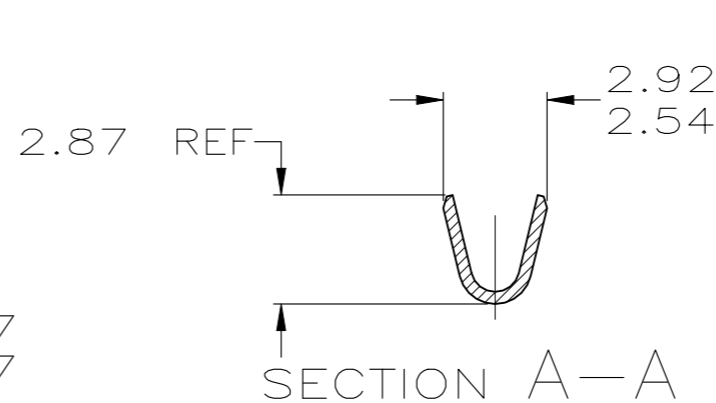
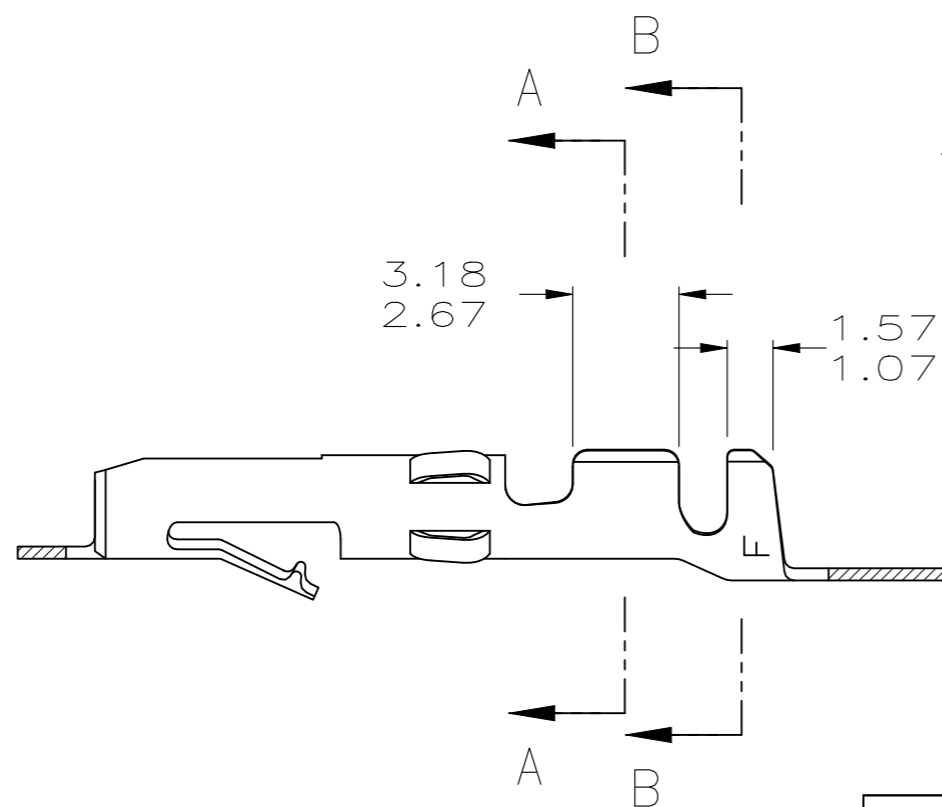


P	LTR	DESCRIPTION	DATE	DWN	APVD
	H1	REVISED PER ECR-21-101087	07MAY2021	PJ	VS



1. WIRE RANGE: 0.3 - 0.9 mm<sup>2</sup> (22 - 18 AWG)
2. INSULATION RANGE: 2.16 - 2.67



19.30	.760
18.16	.715
4.19	.165
4.06	.160
3.81	.150
3.18	.125
2.92	.115
2.87	.113
2.67	.105
2.54	.100
2.16	.085
1.57	.062
1.07	.042
0.32	.013
0.13	.005
MM	IN
CONVERSION TABLE	

METRIC

OBSOLETE	-60951-4
	60951-3
OBSOLETE	-60951-2
OBSOLETE	-60951-1
	PART NUMBER

THIS DRAWING IS A CONTROLLED DOCUMENT.		DWN T. BECK 20-OCT-98	<b>AMP</b> AMP Incorporated Harrisburg, PA 17105-3608				
DIMENSIONS: mm		CHK R. SWING 20-OCT-98					
TOLERANCES UNLESS OTHERWISE SPECIFIED:		APVD C. MARTIN 20-OCT-98	NAME SOCKET, AUTOMOTIVE MATE-N-LOK™				
0 PLC ±-		PRODUCT SPEC					
1 PLC ±-		APPLICATION SPEC	SIZE A3	CAGE CODE 00779	DRAWING NO C- 60951	RESTRICTED TO	
2 PLC ±0.13		WEIGHT -	CUSTOMER DRAWING		SCALE 5:1	SHEET 1 OF 1	REV H1
3 PLC ±-							
4 PLC ±-							
ANGLES ±-							
FINISH PRE-TIN							

单击下面可查看定价，库存，交付和生命周期等信息

[>>TE Connectivity\(泰科\)](#)