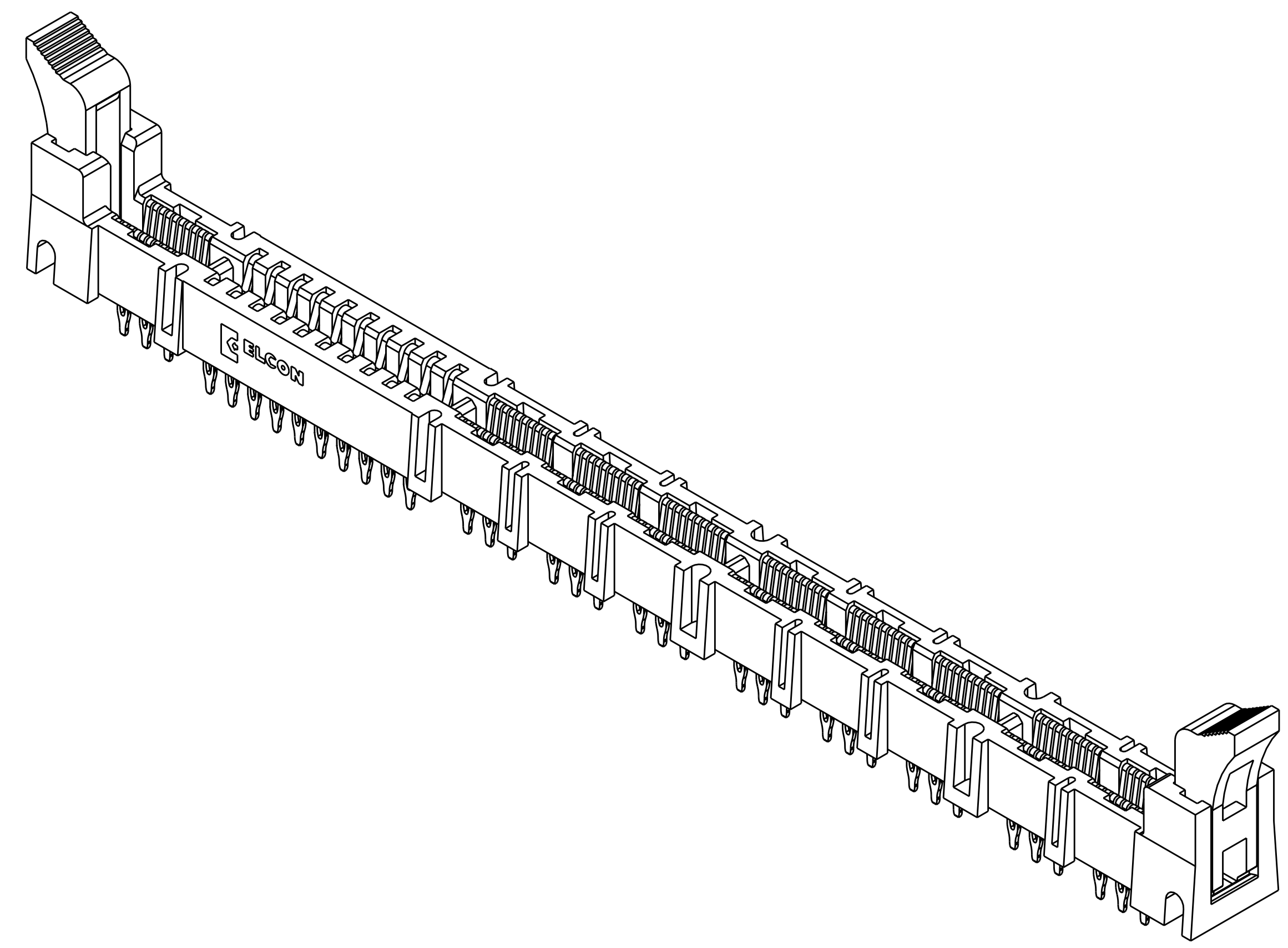


LOC	DIST	REV	DATE	BY	APPD
-	-	E	19JAN2009	CR	PD



- PART NUMBER CHANGES AND OR DESIGN CHANGES AFFECTING ITEM INTERCHANGEABILITY REQUIRE PRIOR TYCO ELECTRONICS APPROVAL AND AUTHORIZATION BY REVISION TO THIS DRAWING.
- MATERIAL:  
 INSULATORS: THERMOPLASTIC, GLASS REINFORCED  
 UL94V-0 FLAMMABILITY RATED.  
 CONTACTS: COPPER ALLOY
- FINISHES:  
 CONTACT PLATING: SELECTIVE GOLD: 0.76µm MIN THK  
 OVER NICKEL: 1.27µm MIN THK  
 PCB TERMINATION: TIN PLATED, MATTE FINISH: 1.78µm MIN THK  
 OVER NICKEL: 1.27µm MIN THK

4. CONNECTOR ACCEPTS 2.36±0.13 THK PCB.

- ⚠ KEEP OUT AREA FOR COMPONENTS ONLY.
- ⚠ FEATURE REQUIRED FOR USE WITH LATCH.
- ⚠ CAUTION:  
 LATCHES ARE INTENDED FOR RETENTION OF PC BOARD TO CONNECTOR.  
 DO NOT ATTEMPT TO FULLY EJECT PC BOARD FROM CONNECTOR WHILE  
 DISENGAGING LATCHES, DAMAGE TO LATCHES AND OR CONNECTOR MAY OCCUR.

⚠ RECOMMENDED GOLD FINGER LENGTH FOR RELIABLE CONTACT.

9. A REFERENCE DIMENSION (X.XX) IS WITHOUT TOLERANCE AND USED FOR INFORMATION PURPOSE ONLY.

10. ITEMS PROVIDED TO THIS SPECIFICARION TO BE PERMANENTLY IDENTIFIED PER THE FOLLOWING IDENTIFIER:

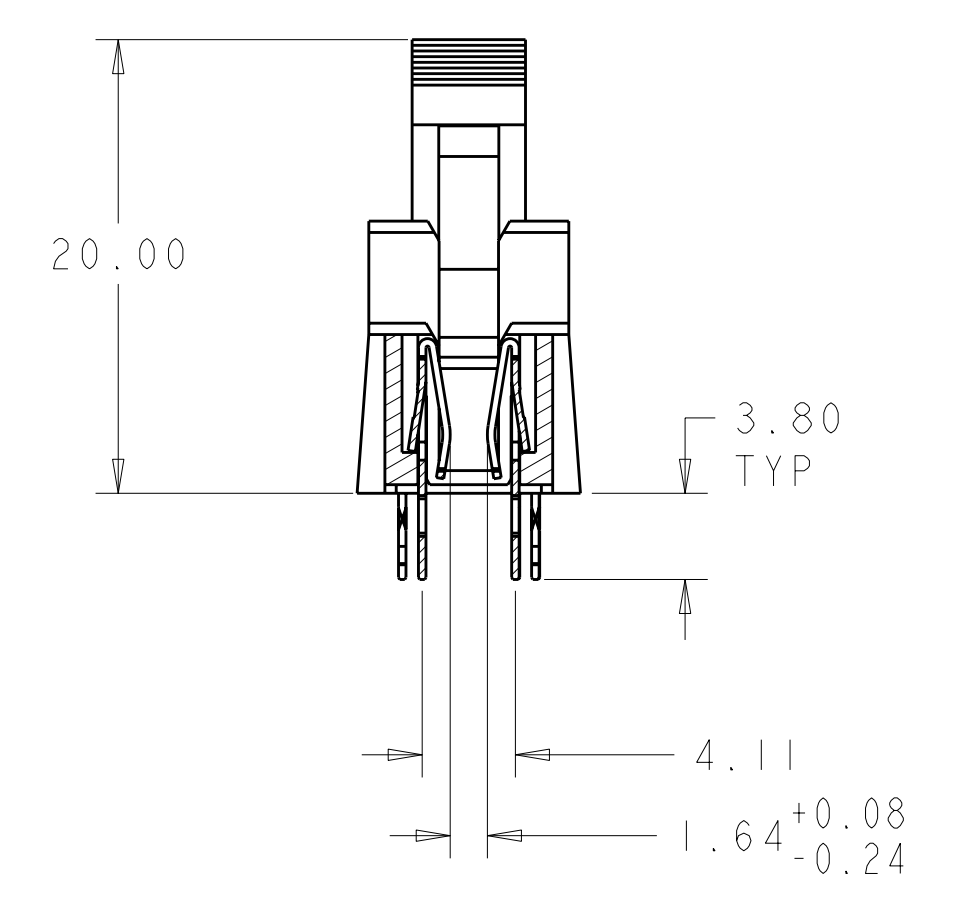
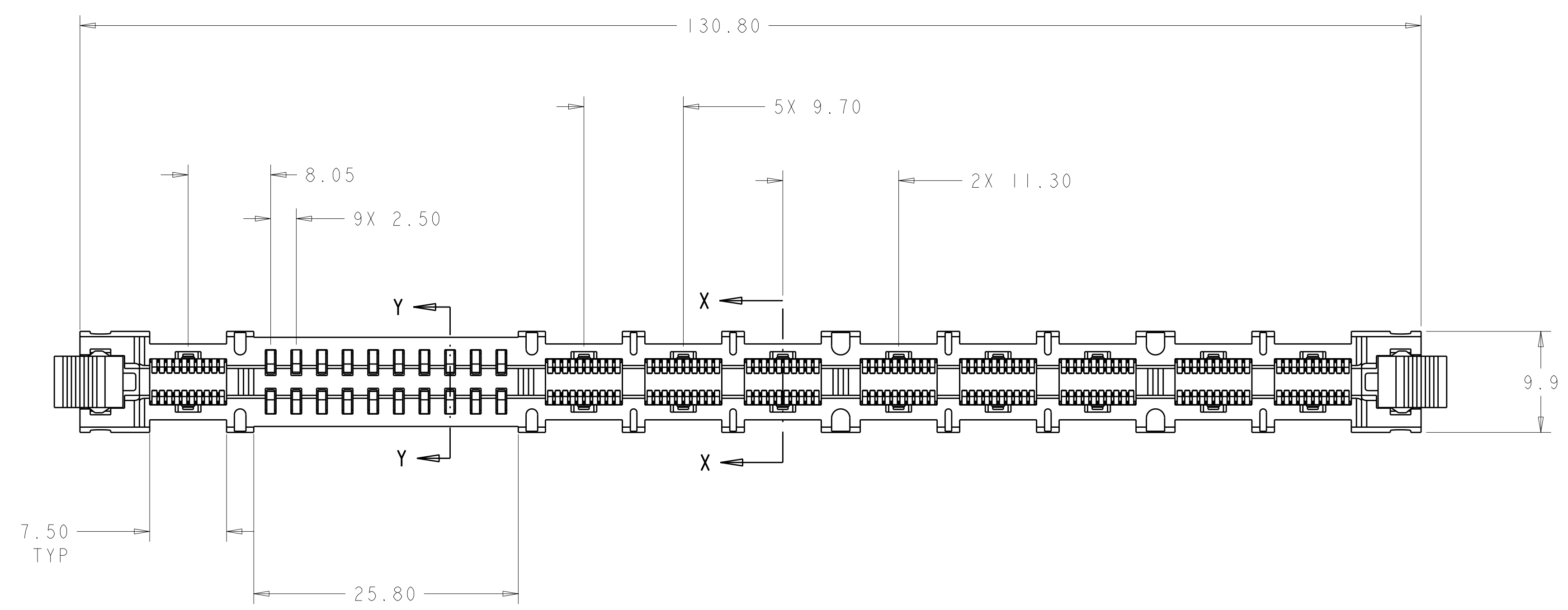


11. REFERENCE TYCO ELECTRONICS PN 1766443-1

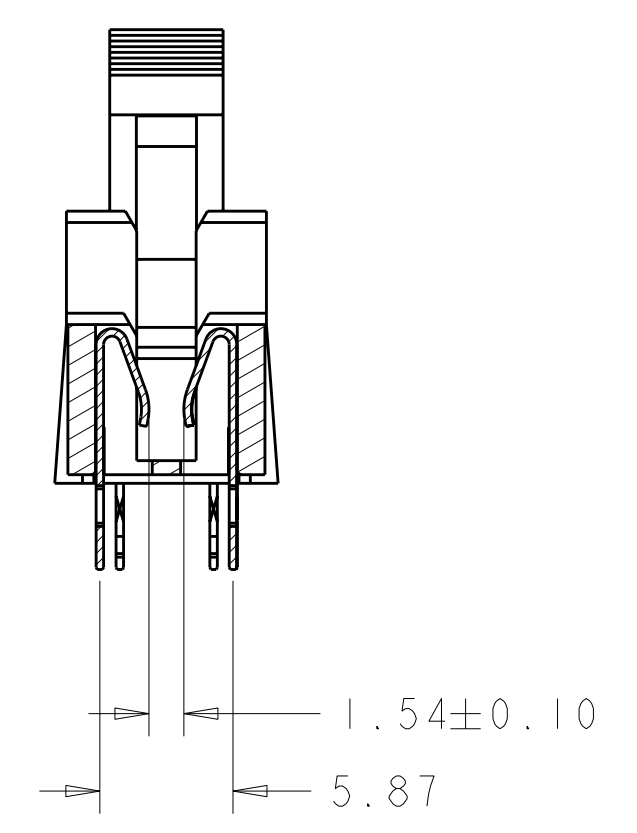
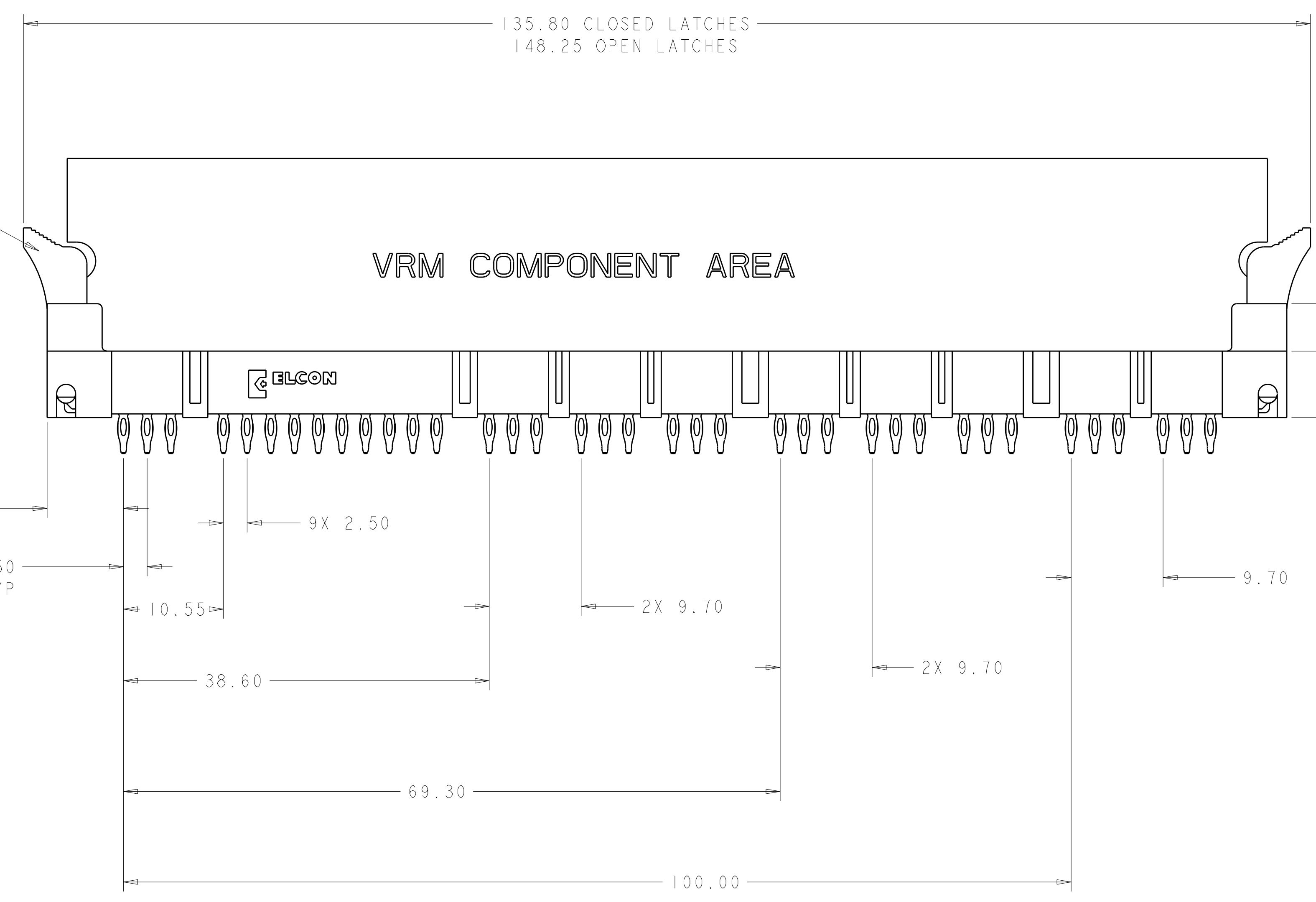
- ⚠ RECOMMENDED PRINTED CIRCUIT HOLE:  
 FINISHED HOLE: Ø1.02±0.08  
 DRILLED HOLE: Ø1.15±0.013  
 COPPER PLATE: 0.025 MINIMUM (PER SURFACE)  
 TIN PLATE: 0.008 MINIMUM (PER SURFACE)

<small>THIS DRAWING IS UNPUBLISHED. RELEASED FOR PUBLICATION BY TYCO ELECTRONICS CORPORATION. ALL RIGHTS RESERVED.</small>		DWN: C. ROHLER 19JAN2009 CHK: P. DAMATO 19JAN2009 APPD: M. PERCHERKE 19JAN2009	Tyco Electronics Harrisburg, PA 17105-3608
DIMENSIONS: mm 	TOLERANCES UNLESS OTHERWISE SPECIFIED: 0 PLC ±.5 1 PLC ±.5 2 PLC ±.25 3 PLC ±.5 4 PLC ±.5 ANGLES ±.5 FINISH	NAME: MC-P9S10 MINI CROWNEDGE SOCKET CONNECTOR, COMPLIANT TAIL PRODUCT SPEC: APPLICATION SPEC: WEIGHT: CUSTOMER DRAWING	SIZE: A CAGE CODE: 100779 DRAWING NO: C-1766443 RESTRICTED TO:
SCALE: 3:1		SHEET: 1 OF 4	REV: E

LOC	DIST	REV	DATE	BY	APPD
-	-	1	-	-	-
DESCRIPTION			DATE	DWN	APPD
SEE SHEET 1			-	-	-



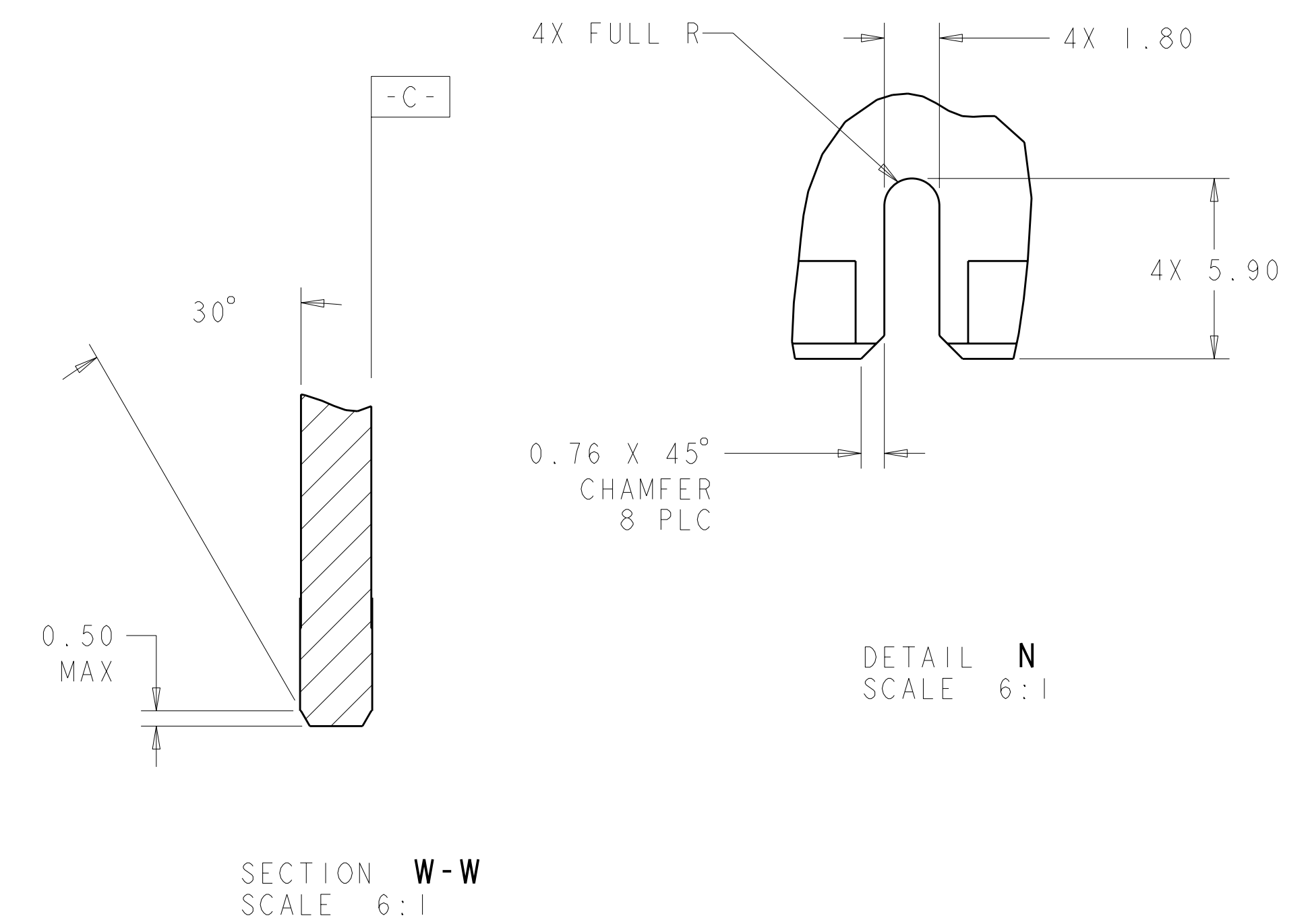
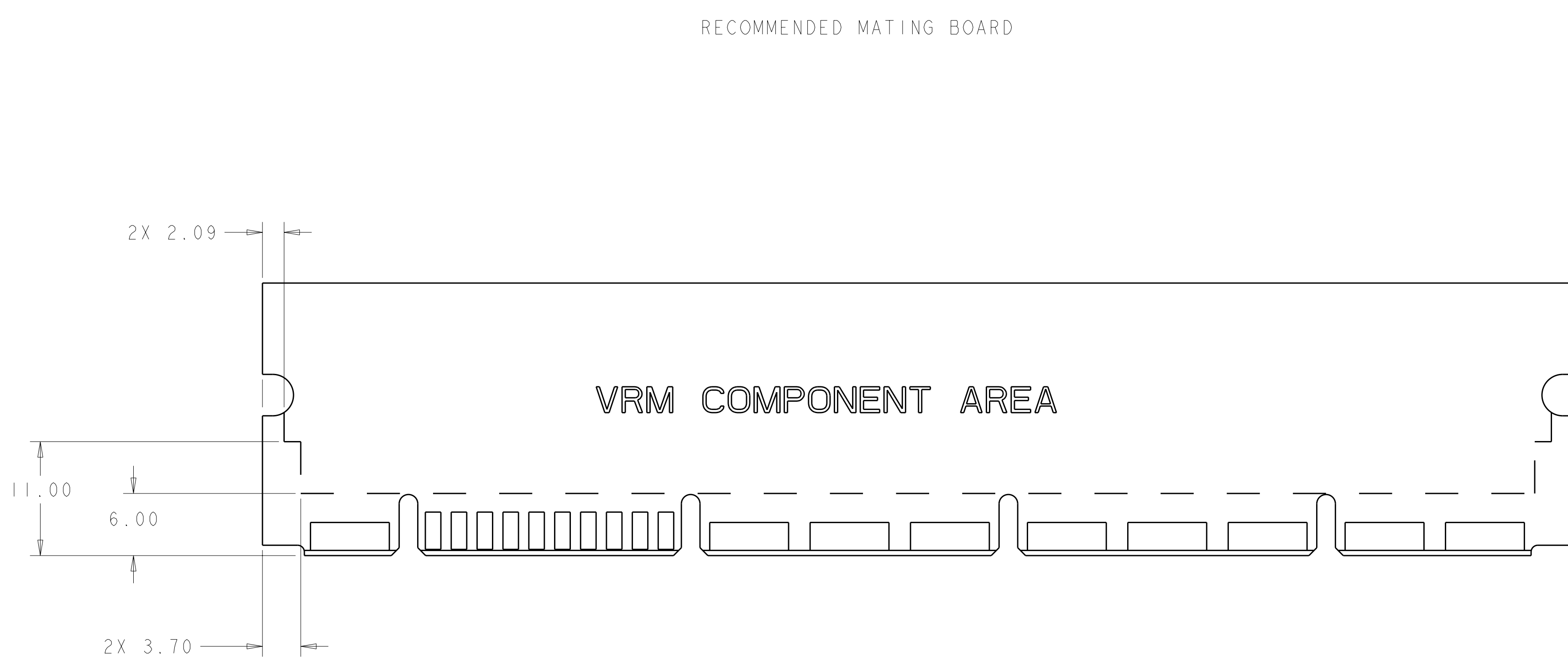
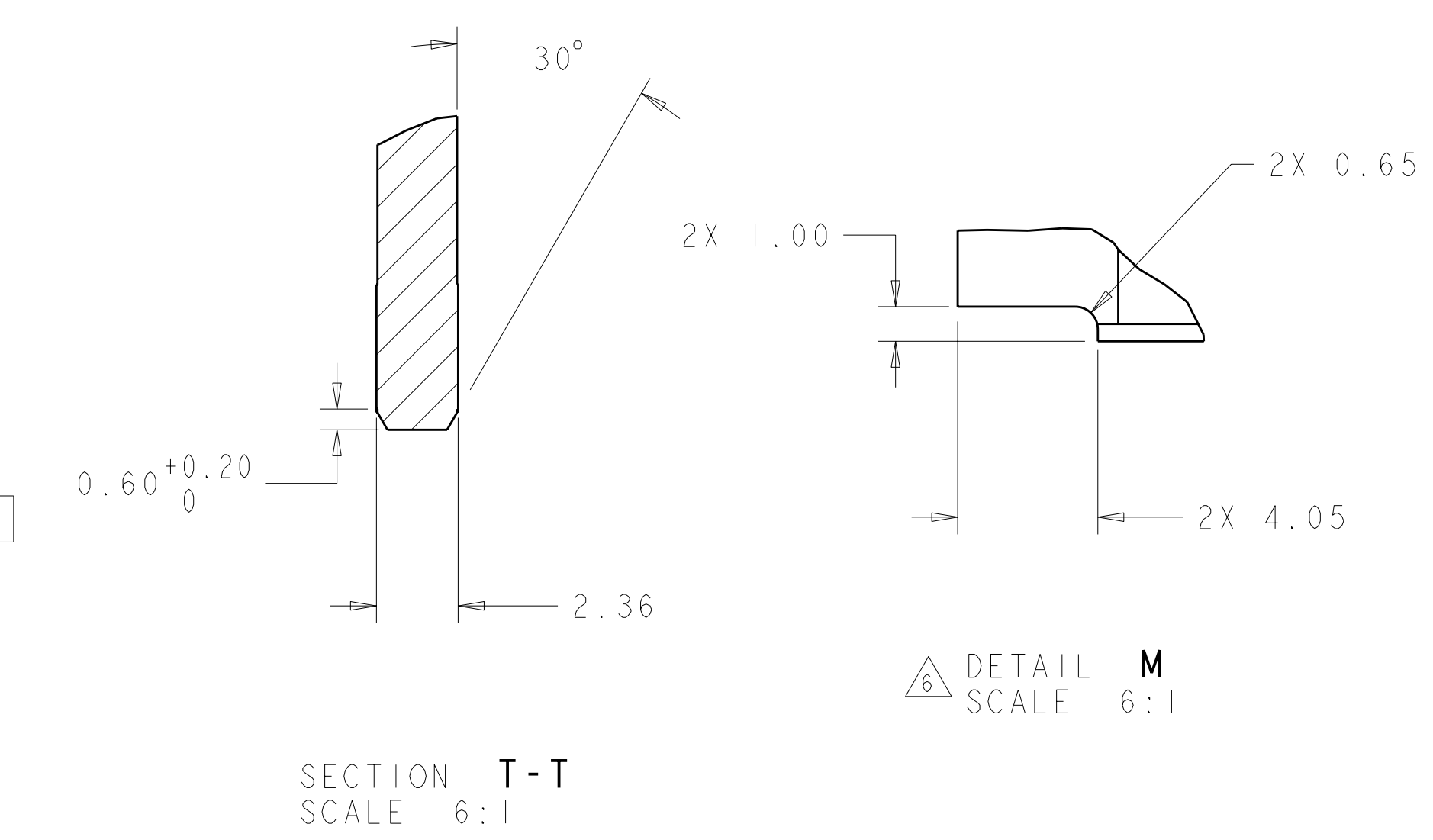
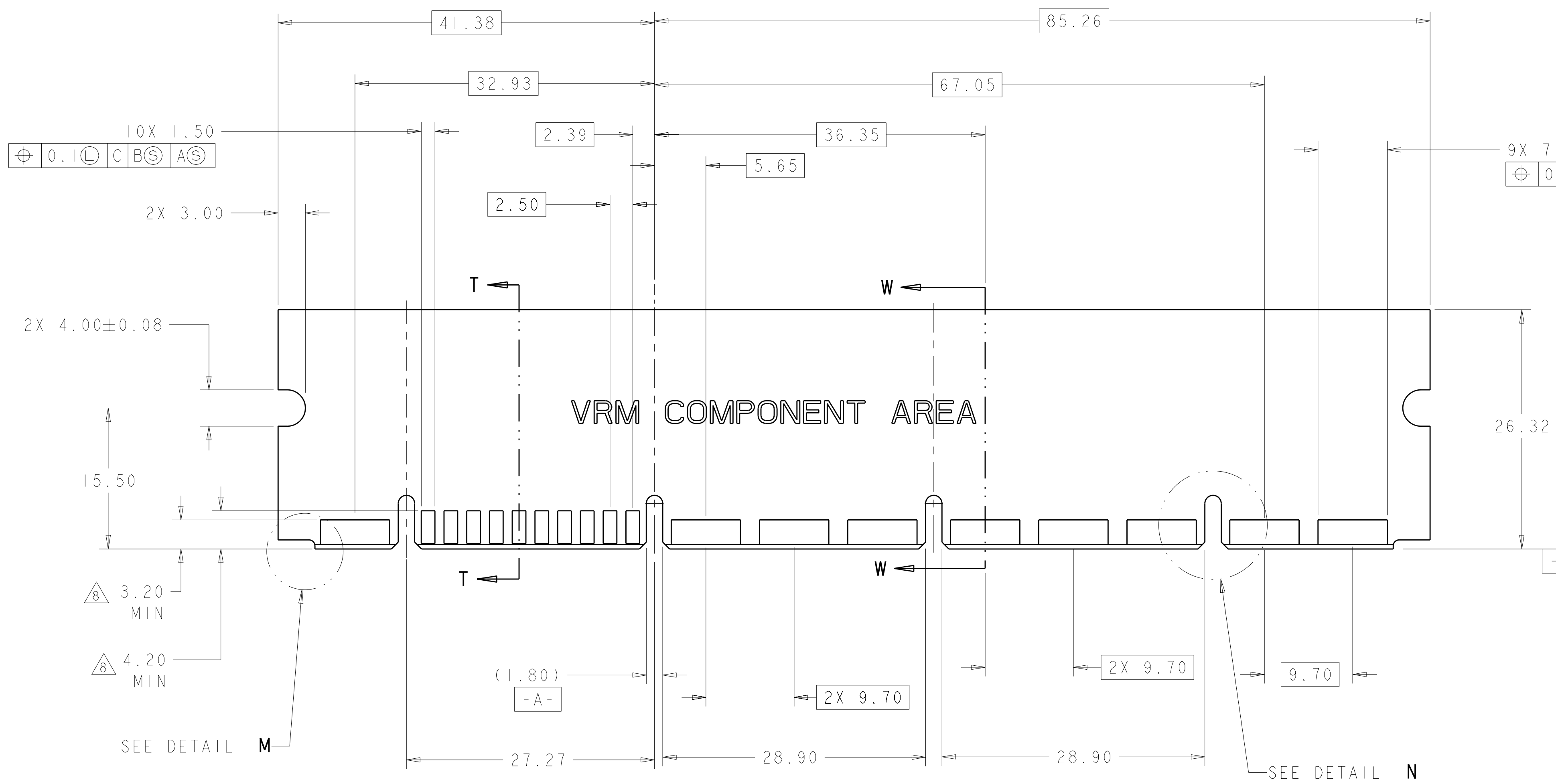
SECTION X-X  
 ROTATED 90° CW



SECTION Y-Y  
 ROTATED 90° CW

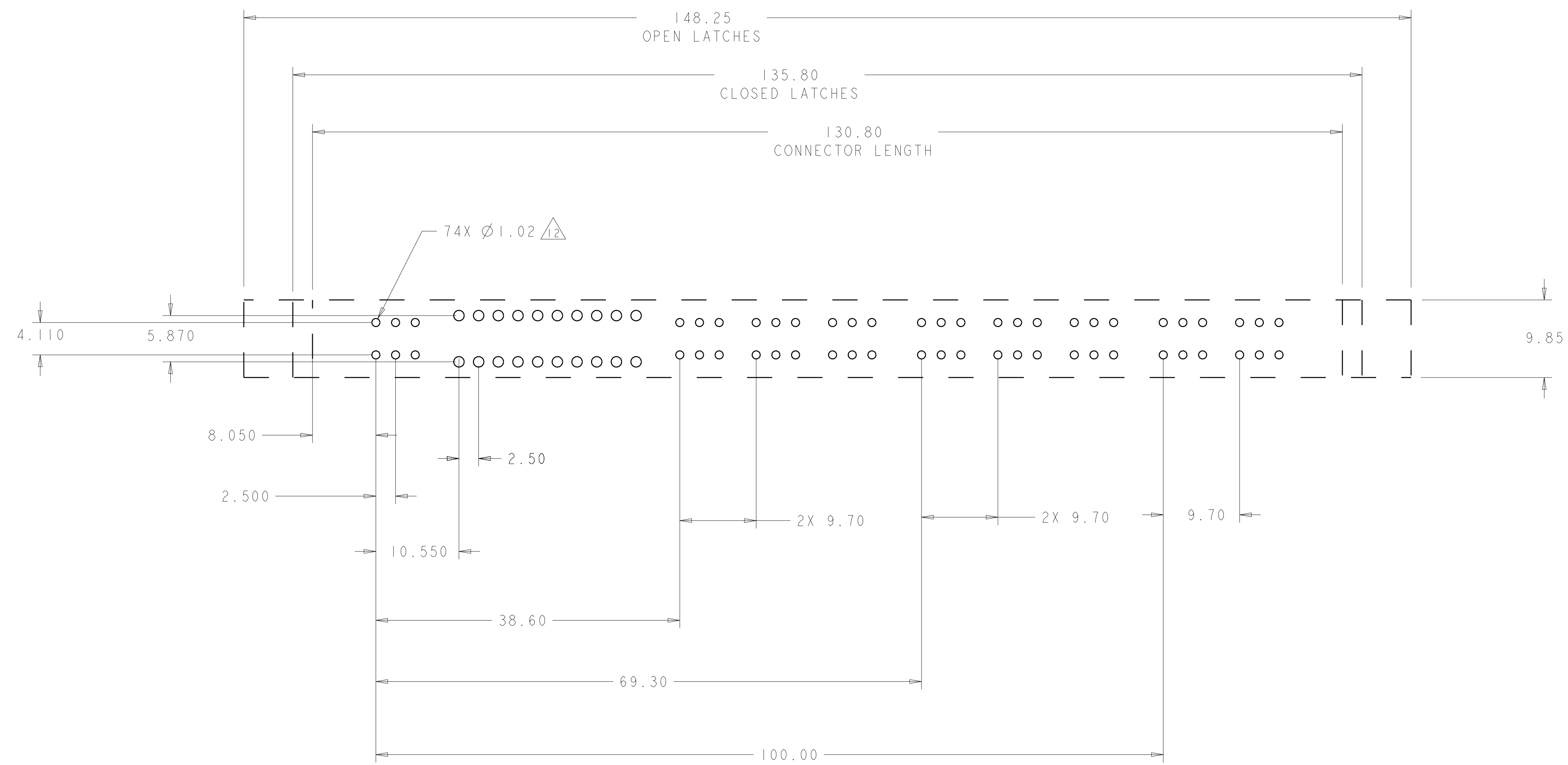
<small>THIS DRAWING IS UNPUBLISHED. RELEASED FOR PUBLICATION BY TYCO ELECTRONICS CORPORATION. ALL RIGHTS RESERVED.</small>		DWN: C. ROHLER 19JAN2009 CHK: P. DAMATO 19JAN2009 APPD: M. PERCHERKE 19JAN2009	Tyco Electronics Harrisburg, PA 17105-3608
DIMENSIONS: mm 	TOLERANCES UNLESS OTHERWISE SPECIFIED: 9 PLC ±.5 1 PLC ±.5 2 PLC ±.25 3 PLC ±.5 4 PLC ±.5 ANGLES ±.5 FINISH -	NAME: MC-P9S10 MINI CROWNEDGE SOCKET CONNECTOR, COMPLIANT TAIL PRODUCT SPEC - APPLICATION SPEC - WEIGHT - CUSTOMER DRAWING	SIZE: A CAGE CODE: 100779 DRAWING NO: C-1766443 RESTRICTED TO: - SCALE: 3:1 SHEET: 2 OF 4 REV: E

LOC	DIST	REV	DATE	BY	APPD
-	-	1	-	-	-
DESCRIPTION			DATE	DWN	APPD
SEE SHEET 1			-	-	-



DIMENSIONS: mm 		TOLERANCES UNLESS OTHERWISE SPECIFIED: 9 PLC ±.5 1 PLC ±.5 2 PLC ±.25 5 PLC ±.5 4 PLC ±.5 ANGLES ±.5 FINISH		DWN C. ROHLER 19JAN2009 CHK P. DAMATO 19JAN2009 APPD M. PERCHERKE 19JAN2009		Tyco Electronics Harrisburg, PA 17105-3608	
MATERIAL: - FINISH: -		WEIGHT: - CUSTOMER DRAWING		NAME: MC-P9S10 MINI CROWNEDGE SOCKET CONNECTOR, COMPLIANT TAIL SIZE: A100779 CAGE CODE: C=1766443		RESTRICTED TO: - SCALE: 3:1 SHEET 3 OF 4 REV E	

LOC	DIST	REV	DATE	BY	APPD
-	-	1	19JAN2009	C. ROHLER	
-	-	2	19JAN2009	P. DAMATO	
-	-	3	19JAN2009	M. PERCHERKE	



RECOMMENDED PCB LAYOUT

DIMENSIONS: mm 		TOLERANCES UNLESS OTHERWISE SPECIFIED: 0 PLC ±.5 1 PLC ±.5 2 PLC ±.25 3 PLC ±.5 4 PLC ±.5 ANGLES ±.5 FINISH -		DWN C. ROHLER 19JAN2009 CHK P. DAMATO 19JAN2009 APVD M. PERCHERKE 19JAN2009 PRODUCT SPEC - APPLICATION SPEC - WEIGHT - CUSTOMER DRAWING		Tyco Electronics Harrisburg, PA 17105-3608 NAME MC-P9S10 MINI CROWNEDGE SOCKET CONNECTOR, COMPLIANT TAIL SIZE A100779 C=1766443 SCALE 3:1 SHEET 4 OF 4 REV E	
-----------------------	--	--	--	---	--	--	--

单击下面可查看定价，库存，交付和生命周期等信息

[>>TE Connectivity\(泰科\)](#)