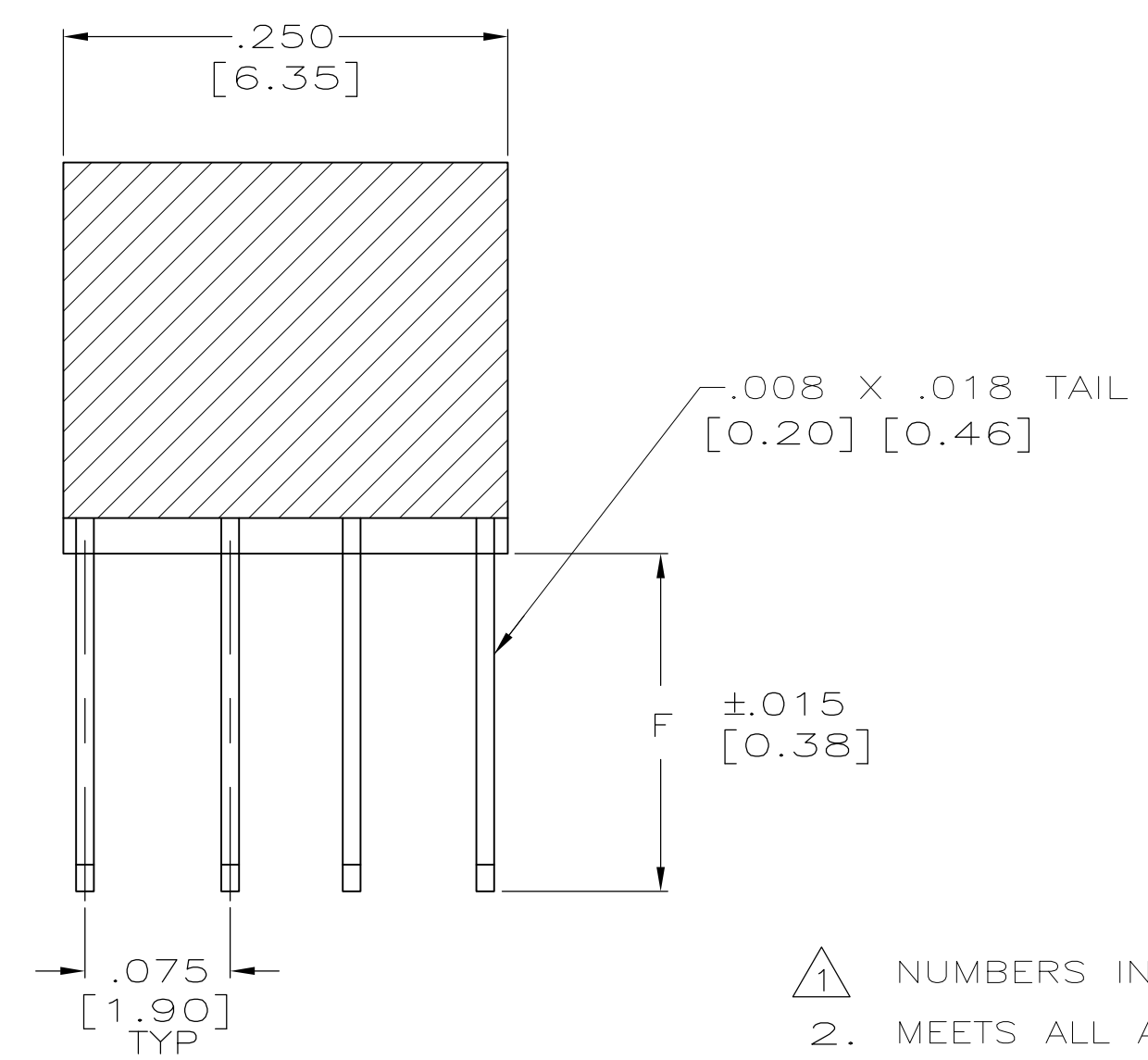
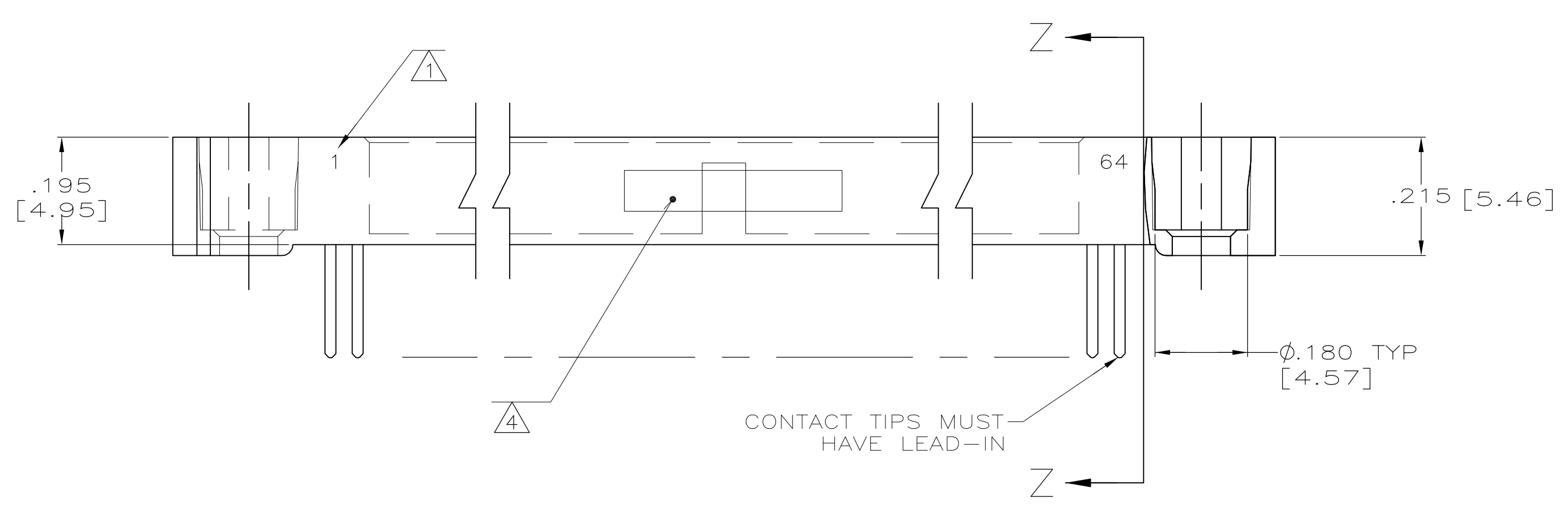
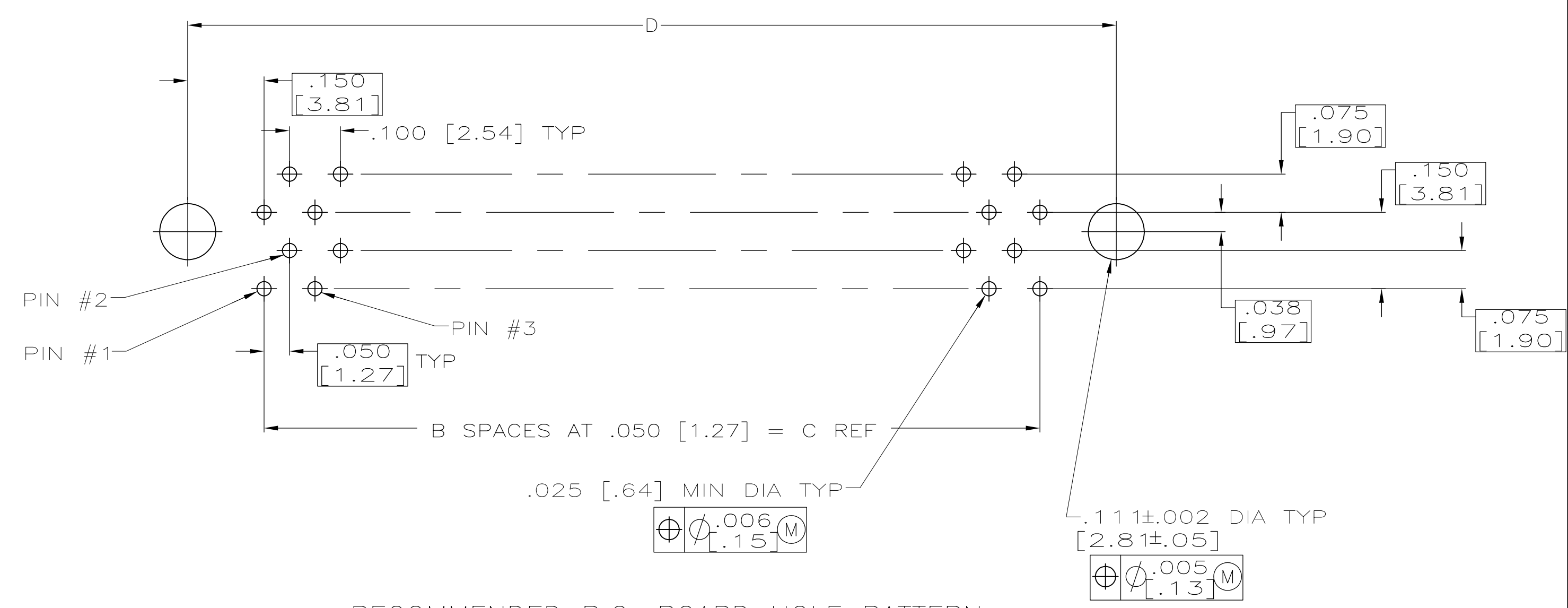
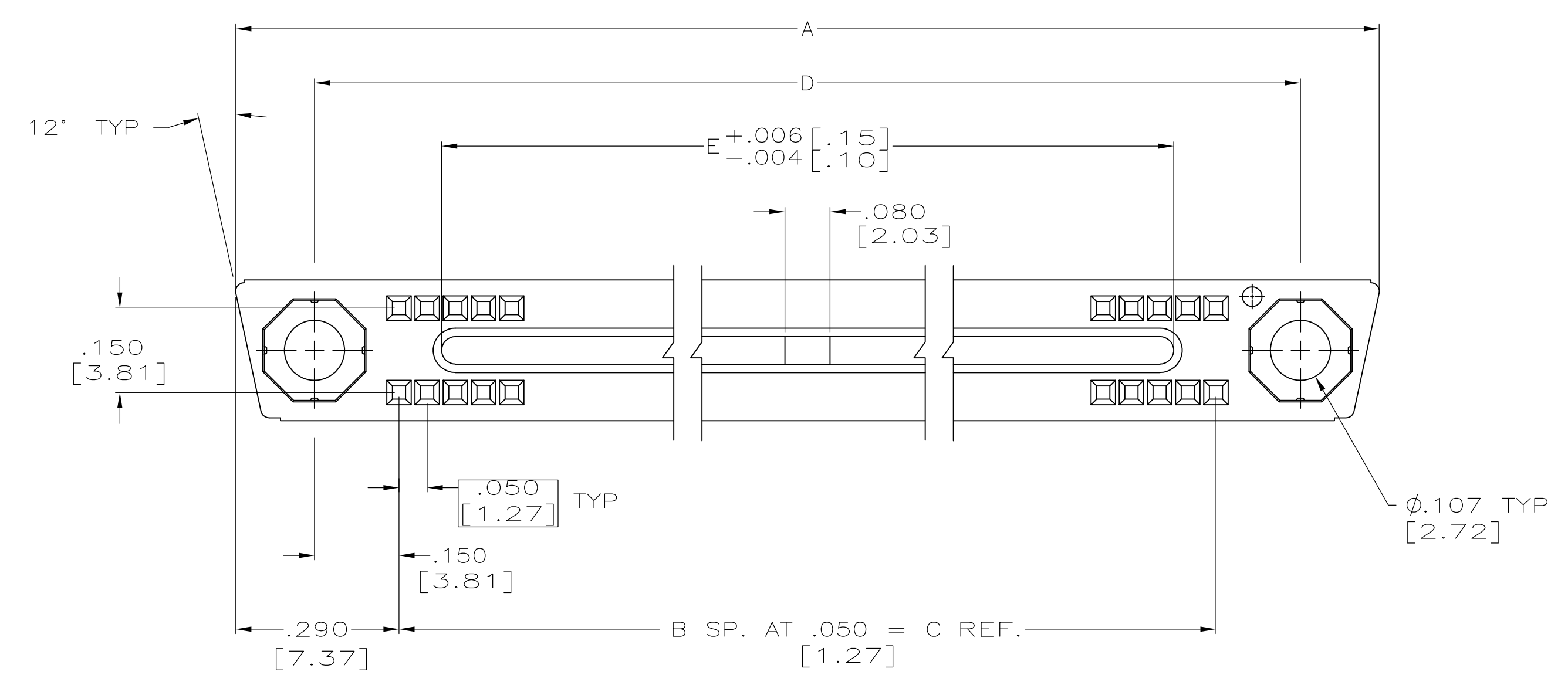


REVISIONS					
P	LTR	DESCRIPTION	DATE	DMN	APVD
J		REVISED PER ECO-16-017894	27APR2017	PHM	CT



- 1 NUMBERS INDICATING END POSITIONS MARKED THIS SIDE ONLY.
- 2. MEETS ALL APPLICABLE REQUIREMENTS OF MIL-C-55302.
- 3 HOUSING MATERIAL: LIQUID CRYSTAL POLYMER PER MIL-M-24519, GLCP-30F; COLOR: GRAY.
- 4 AMP, 00779, PART NUMBER, MILITARY PART NUMBER AND DATE CODE MARKED IN THIS APPROXIMATE AREA.
- 5 EPOXY SEALANT APPLIED TO BOTTOM OF CONNECTOR.
- 6 UNSEALED.

SECTION Z-Z
SCALE 10:1

REMARKS	MILITARY P/N	CAVITY ID	F	E	D	C	B	A	POSN.	PART NO
6	M55302/119-13	1 - 55	.300 [7.62]	2.550 [64.77]	3.000 [76.20]	2.700 [68.58]	54	3.290 [83.57]	110	530747-6
	M55302/119-12	1 - 50	.300 [7.62]	2.300 [58.42]	2.750 [69.85]	2.450 [62.23]	49	3.040 [77.22]	100	530747-5
5	M55302/119-14	1 - 64	.190 [4.83]	3.000 [76.20]	3.450 [87.63]	3.150 [80.01]	63	3.740 [95.00]	128	530747-4
	M55302/119-13	1 - 55	.300 [7.62]	2.550 [64.77]	3.000 [76.20]	2.700 [68.58]	54	3.290 [83.57]	110	530747-3
	M55302/119-12	1 - 50	.300 [7.62]	2.300 [58.42]	2.750 [69.85]	2.450 [62.23]	49	3.040 [77.22]	100	530747-2
	M55302/119-14	1 - 64	.190 [4.83]	3.000 [76.20]	3.450 [87.63]	3.150 [80.01]	63	3.740 [95.00]	128	530747-1

THIS DRAWING IS A CONTROLLED DOCUMENT.

DIMENSIONS: INCHES	TOLERANCES UNLESS OTHERWISE SPECIFIED:	DIN R RINEHART 5-24-90	APVD J. HOKE 7-9-90
0 PLC ± -	1 PLC ± -	2 PLC ± -	3 PLC ± .005 [0.13]
4 PLC ± -	ANGLES ± # 0'30'	MATERIAL -	FINISH -

STE TE Connectivity
 RECEPTACLE ASSY, MINI-BOX MILITARY
 SIZE: A1 00779 C=530747
 SCALE: 5:1 SHEET 1 OF 1 REV J

单击下面可查看定价，库存，交付和生命周期等信息

[>>TE Connectivity\(泰科\)](#)