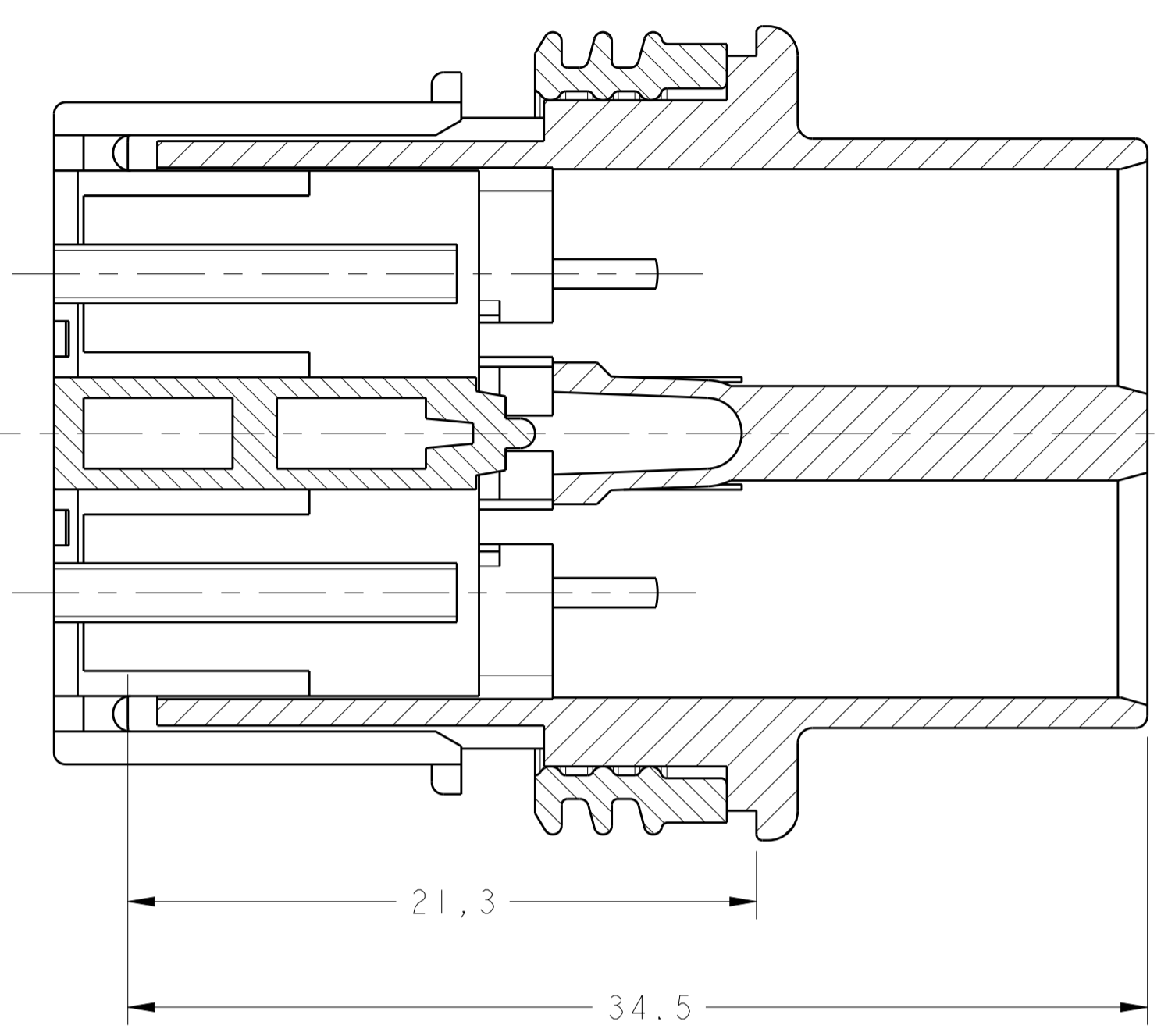
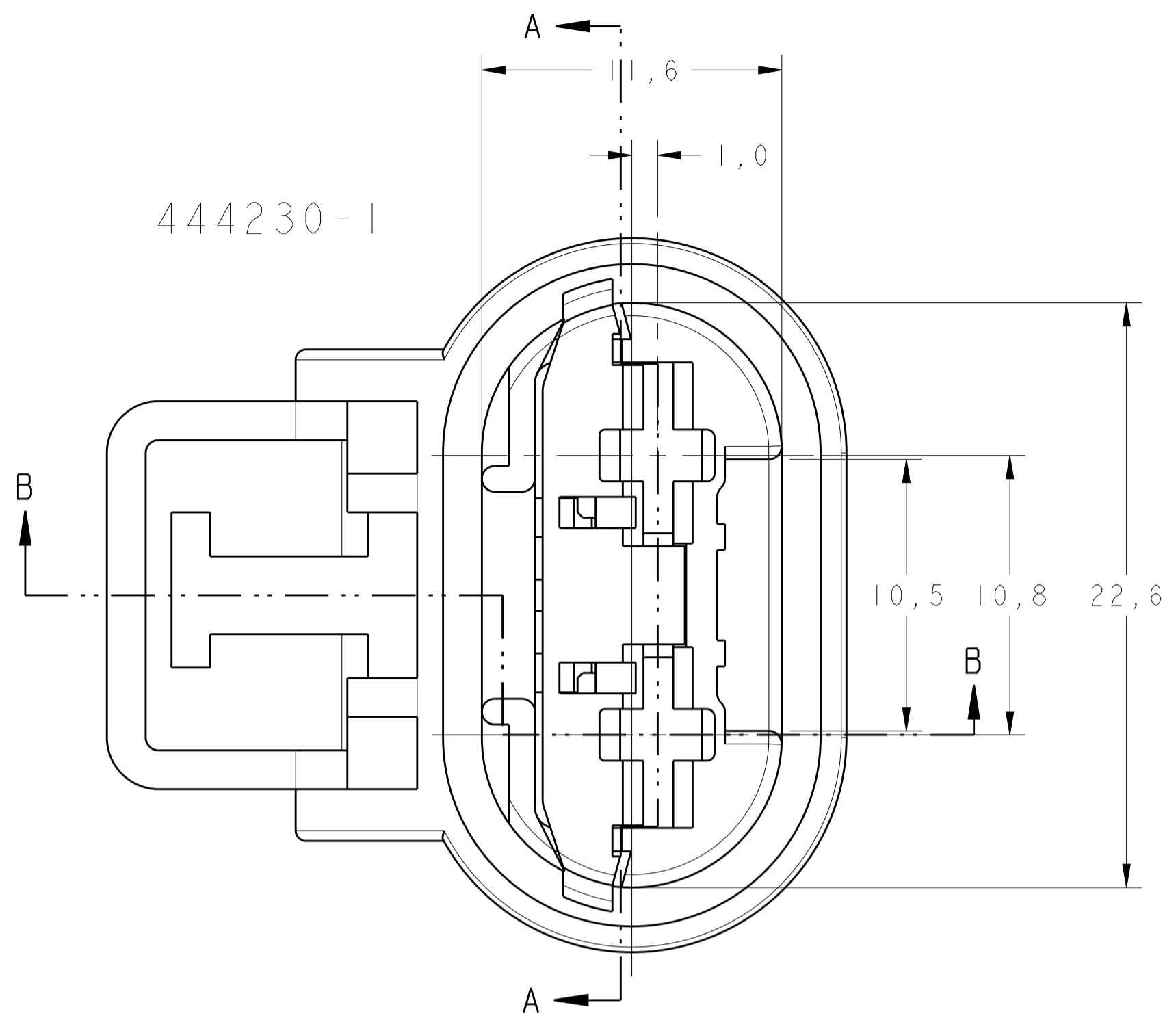
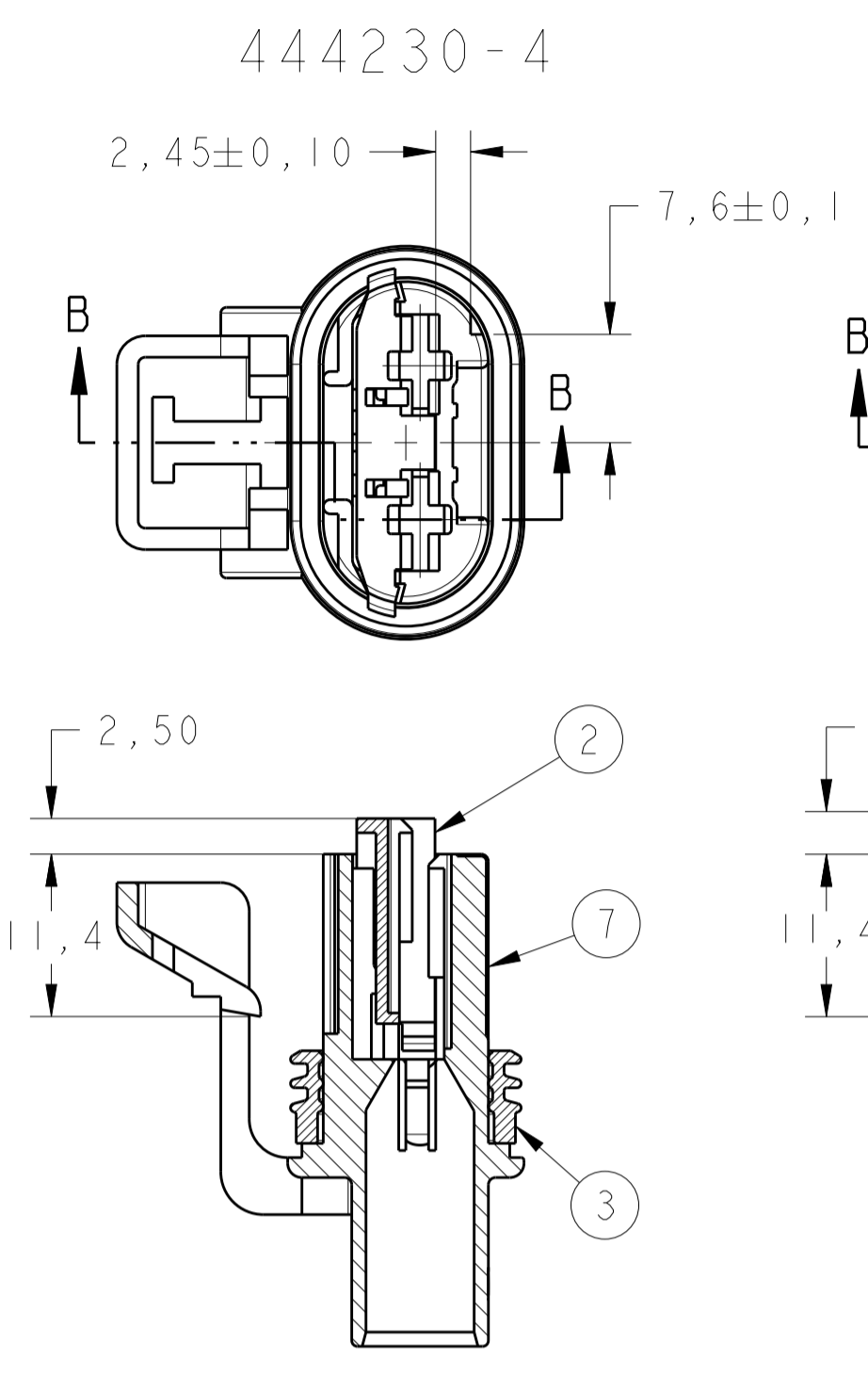


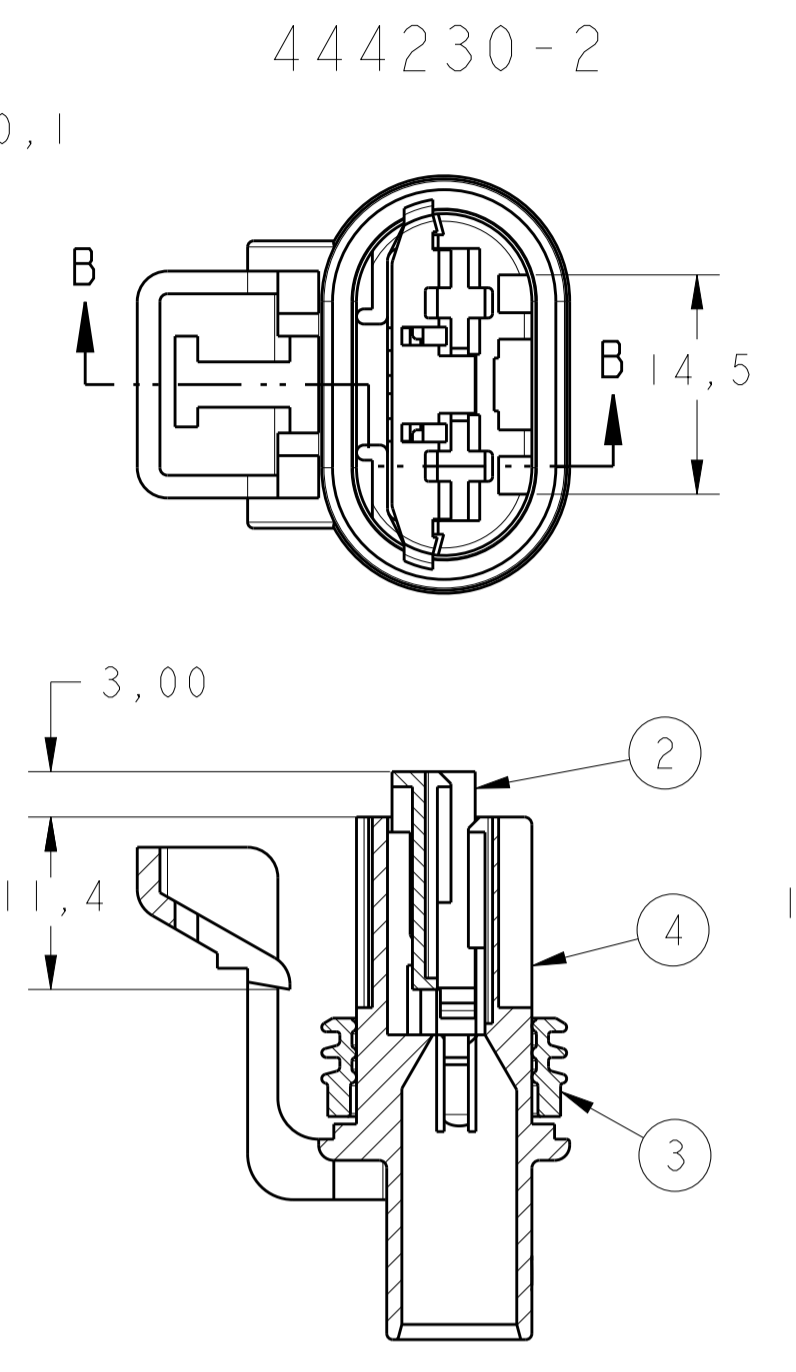
REVISIONS				
P.	LTH	DESCRIPTION	DATE	OWN APVD
G1		REVISED BY ECO-06-005945	04APR2006	NCL PLF
G2		REVISED DRAWING ECO-15-011162	03AUG2015	NCL DAO



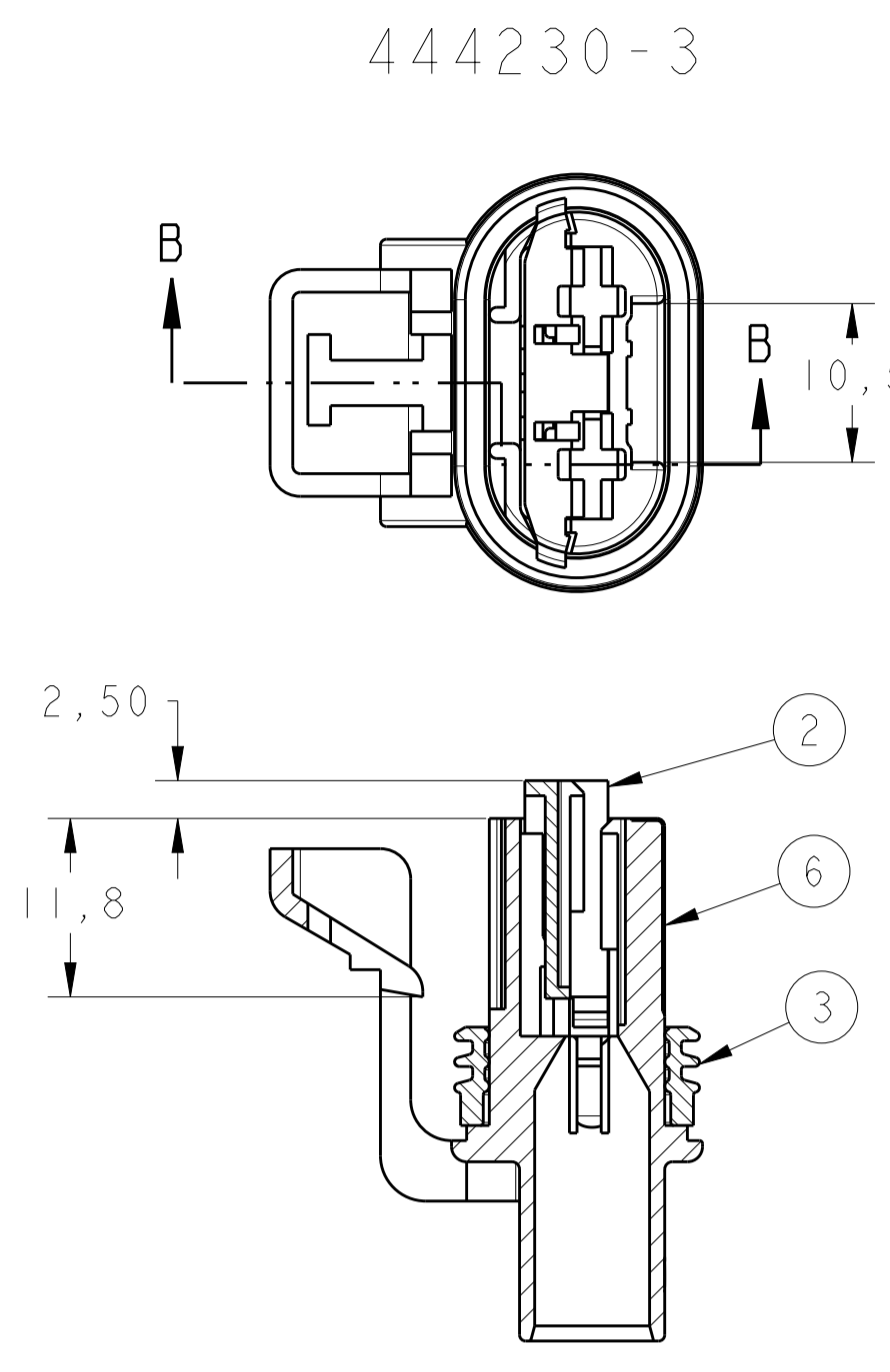
SECTION A-A



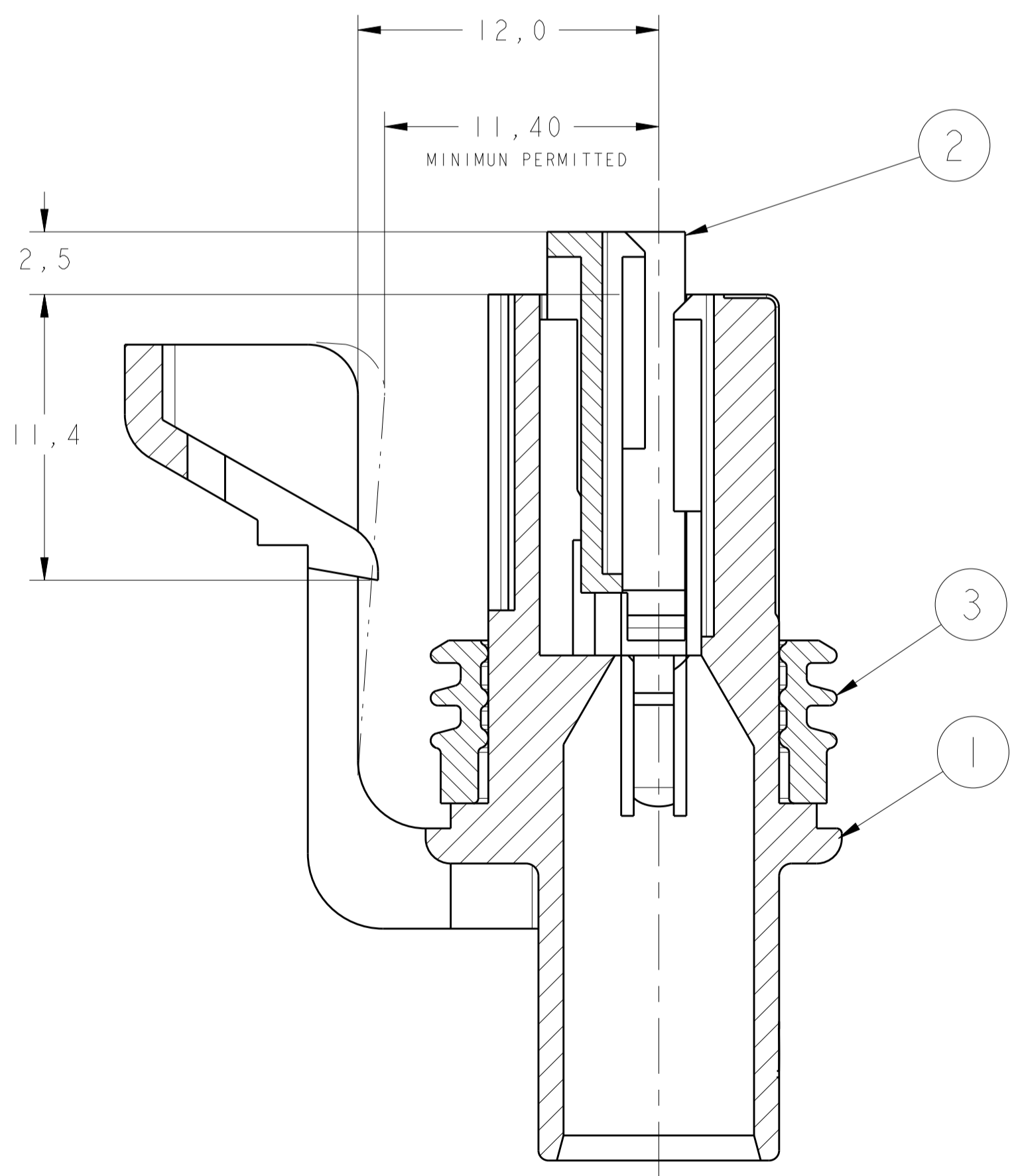
SECTION B-B



SECTION B-B

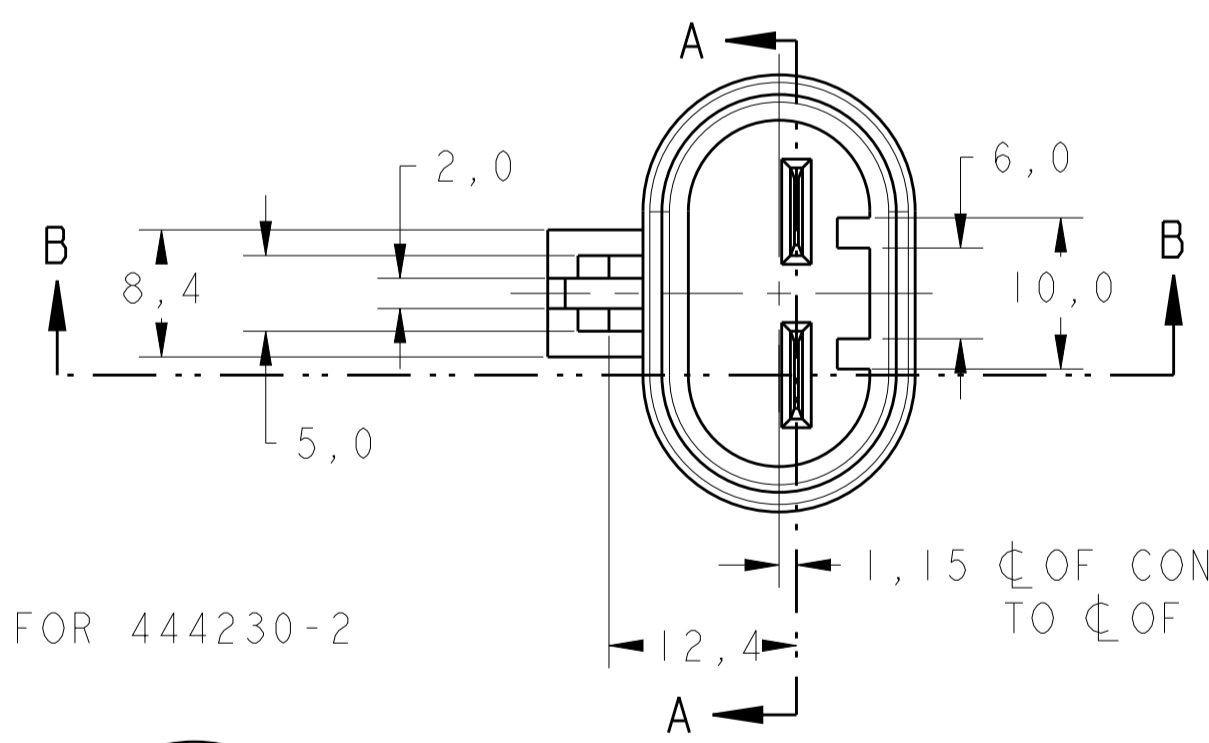


SECTION B-B

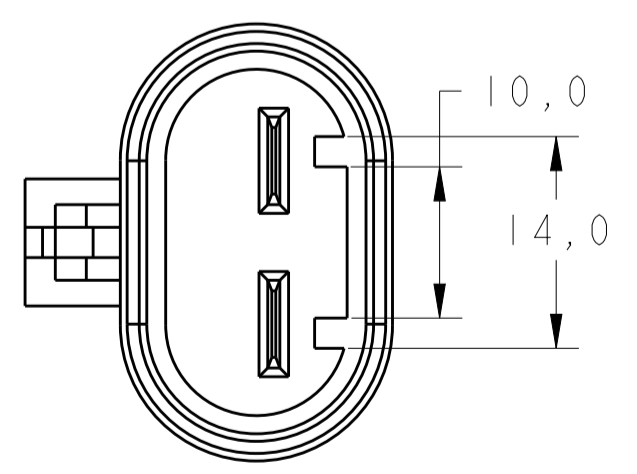


SECTION B-B

FOR 444230-1 AND 444230-3

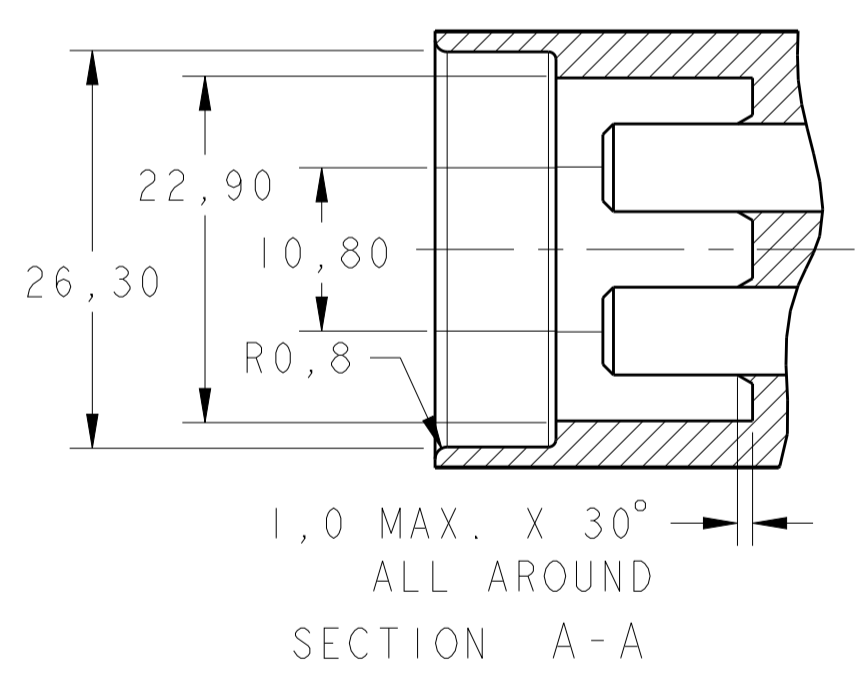


FOR 444230-2

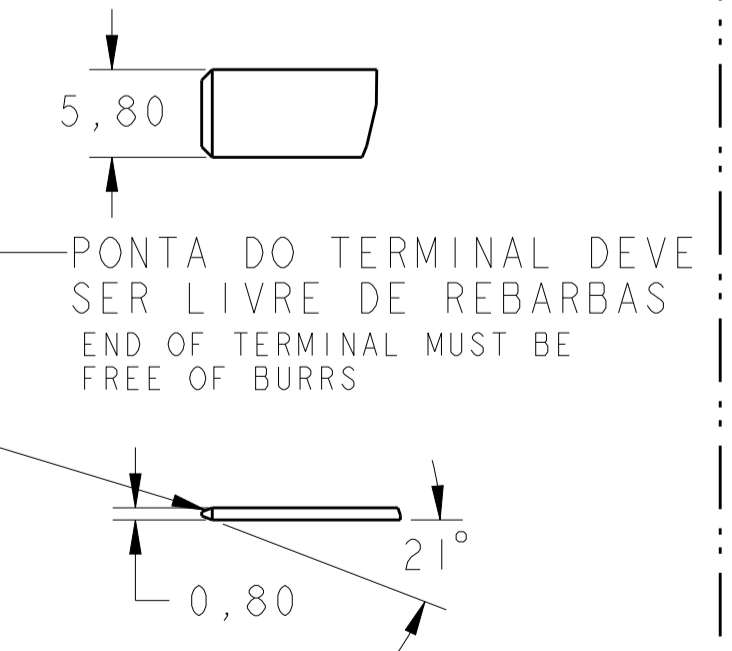


SECTION B-B

**INFORMAÇÕES DA CONTRA-PEÇA**  
**MATING CONNECTOR INFORMATION**  
 SCALE 2:1



SECTION A-A



**INFORMACOES DO TERMINAL**  
**MATING TERMINAL INFORMATION**  
 SCALE 2:1

TOLERANCIAS NAO ESPECIFICADAS  
 TOLERANCES UNLESS OTHERWISE STATED  
 DECIMAL: ONE PLACE: ±0.2  
 TWO PLACE: ±0.1  
 ANGLES: ±2°

**CONECTOR PARA TERMINAIS E SELOS:**  
**CONNECTOR FOR TERMINALS AND WIRE SEALS**

BITOLA WIRE RANGE (mm <sup>2</sup> )	PN TERMINAL	SELO Nº PN SEAL
0.5-1.0	927836-2	963243-1
>1.0-2.5	927835-2	963244-1
>2.5-4.0	928966-2	963245-1

GRAVAÇÕES MARKINGS	
MARCA REGISTRADA AMP TRADEMARK AMP	
CÓDIGO PAÍS PRODUTOR MANUFACTURER COUNTRY CODE	
NÚMERO DA PEÇA TE PART NUMBER TE	
NÚMERO CAVIDADE CAVITY NUMBER	
IDENTIFICAÇÃO CIRCUITO CIRCUIT IDENTIFICATION	
PAÍS PRODUTOR MANUFACTURER COUNTRY	

ITEM	DESCRIPTION	MATERIAL	FINISH
1	HOUSING, 2P., STD. P. T. RCPT.	PA 6.6	AZUL / BLUE
2	HOUSING, 2P., STD. P. T. RCPT.	PA 6.6	PRETO / BLACK
3	SEAL, 2 POSN.	SILICONE	AZUL / BLUE
4	HOUSING, 2P., STD. P. T. RCPT.	PA 6.6	CINZA / GRAY
5	SEAL, 2 POSN.	SILICONE	VERDE / GREEN
6	SPACER, 2P., STD. P. T. RCPT.	PA 6.6	AMARELO/YELLOW
7	HOUSING, 2P., STD. P. T. RCPT.	PA 6.6	PRETO / BLACK

REQ. PER ASSY: 444230

THIS DRAWING IS A CONTROLLED DOCUMENT.

DIMENSIONS: mm

TOLERANCES UNLESS OTHERWISE SPECIFIED:

0 PLC	±
1 PLC	±0.3
2 PLC	±
3 PLC	±
4 PLC	±
ANGLES	±1°

MATERIAL: SEE TABLE

FINISH: SEE TABLE

Customer Drawing

OWN: M. IONISHI 25JAN2005  
 CHK: P. L. FARIA 22MAR2005  
 APVD: F. G. OLIVEIRA 22MAR2005

NAME: HOUSING, ASSY, 2 POSN., STD. POWER TIMER REC.

SIZE: A1

SCALE: 3:1

SHEET 1 OF 1

REV: G2

单击下面可查看定价，库存，交付和生命周期等信息

[>>TE Connectivity\(泰科\)](#)