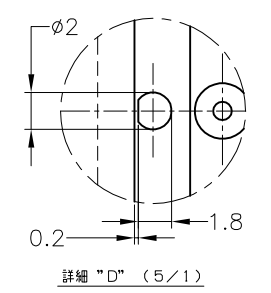
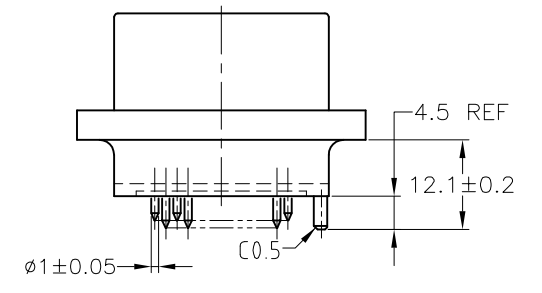
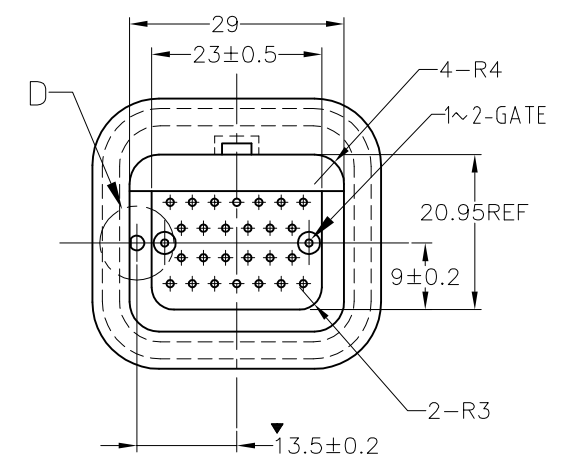
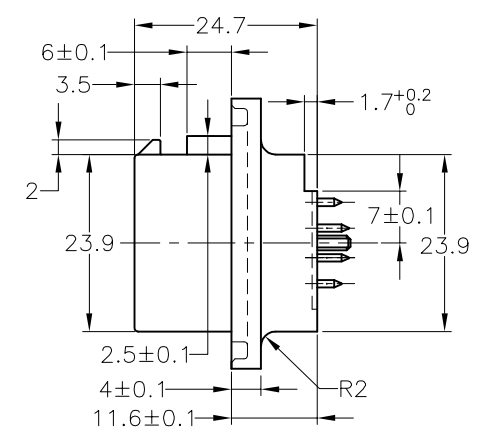
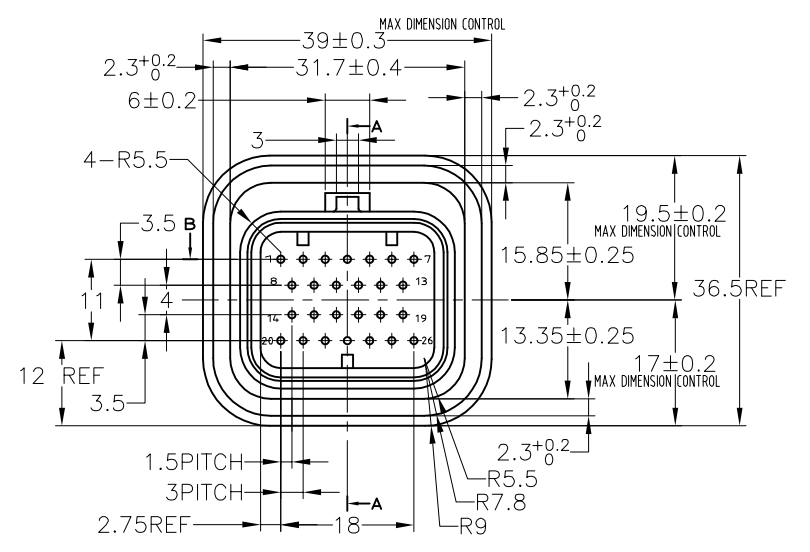
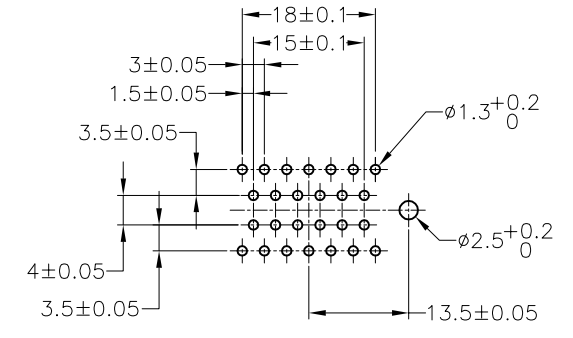
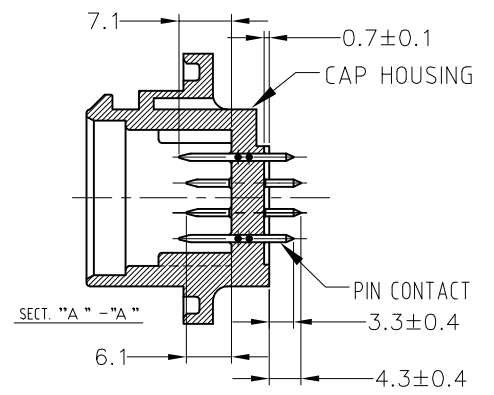
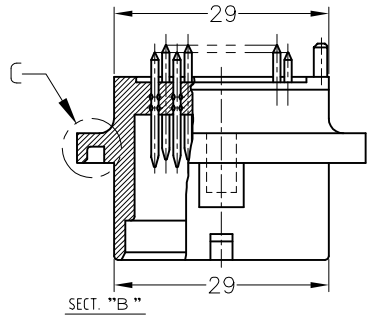
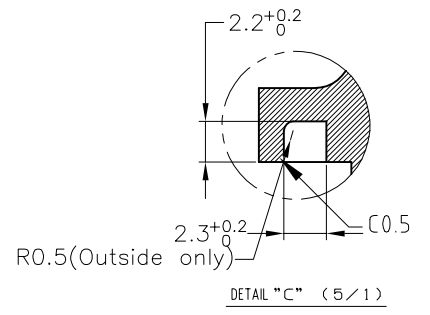


LOC		DIST		REVISIONS				
J		-		REV	DESCRIPTION	DATE	DRW	APPD
A2	REVISED	ECR-15-008111		01JUN2015	TS	KB		

(RECOMMENDED P.C.BORD DIMENSION, TOLERANCE±0.1)  
 プリント基板推奨ホールパターン、公差±0.1



NOTES, 1.GENERAL TOLERANCE : ± 0.3  
 DRAFT ANGLE : ± 1 MAX\*  
 ALL UNSPECIFIED RADII : R0.5  
 ALL UNSPECIFIED THICKNESS : 15  
 2.MATERIAL  
 CAP HOUSING : THERMOPLASTIC POLYESTER  
 PIN CONTACT : BRSS  
 3.CRITICAL DIMENSIONS:▼

SEE DWG	SEE DWG	SEE DWG	SELECTIVE-TIN (MATTE)	SELECTIVE GOLD × 26	PART NUMBER
SEE DWG 1473418	SEE DWG 1473418	-	SELECTIVE-TIN (MATTE)	SELECTIVE GOLD × 26	6473418-2
SEE DWG 1473418	SEE DWG 1473418	-	SELECTIVE-TIN (MATTE)	SELECTIVE GOLD × 26	6473418-1
3-1437290-7	-	-	SELECTIVE-TIN (MATTE)	SELECTIVE GOLD × 26	6437288-6
OBSOLETE	SEE DWG 1473418	SEE DWG 1473418	TIN-LEAD	SELECTIVE GOLD × 26	1473418-2
OBSOLETE	SEE DWG 1473418	SEE DWG 1473418	TIN-LEAD	SELECTIVE GOLD × 26	1473418-1
OBSOLETE	3-1437290-7	-	TIN-LEAD	SELECTIVE GOLD × 26	1437288-6
MATING PLUG ASSEMBLY 嵌合相手	REMARKS 備考	OLD PART NUMBER 旧型番	CONTACT FINISH 半田付け側	CONTACT SEDE 接触部側	PART NUMBER 型番
			CONTACT FINISH コンタクト仕上		

THIS DRAWING IS A CONTROLLED DOCUMENT.

CHK: A. YAMAGUCHI, 24SEP02  
 K. BETSUI, 24SEP02  
 NAME: K. BETSUI, 24SEP02

TE Connectivity  
 WATER SEALED CONNECTOR  
 CAP HOUSING 26POS ASSEMBLY

PRODUCT SPEC: 108-78140  
 APPLICATION SPEC: 1437288-6

SIZE: A1, CAGE CODE: 1437288-6, DRAWING NO: 1437288-6, RESTRICTED TO: -  
 MATERIAL: -, FINISH: 仕上, WEIGHT: -, SCALE: 2:1, SHEET: 1 OF 1, REV: A2

单击下面可查看定价，库存，交付和生命周期等信息

[>>TE Connectivity\(泰科\)](#)