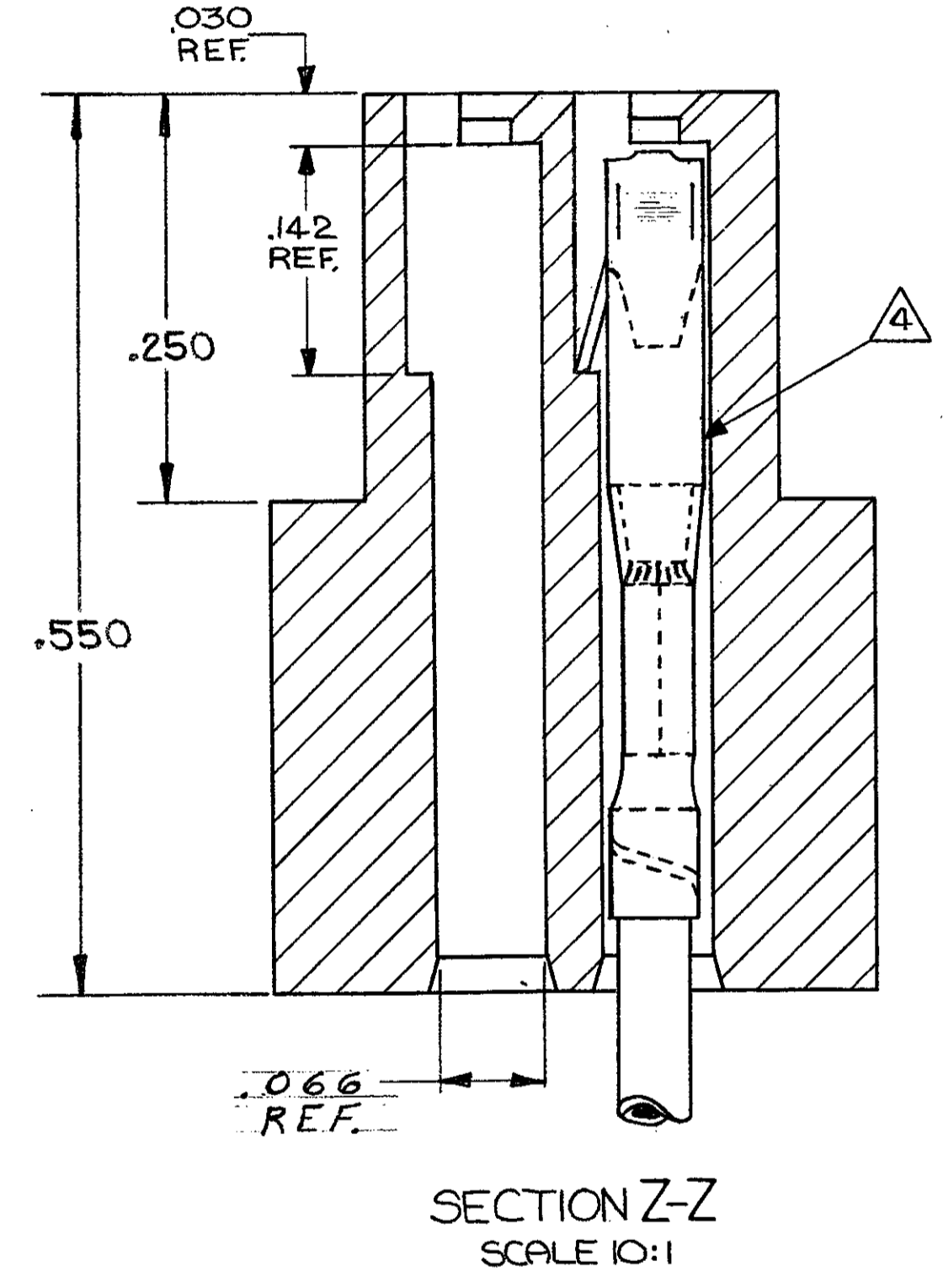
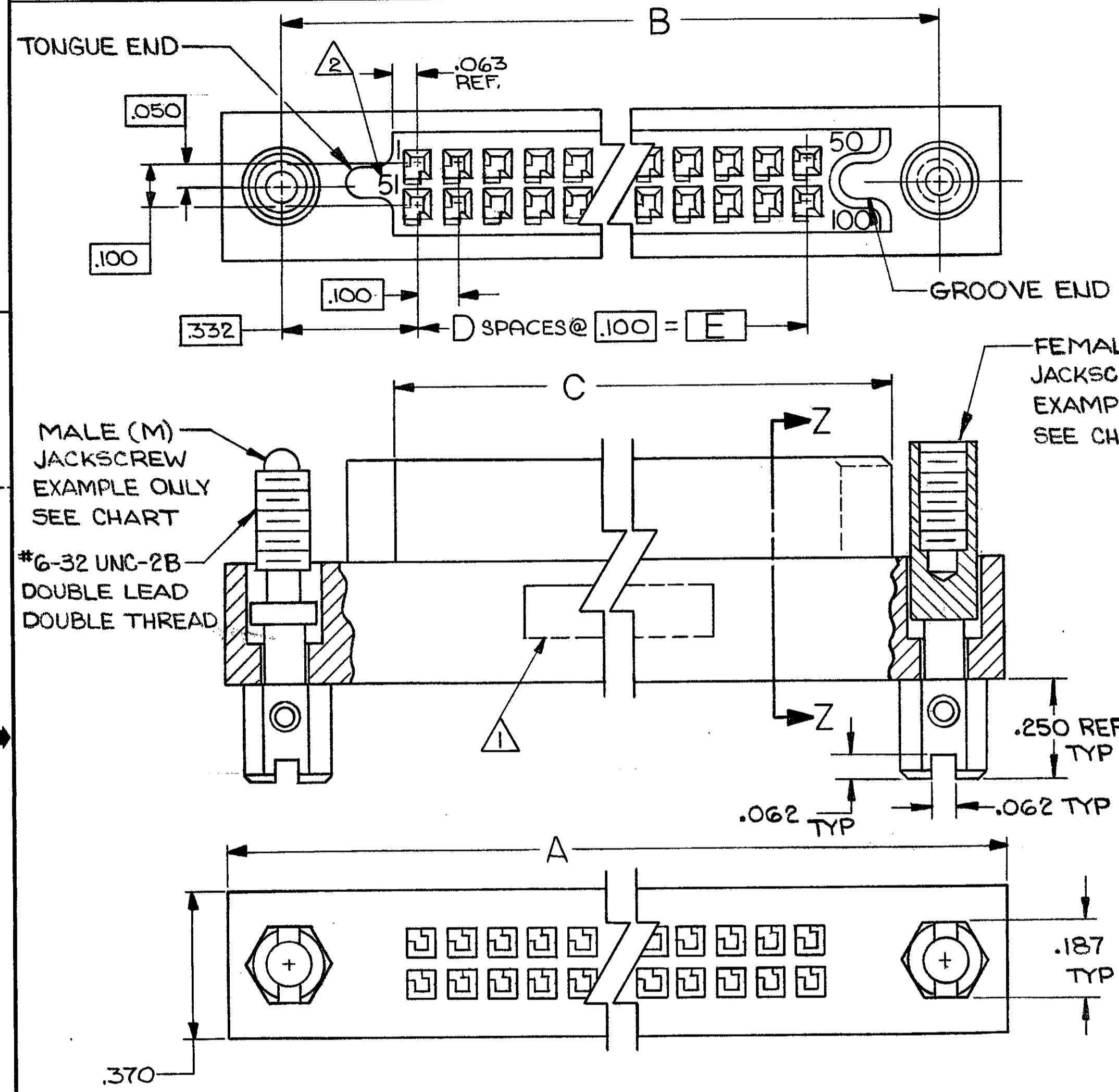


© COPYRIGHT 1980 BY AMP INCORPORATED, HARRISBURG, PA.
 ALL INTERNATIONAL RIGHTS RESERVED. AMP INCORPORATED PRODUCTS
 COVERED BY U. S. AND FOREIGN PATENTS AND/OR PATENTS PENDING.

REVISIONS						
P	F	ZONE	LTR	DESCRIPTION	DATE	APPROVED
0			O	WAS 5085-SGO	1/28 2-29-80	
✓			A	REV PER DF-0089 & DF-0117-15	10/80	MM
✓			B	REV PER 0600-1750-94 TA	1/95	GG
			C	REV PER 0600-5631-96	11/8-78	DL
			D	REV PER 0600-6466-97	8-92	DL



UNLESS OTHERWISE SPECIFIED DIMENSIONS ARE IN INCHES. TOLERANCES ON: DECIMALS ±.010 ANGLES ±		CONTRACT NO 2-14-80	AMP AMP INCORPORATED Harrisburg, Pa.
MATERIAL GLASS-FILLED POLYESTER COLOR: BLUE	DR <i>A.M. SHARPE</i>	CHK <i>2/19/80</i>	
FINISH	APPD <i>2/11/80</i>	APPD <i>12-11-80</i>	NAME BOX RECEPTACLE FOR TANDEM SPRING CONTACT, .100¢ CABLE MOUNT
	DSGN APPD	OTHER APPD	SIZE CODE IDENT NO DRAWING NO C 00779 531841
			SCALE 4:1 SHEET 1 OF 2

THIS DRAWING IS UNPUBLISHED. RELEASED FOR PUBLICATION
 © COPYRIGHT 19 BY AMP INCORPORATED. ALL RIGHTS RESERVED.

LOC	DIST	REVISIONS					
DF	FO	P	LTR	DESCRIPTION	DATE	DWN	APVD
-	-	-	-	SEE SHEET 1	-	-	-

- ① AMP, PART NUMBER AND DATE CODE INK STAMPED WHITE THIS SURFACE.
- ② NUMBERS MARKED ON MATING FACE. LINES INDICATING EVERY FIVE CAVITIES MARKED ON MATING FACE. (LINES OPTIONAL)
- ③ CONTACT SHOWN FOR REFERENCE ONLY AND MUST BE PURCHASED SEPARATELY. PART NUMBER 531215 FOR #28 TO #32 AWG WITH .000050 GOLD INLAY, TIN-LEAD IN WIRE BARREL, PART NUMBER 531216 FOR #22 TO #26 AWG WITH SAME FINISH.
- 4. MATES WITH APPROPRIATE SIZE CRIMP SNAP PIN ASSEMBLY FROM 530752 SERIES. EXAMPLE: 3-531841-0 (SHOWN) MATES WITH 3-530752-1.
- ⑤ OBSOLETE PART NUMBER.

REMARKS	CAVITY IDENTIFICATION	E	D	C	B	A	NO OF POSN	GROOVE KEYING	TONGUE KEYING	PART NUMBER
OBSOLETE	-									3-531841-6
OBSOLETE	⑤	1 - 55								3-531841-5
OBSOLETE	⑤	56 - 110	5.400 [137.16]	54	5.665 [143.89]	6.065 [154.05]	6.355 [161.42]	110		3-531841-4
										3-531841-3
OBSOLETE	-									3-531841-2
OBSOLETE	-	1 - 50	4.900 [124.46]	49	5.165 [131.19]	5.565 [141.35]	5.855 [148.72]	100		3-531841-1
		51 - 100								3-531841-0
OBSOLETE	-									2-531841-9
OBSOLETE	⑤	1 - 45								2-531841-8
OBSOLETE	⑤	46 - 90	4.400 [111.76]	44	4.665 [118.49]	5.065 [128.65]	5.355 [136.02]	90		2-531841-7
OBSOLETE	⑤									2-531841-6
OBSOLETE	⑤									2-531841-5
OBSOLETE	-									2-531841-4
OBSOLETE	⑤	1 - 40	3.900 [99.06]	39	4.165 [105.79]	4.565 [115.95]	4.855 [123.32]	80		2-531841-3
OBSOLETE	⑤	41 - 80								2-531841-2
										2-531841-1
OBSOLETE	-									2-531841-0
OBSOLETE	⑤	1 - 35	3.400 [86.36]	34	3.665 [93.09]	4.065 [103.25]	4.355 [110.62]	70		1-531841-9
OBSOLETE	⑤	36 - 70								1-531841-8
OBSOLETE	-									1-531841-7
OBSOLETE	-									1-531841-6
OBSOLETE	-	1 - 30	2.900 [73.66]	29	3.165 [80.39]	3.565 [90.55]	3.855 [97.92]	60		1-531841-5
OBSOLETE	⑤	31 - 60								1-531841-4
										1-531841-3
OBSOLETE	-									1-531841-2
OBSOLETE	-	1 - 25	2.400 [60.96]	24	2.665 [67.69]	3.065 [77.85]	3.355 [85.22]	50		1-531841-1
OBSOLETE	-	26 - 50								1-531841-0
OBSOLETE	-									531841-9
OBSOLETE	-									531841-8
OBSOLETE	⑤	1 - 20	1.900 [48.26]	19	2.165 [54.99]	2.565 [65.15]	2.855 [72.52]	40		531841-7
OBSOLETE	-	21 - 40								531841-6
OBSOLETE	-									531841-5
										531841-4
		1 - 15								531841-3
OBSOLETE	-	16 - 30	1.400 [35.56]	14	1.665 [42.29]	2.065 [52.45]	2.355 [59.82]	30		531841-2
OBSOLETE	⑤									531841-1

THIS DRAWING IS A CONTROLLED DOCUMENT FOR AMP INCORPORATED. IT IS SUBJECT TO CHANGE AND THE CONTROLLING ENGINEERING ORGANIZATION SHOULD BE CONTACTED FOR THE LATEST REVISION.

DIMENSIONS: mm	TOLERANCES UNLESS OTHERWISE SPECIFIED: 0 PLC ±- 1 PLC ±- 2 PLC ±- 3 PLC ±.010 [0.25] 4 PLC ±- ANGLES ±0°30'	DWN T. ALEXANDER 10-20-94 CHK G. SCHAEFFER 1-23-95 APVD G. SCHAEFFER 1-23-95	AMP Incorporated Harrisburg, PA 17105-3608
MATERIAL -	FINISH -	PRODUCT SPEC - APPLICATION SPEC - WEIGHT -	NAME BOX RECEPTACLE FOR TANDEM SPRING CONTACT, .100C CABLE MOUNT SIZE A2 CAGE CODE 00779 DRAWING NO 531841
CUSTOMER DRAWING		SCALE -	SHEET 2 OF 2 REV D

单击下面可查看定价，库存，交付和生命周期等信息

[>>TE Connectivity\(泰科\)](#)