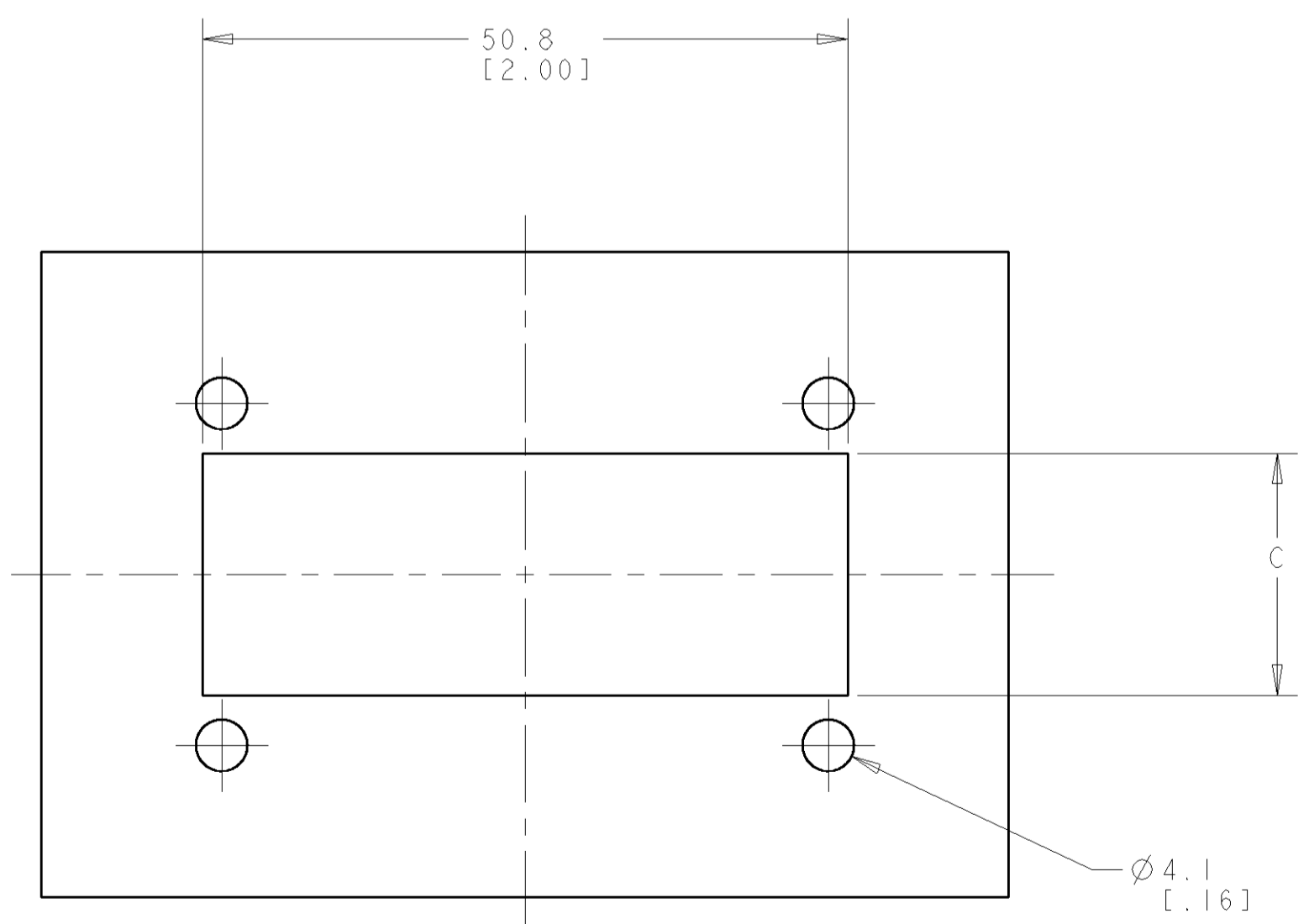
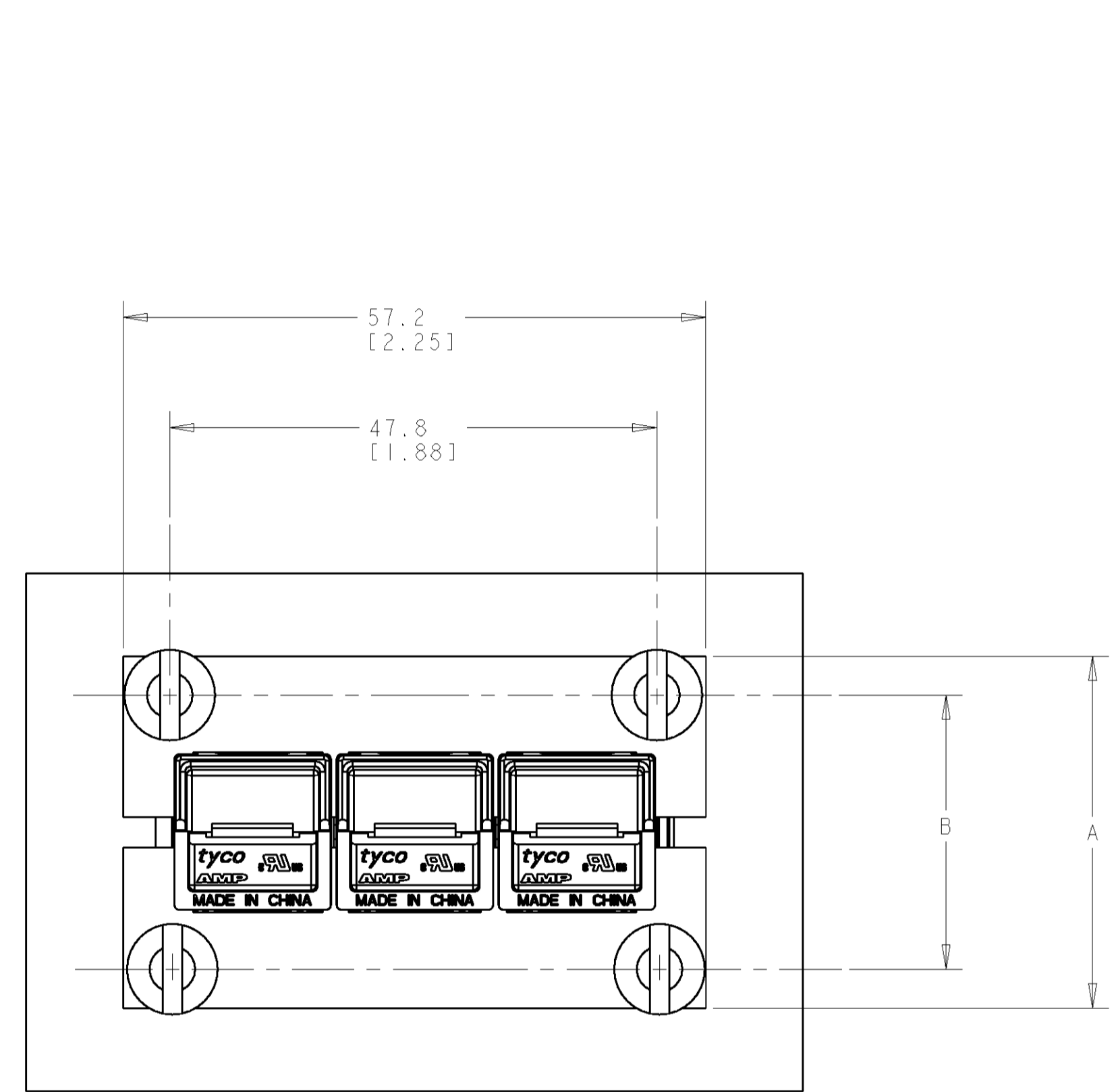
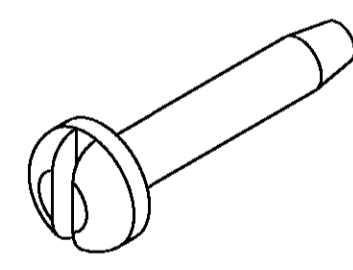
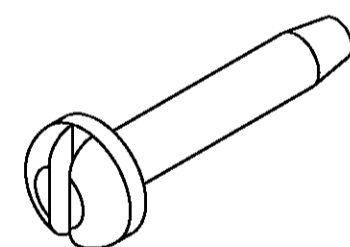
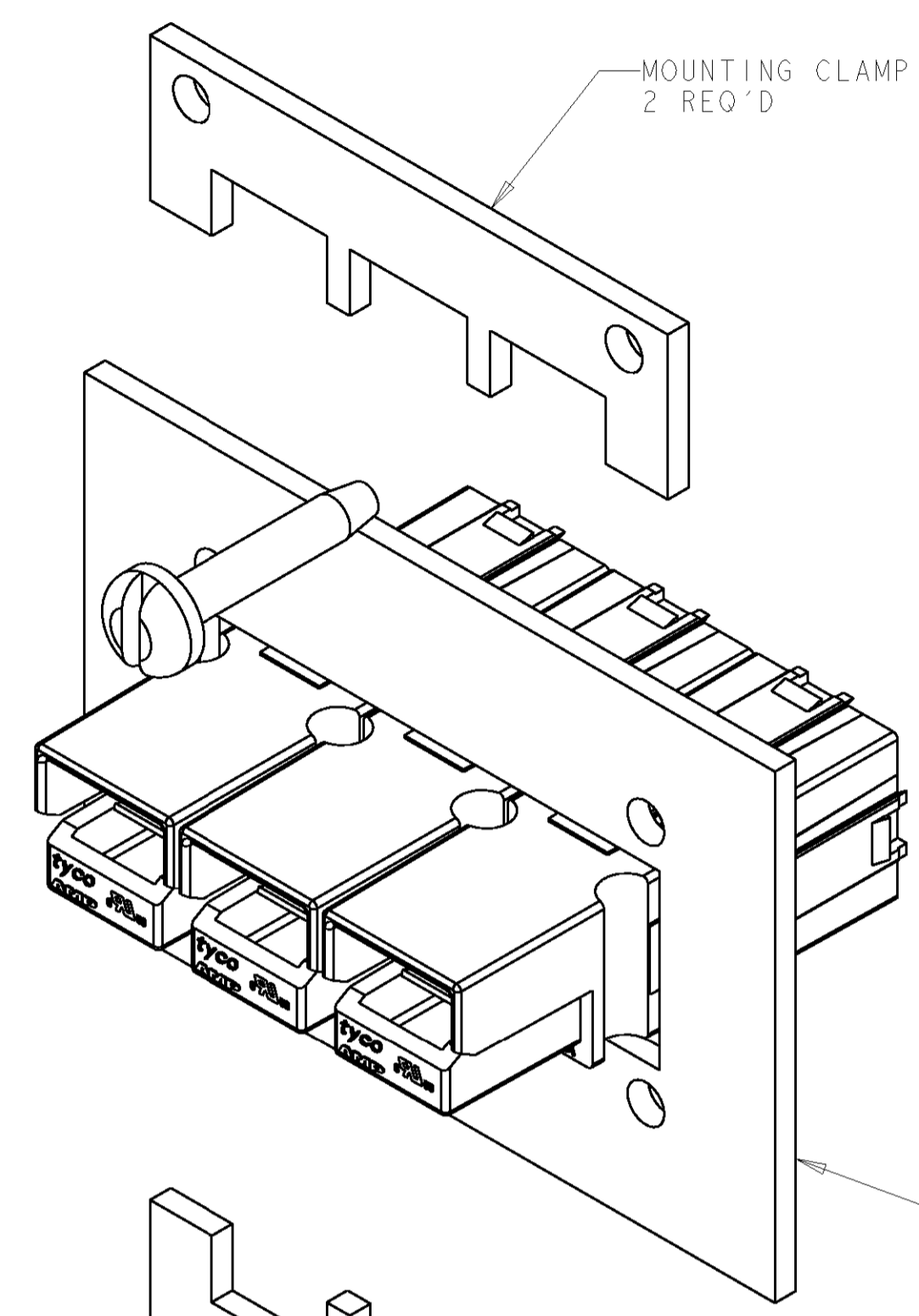
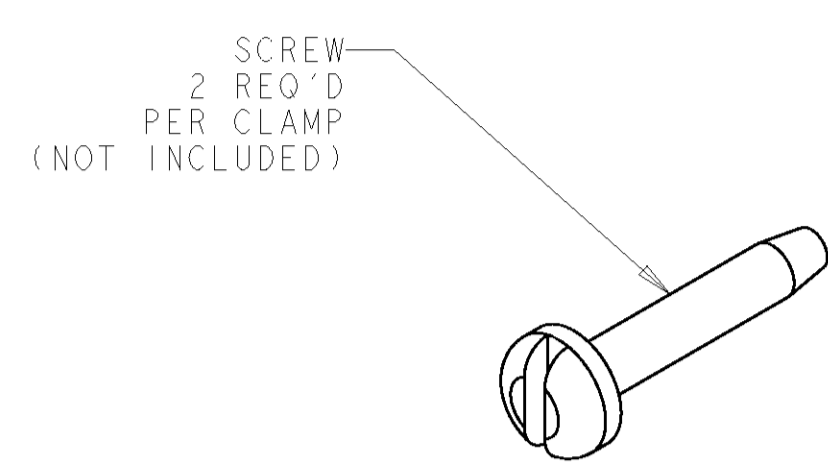


LOC	DIST	REVISIONS					
CM	00	P	LTR	DESCRIPTION	DATE	DWN	APVD
		1		PRE-RELEASED	13JAN2003	KW	JE
		0		REVISED PER 0638-0595-03	16JAN06	KW	JE

1. MOUNTING CLAMPS SOLD IN PAIRS, SCREWS NOT INCLUDED.



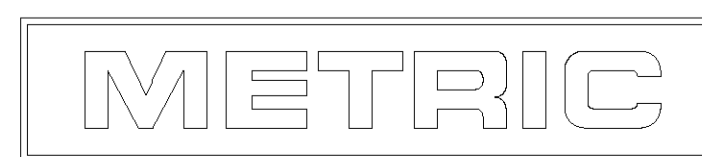
PANEL CUTOUT DIMENSIONS



35.1 [1.38]	42.7 [1.68]	50.3 [1.98]	6
19.0 [.75]	26.9 [1.06]	34.5 [1.36]	3
C	B	A	NO OF POLES

1 BOX	647717-2
1 PAIR	647717-1
QTY / UNIT OF MEASUREMENT	PART NUMBER

<small>THE DIMENSIONS IN PARENTHESES REPRESENT THE DIMENSIONS OF THE ORGANIZATION THAT IS THE ORIGINAL SOURCE OF THE DIMENSIONS. DIMENSIONS IN SQUARE BRACKETS ARE THE DIMENSIONS OF THIS ORGANIZATION. DIMENSIONS IN PARENTHESES TAKE PRECEDENCE OVER DIMENSIONS IN SQUARE BRACKETS.</small>		DWN: B. WHITAKER CHK: J. ELLIS APVD: J. ELLIS DATE: 13JAN2003	tyco Electronics Tyco Electronics Harrisburg, PA 17105-3608
DIMENSIONS: mm [INCHES]	TOLERANCES UNLESS OTHERWISE SPECIFIED: 0 PLC ± 1 PLC ±0.5 [.02] 2 PLC ± 3 PLC ± 4 PLC ± ANGLES ± FINISH -	PRODUCT SPEC APPLICATION SPEC WEIGHT - CUSTOMER DRAWING	NAME: AMP POWER SERIES 75 MOUNTING CLAMP, 3 AND 6 POLE SIZE: A1 CAGE CODE: 00779 DRAWING NO: 647717 RESTRICTED TO: - SCALE: 2:1 SHEET: 1 OF 1 REV: 0



单击下面可查看定价，库存，交付和生命周期等信息

[>>TE Connectivity\(泰科\)](#)