

4

3

2

1

THIS DRAWING IS UNPUBLISHED.

RELEASED FOR PUBLICATION

,19

© COPYRIGHT 19

BY AMP INCORPORATED. ALL RIGHTS RESERVED.

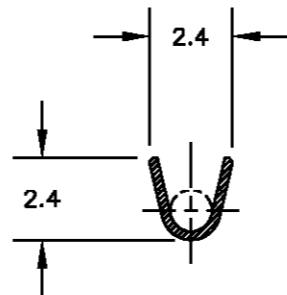
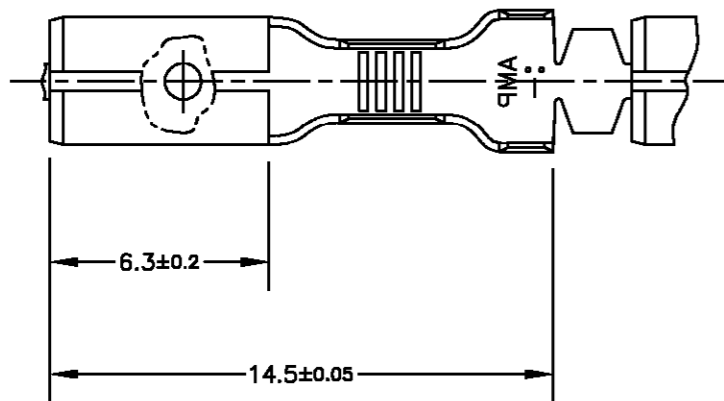
CAD
DO NOT REVISE
EXCEPT BY CAD

LOC
AP

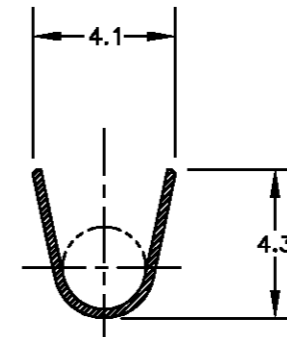
DIST
-

REVISIONS

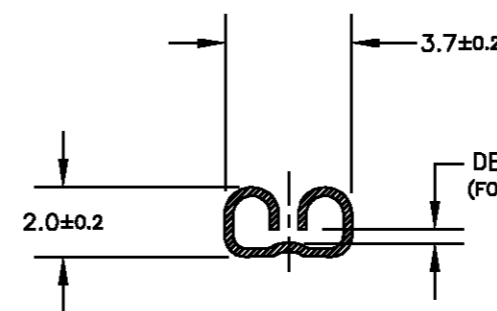
P	LTR	LT	DESCRIPTION	DESRIÇÃO	DATE	DATA	DWN	DES	APVD	APR
	E2		REVISED BY ECO	17-015758	26OCT17		HC		WLS	



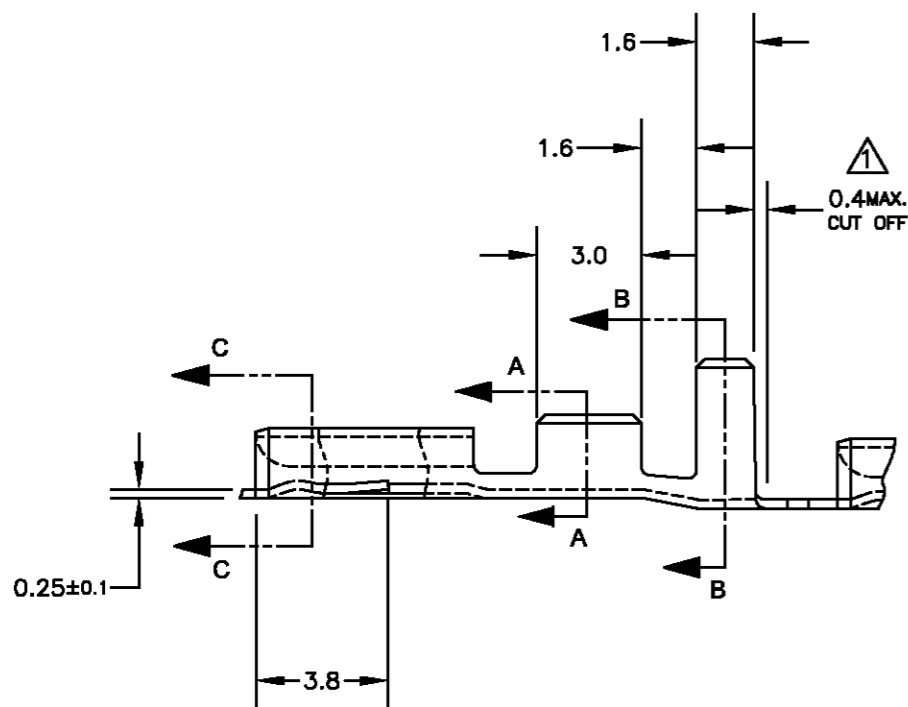
SECTION A-A



SECTION B-B



SECTION C-C



INS. RANGE	WIRE RANGE	FINISH	MATERIAL	PART NUMBER
2,0 - 2,7 mm	0,5 - 1,0 mm ²	0,4	LATÃO / BRASS	1-881608-1
		0,4	BRONZE FOSF. / PHOSP. BRONZE	881608-7 △
		0,5 ESTANHADO / TIN PLATED	LATÃO / BRASS	881608-6 △
		0,5	LATÃO / BRASS	881608-5 △
		0,5 PRATEADO / SILVER PLATED	LATÃO / BRASS	881608-4
		0,5	BRONZE FOSF. / PHOSP. BRONZE	881608-3
		0,5 ESTANHADO / TIN PLATED	LATÃO / BRASS	881608-2
		0,5	LATÃO / BRASS	881608-1

△
2
OBSOLETE

THIS DRAWING IS A CONTROLLED DOCUMENT.		DWN/DES A.PERUSSI 07MAY2002	AMP do Brasil Ltda. São Paulo, Brasil	
DIMENSIONS: DIMENSÕES MM	TOLERANCES UNLESS OTHERWISE SPECIFIED: TOLERÂNCIA NCO ESPECIFICADAS	CHK/CH P.L.FARIA 07MAY2002	NAME DESRIÇÃO	
	0 PLC/DEC ± - 1 PLC/DEC ± 0,3 2 PLC/DEC ± - 3 PLC/DEC ± - 4 PLC/DEC ± - ANGLES/ANGULARES ± 1°	APVD/APR L.W.PRADO 07MAY2002	.110 SERIES FASTON RECEPTACLE	
		PRODUCT SPEC 108-37014	SIZE 114-2036	CAGE CODE A3 00779
MATERIAL SEE TABLE	FINISH ACABAMENTO SEE TABLE	WEIGHT -/-	RESTRICTED TO -/-	

△ - PEÇA SOLTA. △ - LOOSE PIECE.
△ 2 OBSOLETE PARTS.

单击下面可查看定价，库存，交付和生命周期等信息

[>>TE Connectivity\(泰科\)](#)