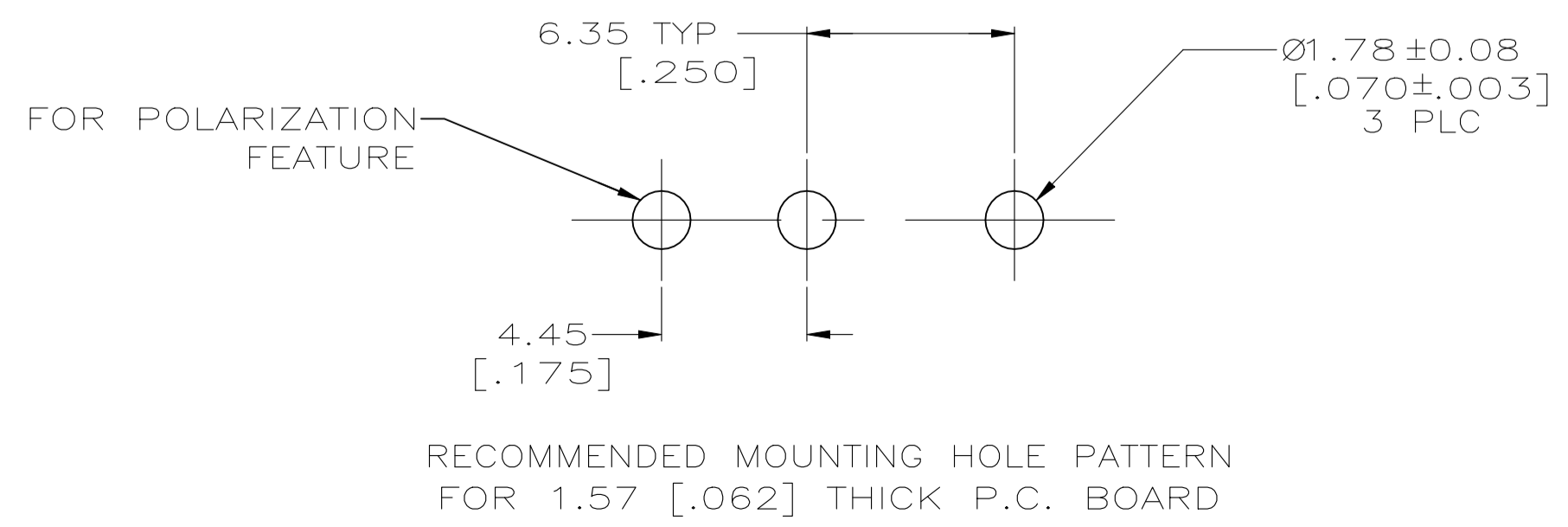
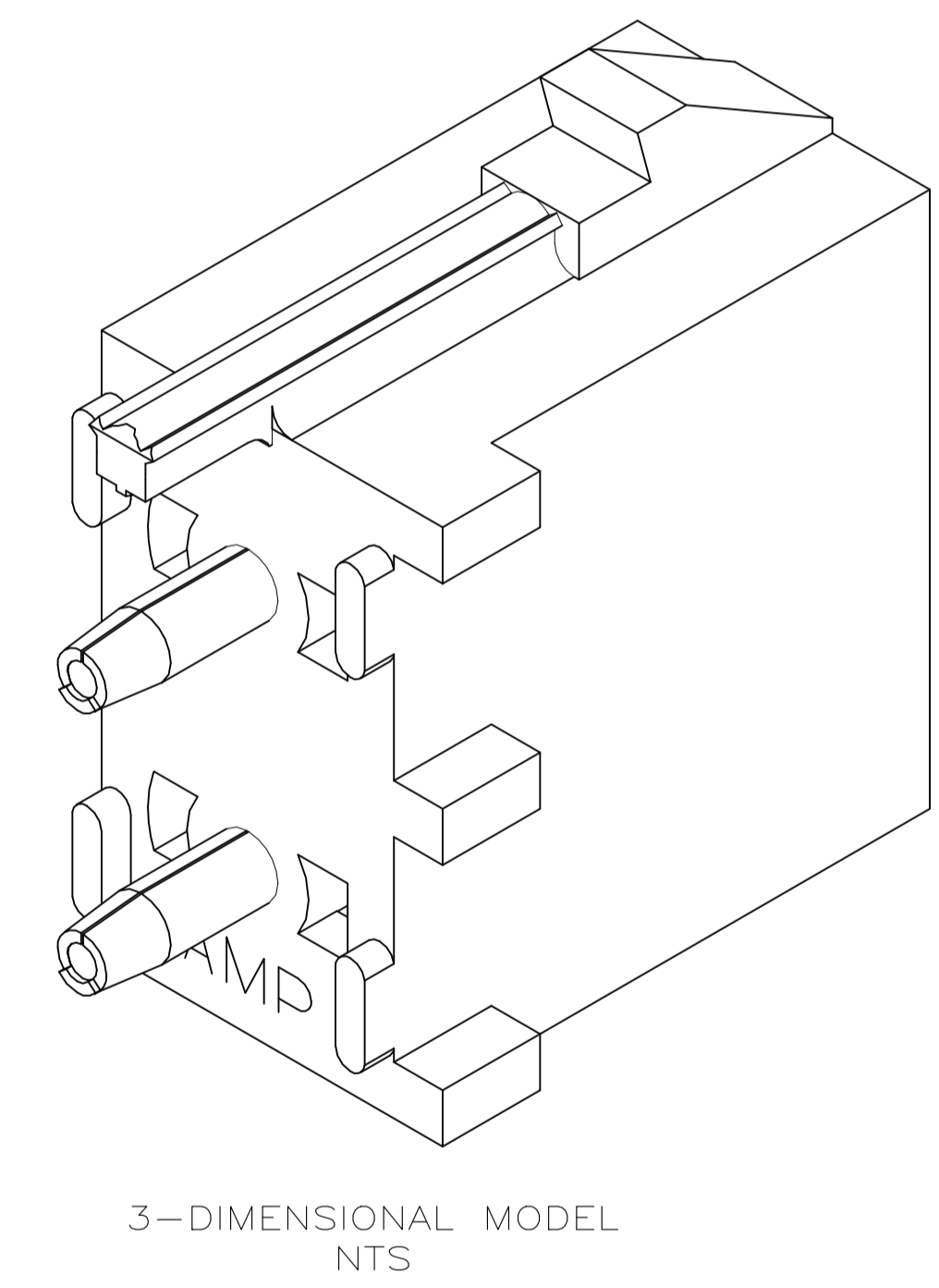
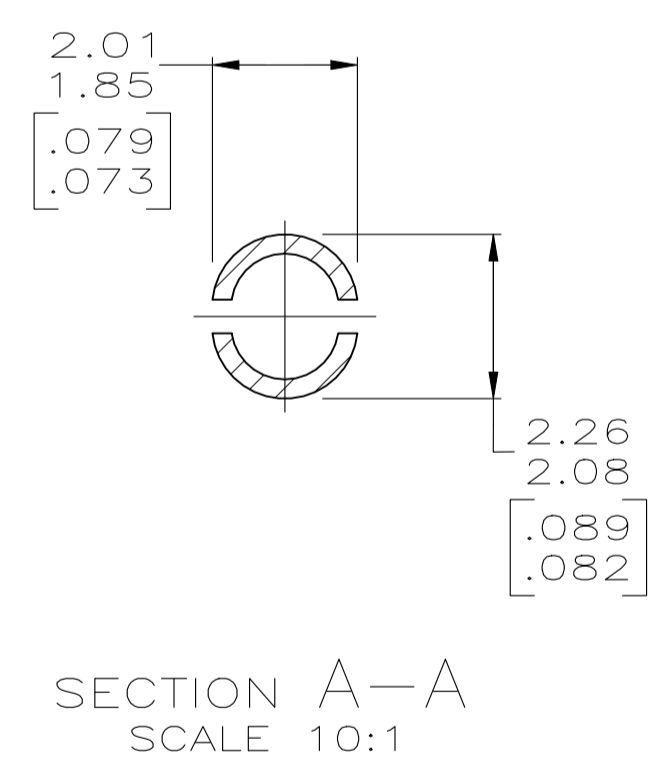
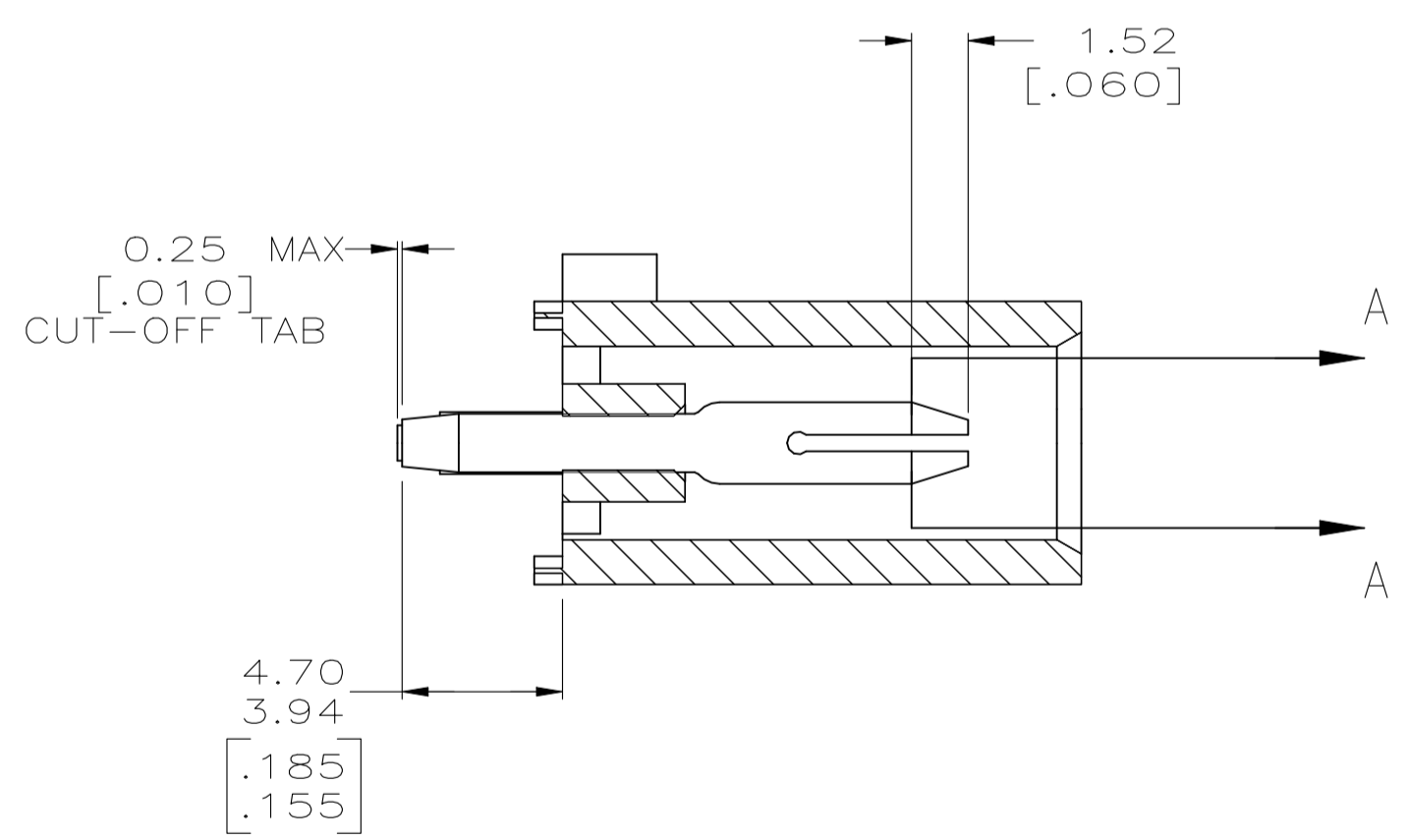
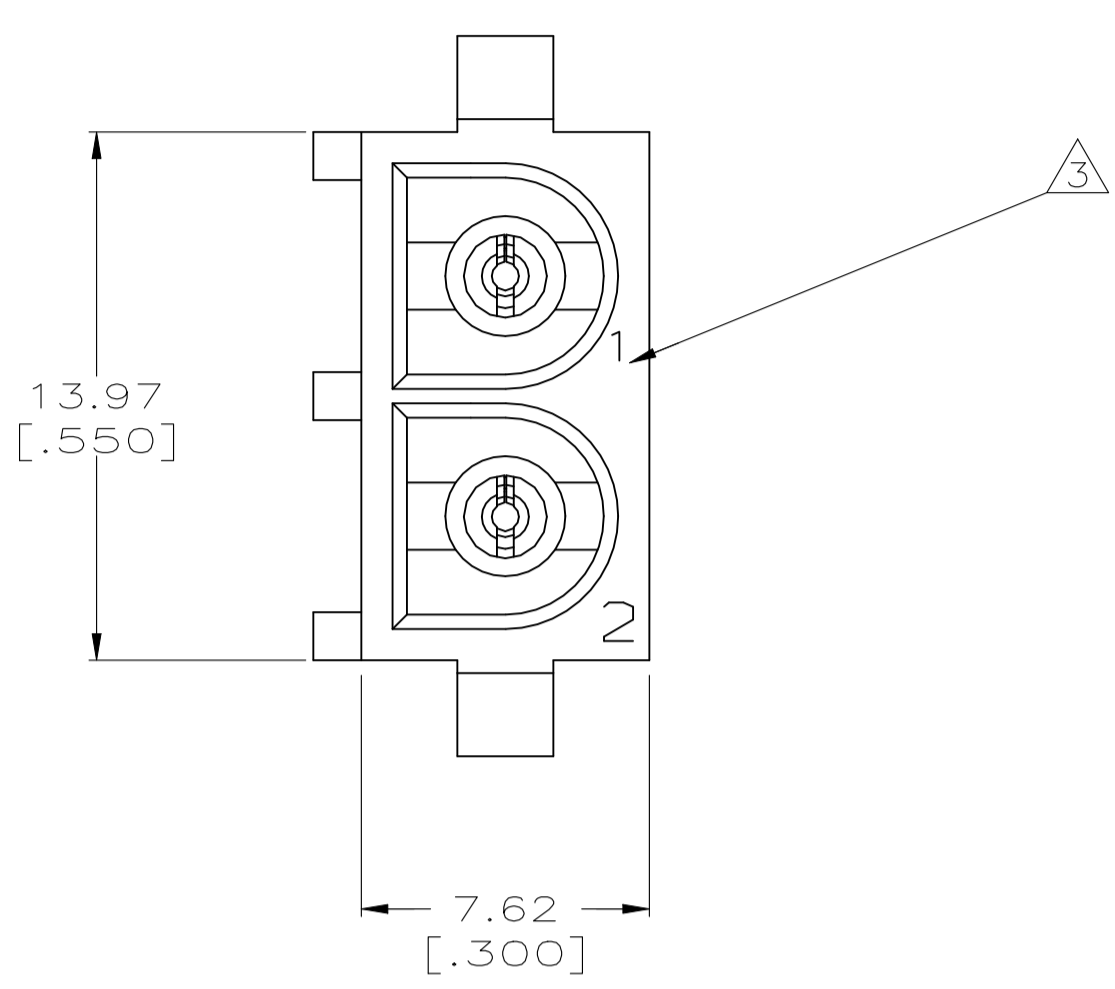
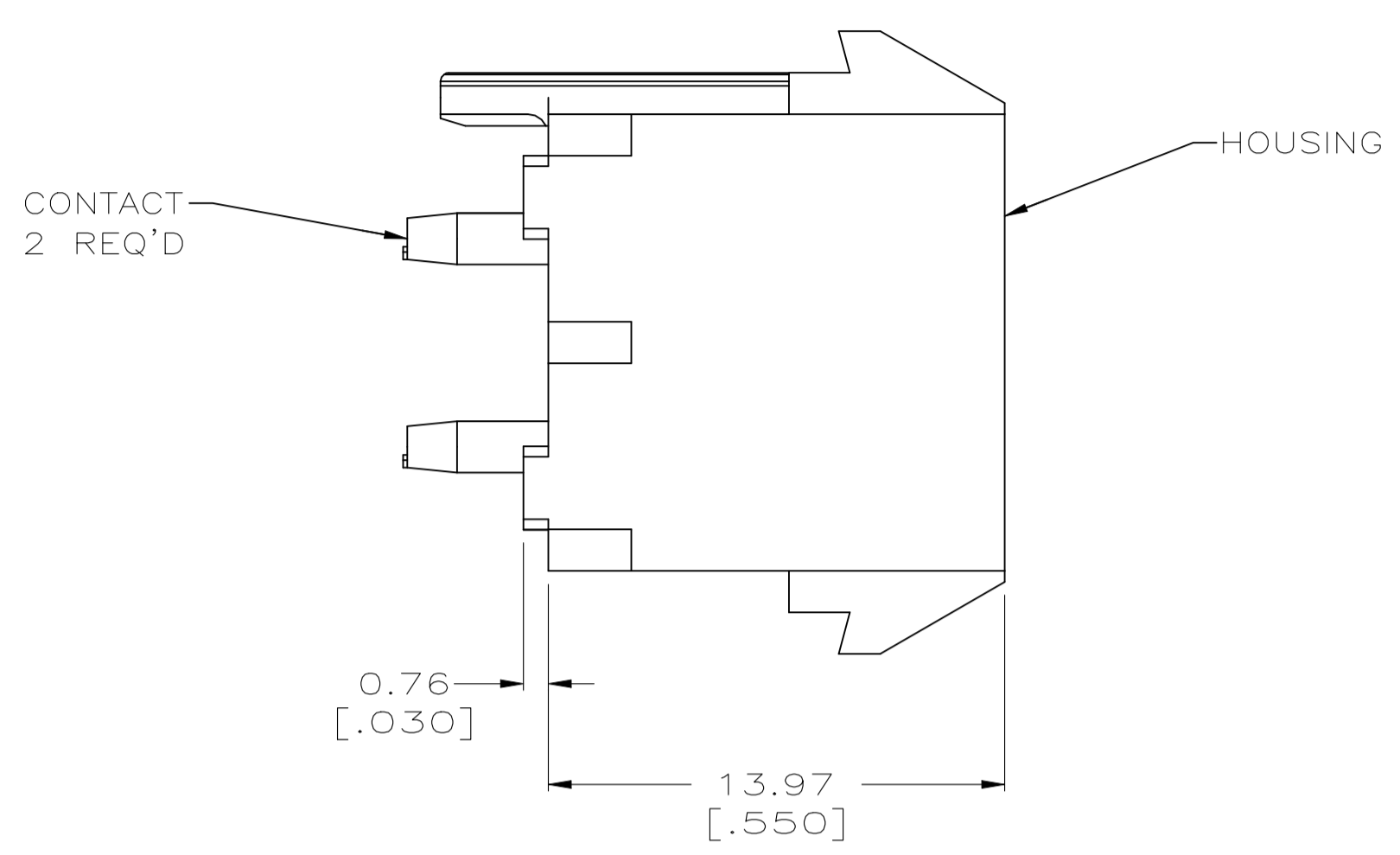
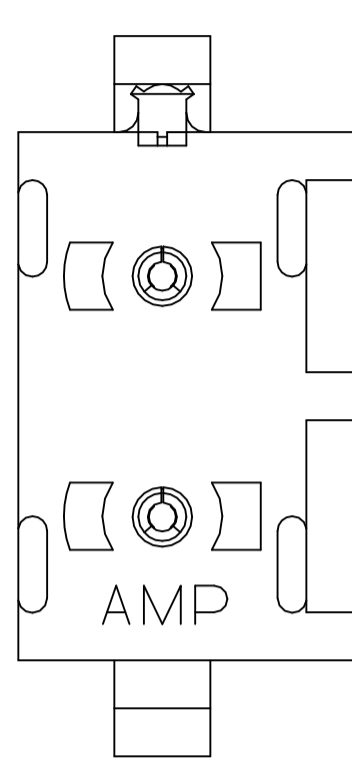


REVISIONS					
REV	DATE	DESCRIPTION	BY	CHK	APP'D
B1	02NOV2021	REVISED PER ECR-21-119230	SS	VS	

- PARTS COMPLY TO AMP SOLDERABILITY SPECIFICATION 109-11-3.
- DIMENSIONS IN BRACKETS ARE IN INCHES.
- \triangle CIRCUIT IDENTIFICATION CHARACTERS ARE ADJACENT TO THE INDICATED CAVITIES, BUT LOCATION AND ORIENTATION MAY DIFFER FROM PRINT.
- FLAMMABILITY V2 FOR THICKNESS 0.38mm, 1.5mm, and 3.0mm PER IEC 60695-11-10.
- GLOW-WIRE FLAMMABILITY (GWFI) 800°C FOR THICKNESS 0.38mm AND 0.75mm PER IEC 60695-2-12.
- GLOW-WIRE FLAMMABILITY (GWFI) 960°C FOR THICKNESS 1.5mm AND 3.0mm PER IEC 60695-2-12.
- GLOW-WIRE IGNITION (GWIT) 825°C FOR THICKNESS 0.38mm, 0.75mm, 1.5mm AND 3.0mm PER IEC 60695-2-13.
- DIMENSIONS SHOWN REPRESENT PRODUCT IN DRY CONDITION. ADDITIONAL 2% GROWTH DUE TO END USE LOCATION MOISTURE ABSORPTION MAY OCCUR AND SHOULD BE ACCOUNTED FOR.



PHOSPHOR BRONZE, PRE-TIN	NYLON,UL94V-2,NATURAL	1586955-1
PIN CONTACT MATERIAL AND FINISH	HOUSING MATERIAL	PART NUMBER

THIS DRAWING IS A CONTROLLED DOCUMENT.		DIN K. WHITAKER 26JUL2007		TE Connectivity	
DIMENSIONS: mm [INCHES]		CHK D. COLEY 26JUL2007		NAME	
TOLERANCES UNLESS OTHERWISE SPECIFIED:		APP'D D. COLEY 26JUL2007		PRODUCT SPEC	
0 PLC ± -		APPLICATION SPEC		SIZE	
1 PLC ± -		SIZE		CAGE CODE	
2 PLC ± 0.13 [.005]		DRAWING NO		RESTRICTED TO	
3 PLC ± -		WEIGHT 0.000000		A1 00779 C=1586955	
4 PLC ± -		CUSTOMER DRAWING		SCALE 5:1 SHEET 1 OF 1 REV B1	
ANGLES ± α 30°					

单击下面可查看定价，库存，交付和生命周期等信息

[>>TE Connectivity\(泰科\)](#)