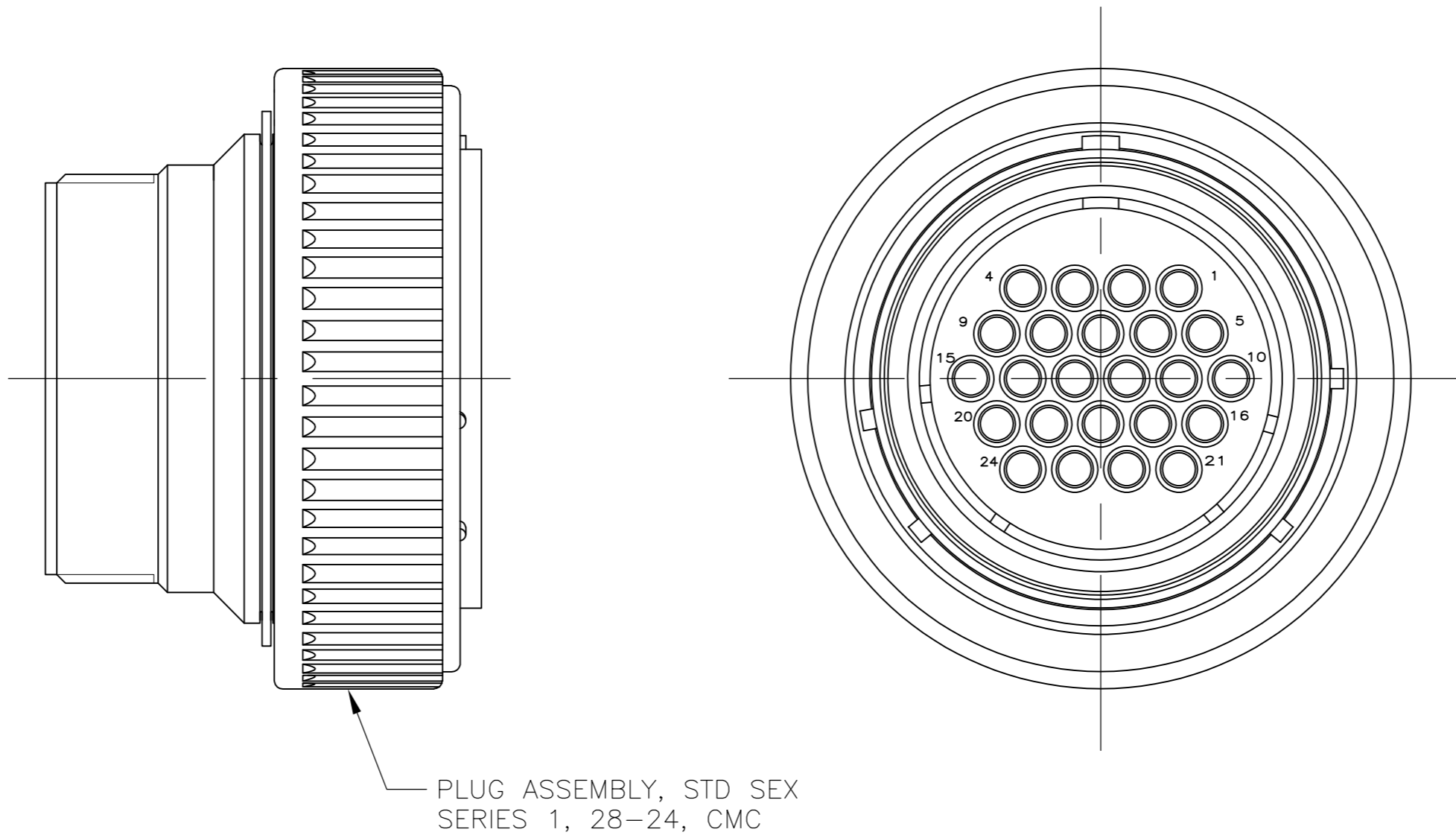


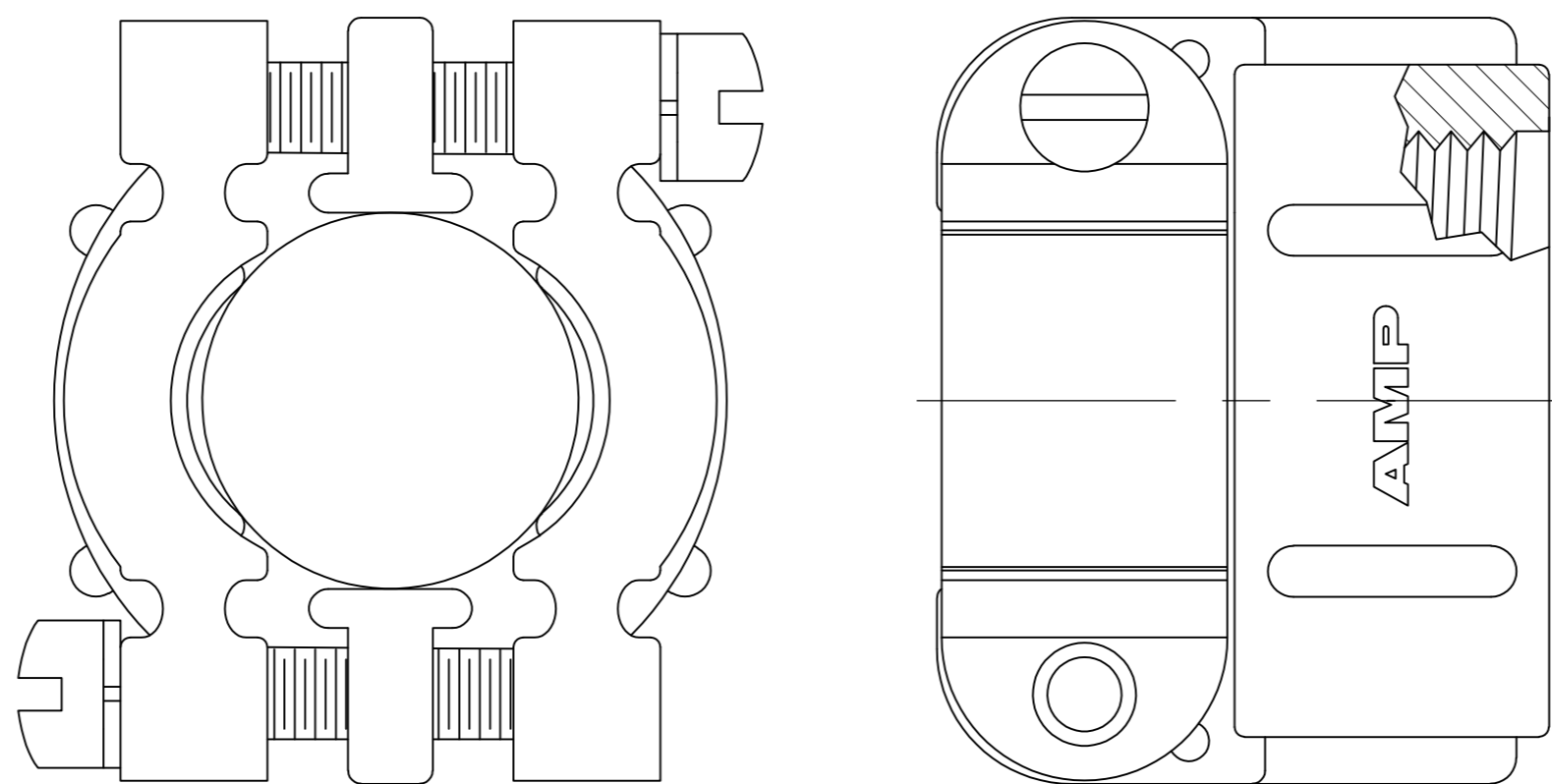
THIS DRAWING IS UNPUBLISHED. RELEASED FOR PUBLICATION
 © COPYRIGHT BY TYCO ELECTRONICS CORPORATION. ALL RIGHTS RESERVED.

LOC	DIST	REVISIONS			
P	LTR	DESCRIPTION	DATE	DWN	APVD
FT	0	A -	7/18/07	SS	SH

- KIT TO INCLUDE (1) CABLE CLAMP ASSEMBLY AND (1) PLUG ASSEMBLY EACH PACKAGED SEPARATELY IN (1) CONTAINER.



PLUG ASSEMBLY, STD SEX
 SERIES 1, 28-24, CMC



CABLE CLAMP KIT, SHOWN ASSEMBLED
 SIZE 28

1986221-1
 PART NUMBER

THIS DRAWING IS A CONTROLLED DOCUMENT.		DWN	S SCHLEGEL	7/18/07	Tyco Electronics Corporation Harrisburg, PA 17105-3608																		
DIMENSIONS: INCHES		CHK	S HEADER	7/18/07																			
TOLERANCES UNLESS OTHERWISE SPECIFIED:		APVD	S HEADER	7/18/07																			
<table border="0"> <tr><td>0 PLC</td><td>±</td><td>-</td></tr> <tr><td>1 PLC</td><td>±</td><td>-</td></tr> <tr><td>2 PLC</td><td>±</td><td>-</td></tr> <tr><td>3 PLC</td><td>±</td><td>-</td></tr> <tr><td>4 PLC</td><td>±</td><td>-</td></tr> <tr><td>ANGLES</td><td>±</td><td>-</td></tr> </table>		0 PLC	±	-		1 PLC	±	-	2 PLC	±	-	3 PLC	±	-	4 PLC	±	-	ANGLES	±	-	PRODUCT SPEC	NAME	
0 PLC	±	-																					
1 PLC	±	-																					
2 PLC	±	-																					
3 PLC	±	-																					
4 PLC	±	-																					
ANGLES	±	-																					
MATERIAL		FINISH		WEIGHT	SIZE	CAGE CODE	DRAWING NO	RESTRICTED TO															
-		-		-	A2	00779	C=1986221	-															
CUSTOMER DRAWING				SCALE	2:1	SHEET	1 of 1	REV	A														

单击下面可查看定价，库存，交付和生命周期等信息

[>>TE Connectivity\(泰科\)](#)