

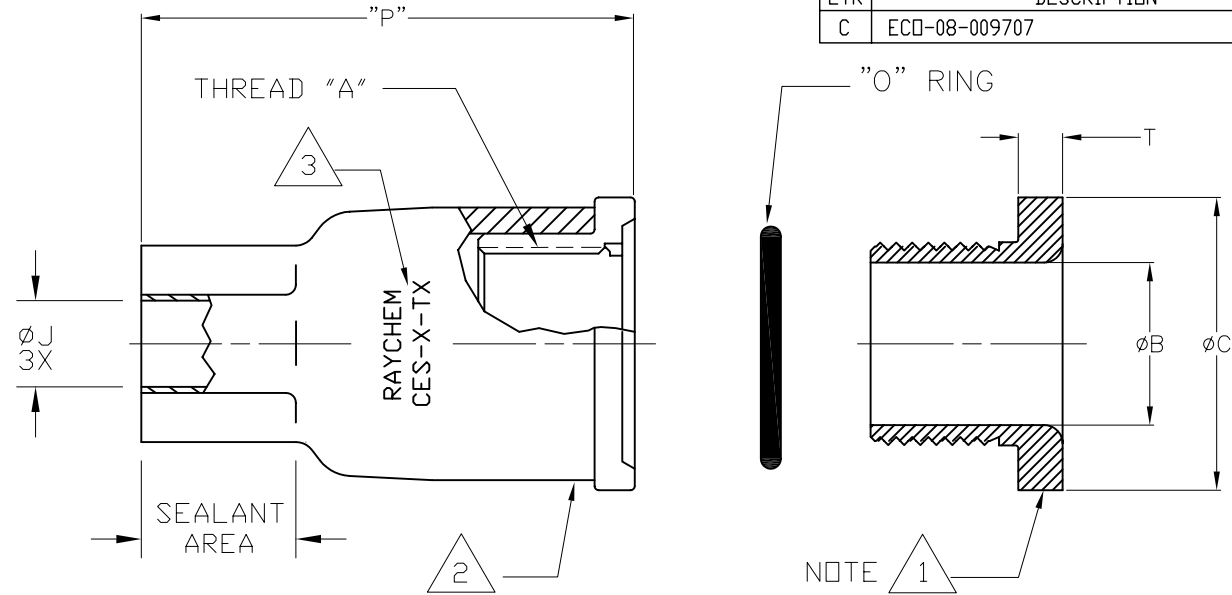
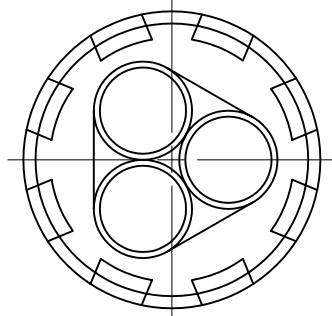
4

3

2

1

REVISIONS		
LTR	DESCRIPTION	DATE
C	ECO-08-009707	04/17/2008



PART DESCRIPTION	"A" THREAD	ØB MIN	ØC MAX	ØJ		P REF REC	T REF	PANEL THK ⁴
				MIN EXP	MAX REC			
CES-2-T1	1-12 UNF	.76 [19,31]	1.41 [35,82]	.33 [8,38]	.12 [3,05]	3.50 [88,90]	.21 [5,33]	1/4 [6,35]
CES-3-T1	1 3/8-12 UNF	1.11 [28,20]	1.91 [48,52]	.60 [15,3]	.17 [4,57]	3.76 [95,5]	.31 [7,88]	1/4 [6,35]
CES-4-T1	2-8 UN	1.60 [40,64]	2.72 [69,09]	.82 [20,83]	.30 [7,62]	5.20 [132,08]	.31 [7,88]	3/8 [9,65]
CES-5-T4	3 3/8-8 UN	2.91 [73,92]	4.10 [104,14]	1.25 [31,75]	.50 [12,7]	5.20 [132,08]	.31 [7,88]	1/2 [12,7]

NOTES:

- ¹ MATERIAL: STANDARD BLACK NYLON
- ² HEAT SHRINKABLE BOOT MATERIAL IN ACCORDANCE WITH -3 POLYOLEFIN
- ³ PART TO BE MARKED AS SHOWN, REPLACE X'S WITH APPROPRIATE CHARACTERS (e.g. CES-2-T1).
- ⁴ THIS PART IS DESIGNED TO FIT THROUGH A PANEL OR BULKHEAD WITH A MAXIMUM WALL THICKNESS AS INDICATED IN TABLE.

If this document is printed it becomes uncontrolled. Check for the latest revision

CUSTOMER DRAWING

UNLESS OTHERWISE SPECIFIED DIMENSIONS ARE INCHES. METRIC DIMENSIONS ARE IN BRACKETS.	DRAWN	DATE		Raychem Molded Parts 305 Constitution Dr Menlo Park, CA 94025	
	UNGUYEN	04/17/2008			
DECIMAL TOLERANCES	THIRD ANGLE PROJECTION		TITLE		
.XXX ± 0.005 [0.13 mm]			CABLE ENTRY SEAL, 3 ENTRY		
.XX ± 0.01 [0.25 mm]			SIZE	CODE IDENT. NO.	DWG. NO.
.X ± 0.1 [0.50 mm]			B	06090	CES-X-TX
ANGLE TOLERANCE	© 2007-2008 Tyco Electronics Corporation. All rights reserved.		DO NOT SCALE THIS DRAWING		
.X ± 1 DEG.			SHEET 1 OF 1		

4

3

2

1

单击下面可查看定价，库存，交付和生命周期等信息

[>>TE Connectivity\(泰科\)](#)