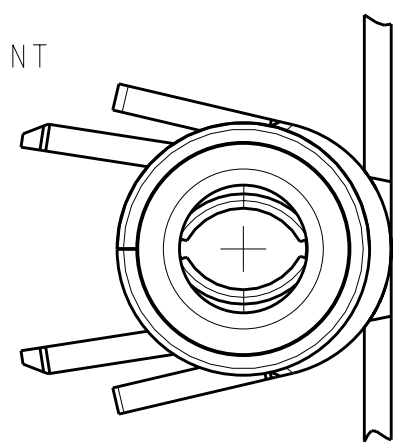
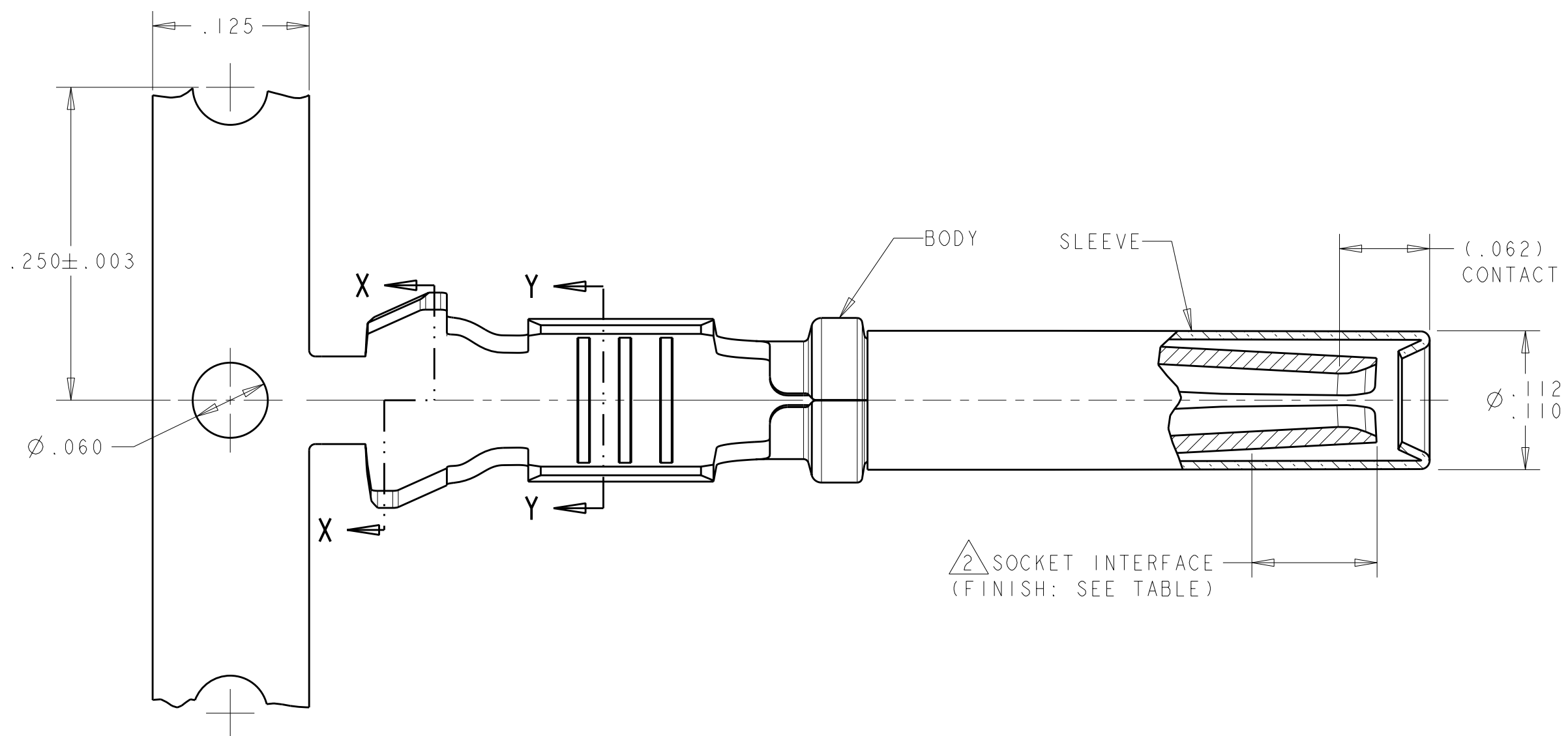
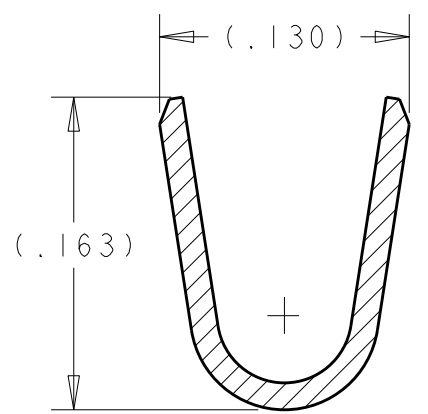
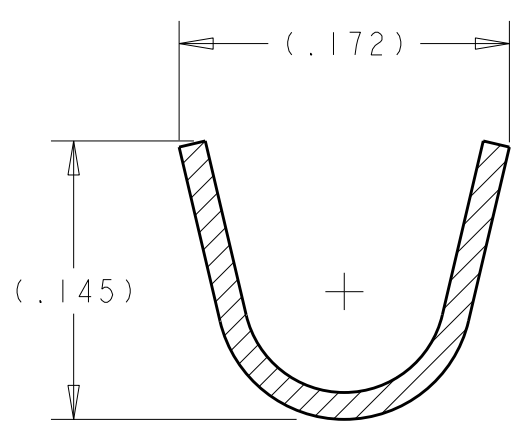
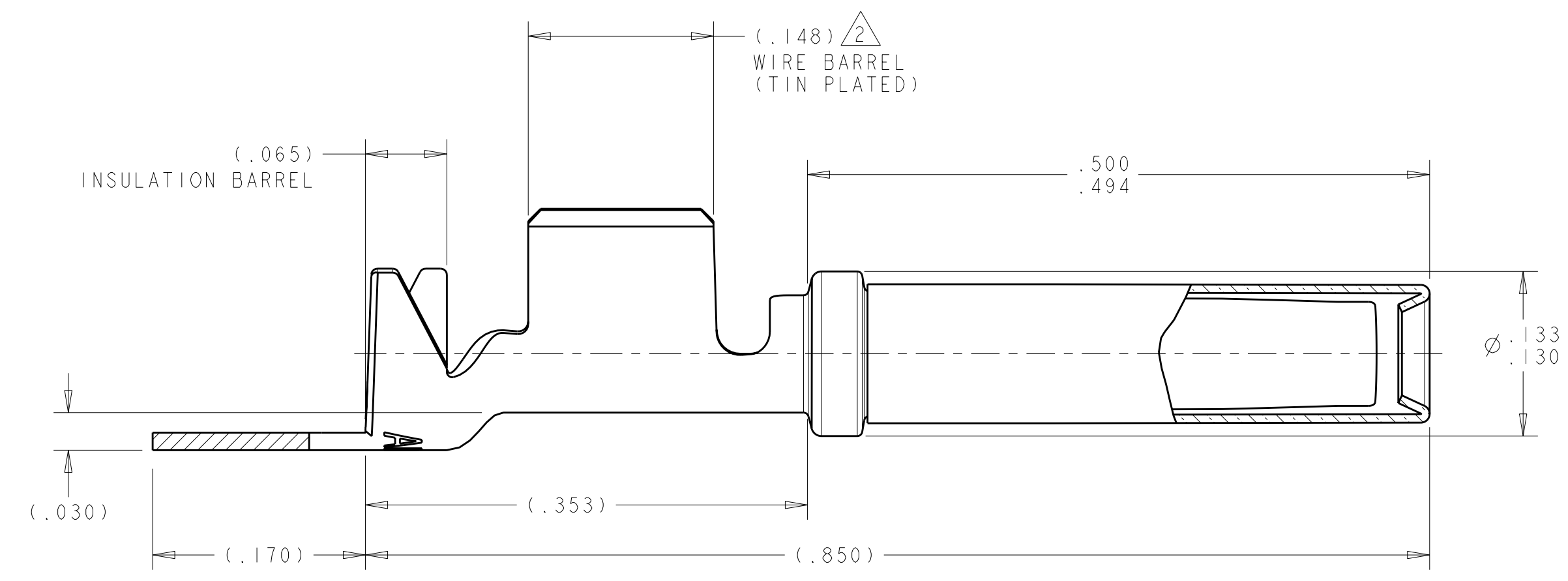


THIS DRAWING IS UNPUBLISHED. RELEASED FOR PUBLICATION 20  
 © COPYRIGHT 20 BY TYCO ELECTRONICS CORPORATION. ALL INTERNATIONAL RIGHTS RESERVED.

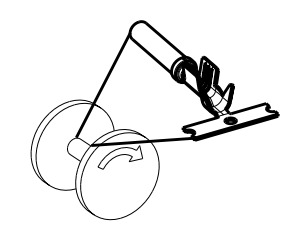
REVISIONS					
P	LTR	DESCRIPTION	DATE	DWN	APVD
A		RELEASED PER ECO-10-008447	21APR2010	DLD	MPT



- 1 MATERIAL:  
 BODY: .014 THICK COPPER ALLOY  
 SLEEVE: .007 THICK STAINLESS STEEL (PASSIVATED)
- 2 FINISH:  
 ALL OVER: .000040-.000080 THICK NICKEL  
 WIRE BARREL: .000100-.000200 THICK TIN  
 SOCKET INTERFACE: (SEE TABLE)  
 FOR P/N 2098253-1 ONLY: .000030 MIN THICK GOLD
3. WIRE RANGE: 1.5 SQ.MM. TO 2.5 SQ.MM.  
 INSULATION DIAMETER RANGE: Ø.083-Ø.128 [Ø2.10-Ø3.25 MM]  
 NOTE: THE CONNECTOR THIS TERMINAL IS ASSEMBLED INTO  
 MAY LIMIT THE SUITABLE INSULATION DIAMETER RANGE BASED ON  
 THE TERMINAL CONFIGURATION.
4. CONTACT TO BE LUBED WITH LUBRICANT PER TYCO ELECTRONICS  
 P/N 22014-4
5. SLEEVE MUST NOT BE PULLED OFF WHEN A 10 LB FORCE IS APPLIED  
 IN A DIRECTION PARALLEL TO CENTER OF TERMINAL.



REELING DIRECTION  
 OFF TOP OF REEL



NICKEL	2098253-2
GOLD	2098253-1
FINISH SOCKET INTERFACE (REFERENCE)	PART NUMBER

THIS DRAWING IS A CONTROLLED DOCUMENT FOR TYCO ELECTRONICS CORPORATION IT IS SUBJECT TO CHANGE AND THE CONTROLLING ENGINEERING ORGANIZATION SHOULD BE CONTACTED FOR THE LATEST REVISION.		DWN J. SANDBURG 01 JUL 2009	Tyco Electronics Harrisburg, PA 17105-3608	
DIMENSIONS: INCHES		CHK M. TRULL 06 JUL 2009	NAME SOCKET CONTACT ASSEMBLY SIZE 16 1.5 SQ.MM TO 2.5 SQ.MM. WIRE	
TOLERANCES UNLESS OTHERWISE SPECIFIED:		APVD M. TRULL 14 JUL 2009	RESTRICTED TO	
0 PLC ± 1 PLC ± 2 PLC ±.02 3 PLC ±.005 4 PLC ± ANGLES ± FINISH		PRODUCT SPEC -	SIZE A2	CAGE CODE 00779
MATERIAL		APPLICATION SPEC 114-13045	DRAWING NO C-2098253	REV A
1 - 2 -		WEIGHT -	SCALE 10:1 SHEET 1 OF 1	
CUSTOMER DRAWING				

单击下面可查看定价，库存，交付和生命周期等信息

[>>TE Connectivity\(泰科\)](#)