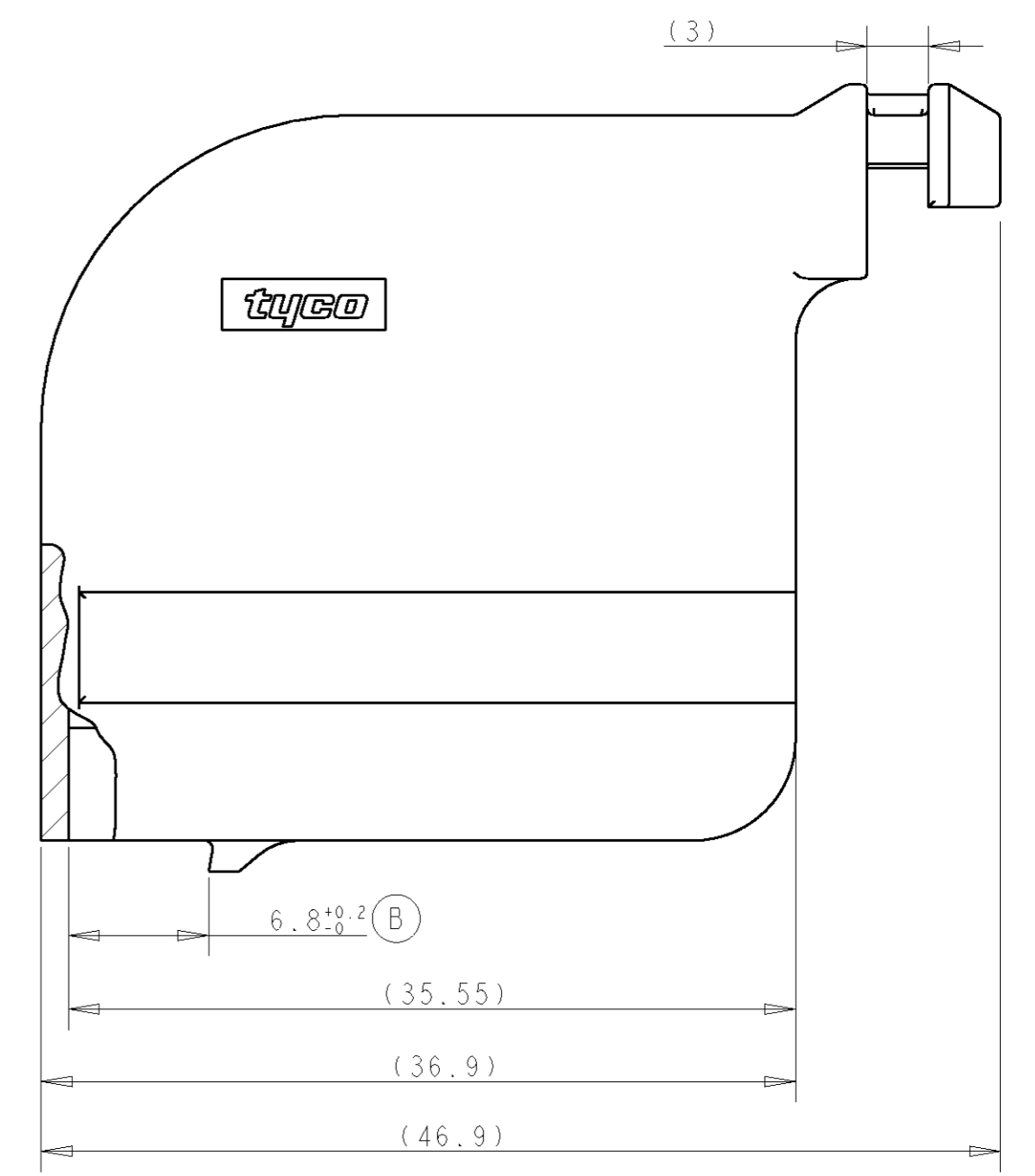
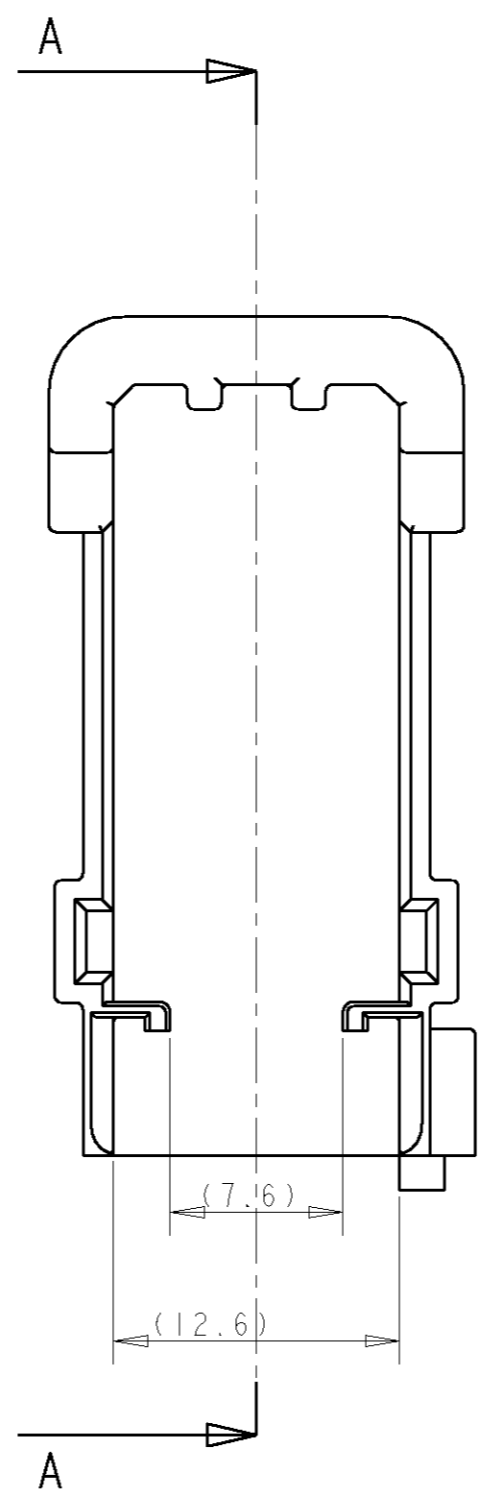
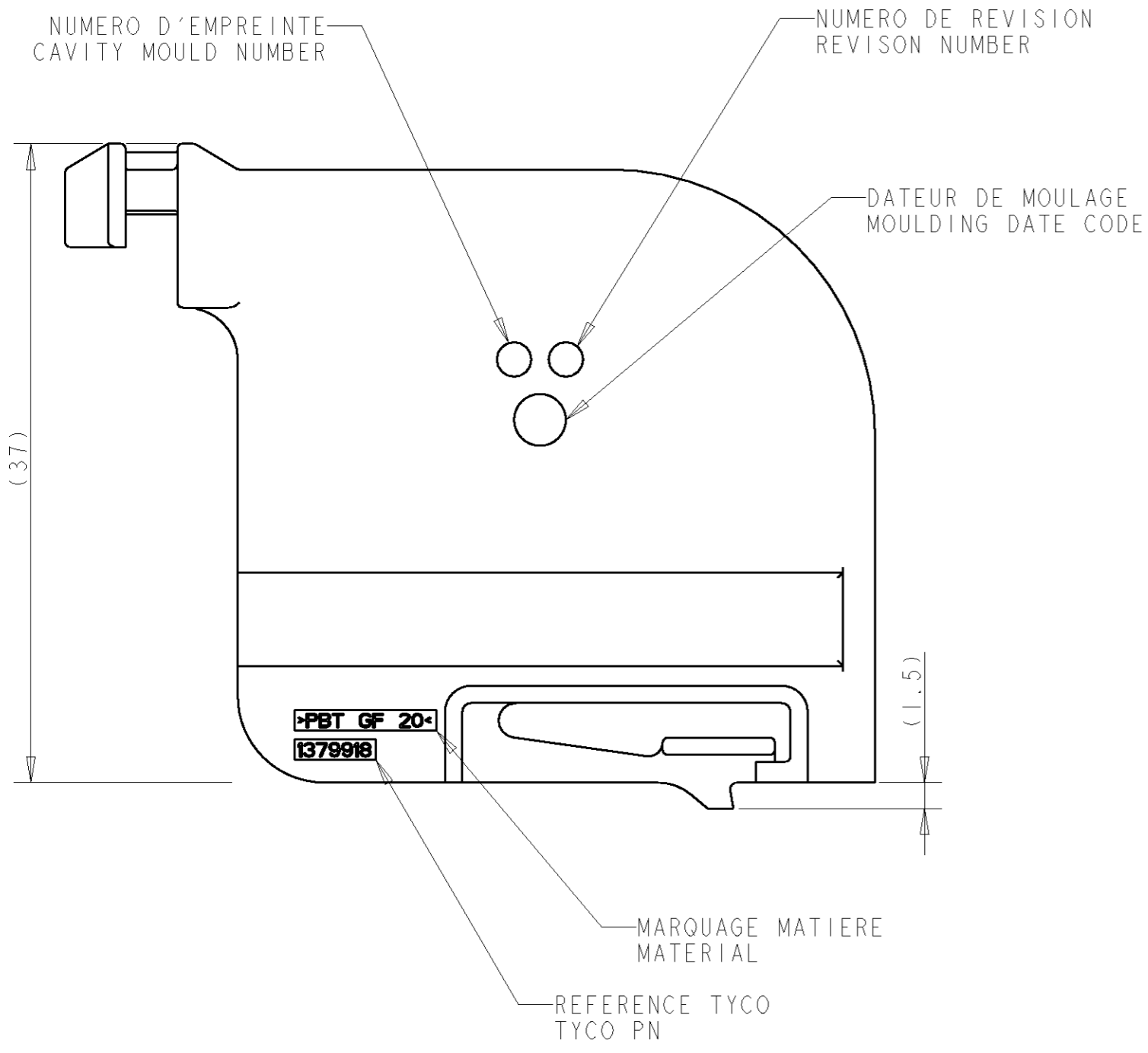
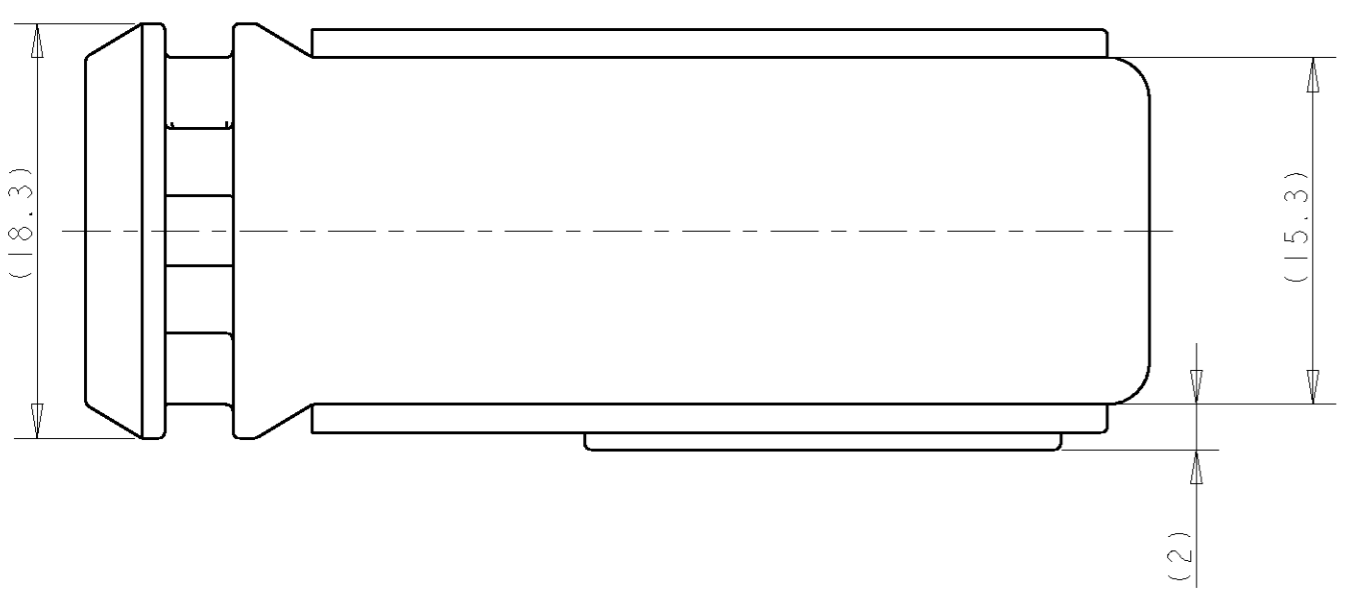


THIS DRAWING IS UNPUBLISHED. / RELEASED FOR PUBLICATION / DIFFUSION RESTREINTE / LIBRE A LA DIFFUSION / 20  
 BY TYCO ELECTRONICS CORPORATION. ALL RIGHTS RESERVED. / TOUS DROITS RESERVES.

LOC	DIST	REVISIONS					
F	00	P	LTR	DESCRIPTION MODIFICATIONS	DATE	DWN DESS.	APVD APP.
		A		RELEASE	20SEP2005	AB	XR
		B		SEE BUBBLE B	27JAN2006	AB	XR



COUPE A - A



REFERENCE TYCO TYCO PN	COULEUR COLOUR	MATIERE MATERIAL
1379918-1	NOIR BLACK	PBT 20% FV PBT 20% FG

NOTES :

- 1 - PIECE A UTILISER AVEC/PART TO USE WITH:
  - LANGUETTES/TAB MQS REF 928918-X ET/AND MPQ 1355933-X
  - PORTE-LANGUETTES/TAB HOUSING 20 VOIES MQS MPQ HYBRIDES X-1379913-X
- 3 - CAHIER DE PRECONISATIONS/REQUIREMENT SHEET : 411-15698

THIS DRAWING IS A CONTROLLED DOCUMENT FOR TYCO ELECTRONICS CORPORATION. IT IS SUBJECT TO CHANGE AND THE CONTROLLING ENGINEERING ORGANIZATION SHOULD BE CONTACTED FOR THE LATEST REVISION. CE PLAN EST UN DOCUMENT CONTROLÉ PAR TYCO ELECTRONICS. IL EST SUSCEPTIBLE D'ÊTRE REVISÉ. CONTACTER LE SERVICE TECHNIQUE DE TYCO ELECTRONICS POUR OBTENIR LA DERNIÈRE RÉVISION.		DWN /DESSINE 27FEB2004 A. BARLEMONT CHK /VERIFIE 27FEB2004 M. POLIFONTE APVD /APPROUVE 27FEB2004 X. ROULLIARD		<b>tyco</b> TYCO ELECTRONICS France SAS <b>Electronics</b> BP 30039, 95301 CERGY-PONTOISE Cedex	
DIMENSIONS: mm TOLERANCES UNLESS OTHERWISE SPECIFIED: TOLERANCES NON SPECIFIEES (SUIV. NR. DE DECIMALES) ±0.2 ANGLES: ±5° FINISH/FINITION		PRODUCT SPEC 108-15343 APPLICATION SPEC 411-15698 WEIGHT 7 g MASSE APPROX.		NAME TITRE CAPOT POUR PORTE-LANGUETTES 20 VOIES HYBRIDE SIZE FORMAT A2 CAGE CODE 00779 DRAWING NO No PLAN C-1379918 RESTRICTED TO RESERVE A -	
MATERIAL/MATIERE VOIR TABLEAU		CUSTOMER DRAWING /PLAN CLIENT		UNIFORMENT POUR REFERENCE SCALE ECHELLE 3:1 SHEET FEUILLE OF DE REV B	

单击下面可查看定价，库存，交付和生命周期等信息

[>>TE Connectivity\(泰科\)](#)