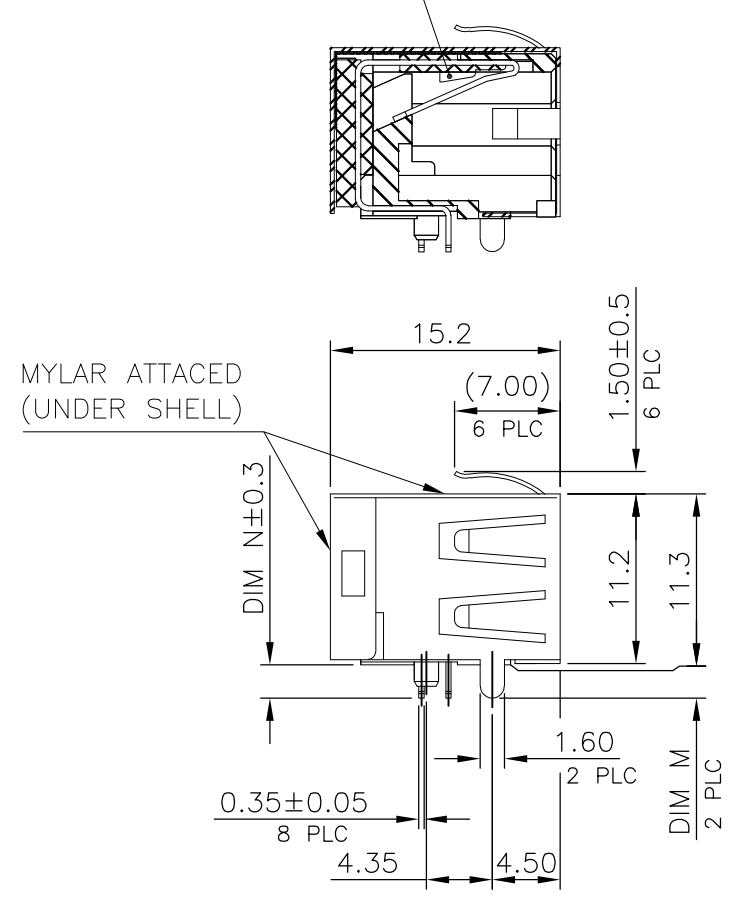


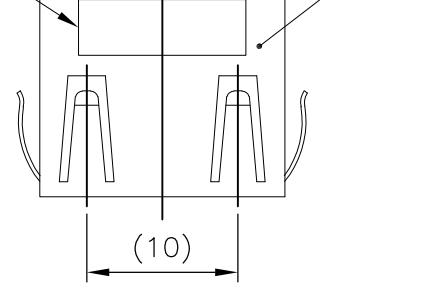
THIS DRAWING IS UNPUBLISHED. RELEASED FOR PUBLICATION
 © COPYRIGHT - By - ALL RIGHTS RESERVED.

REVISIONS					
P	LTR	DESCRIPTION	DATE	DWN	APVD
B		REVISED ECO-16-016666)	03OCT2016	LL	SH

RJ11 PREVENTER

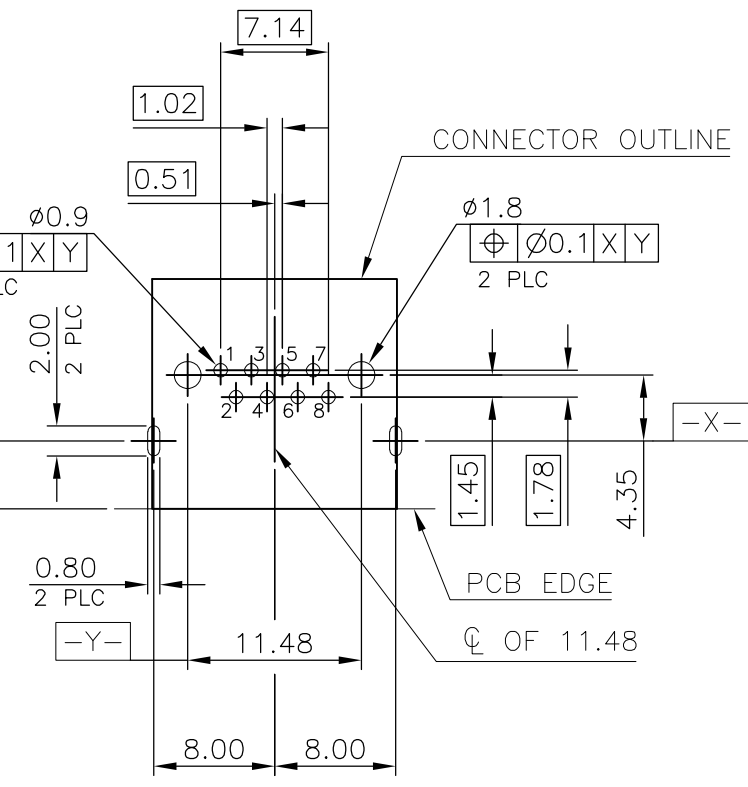


LOGO & DATA CODE SHELL

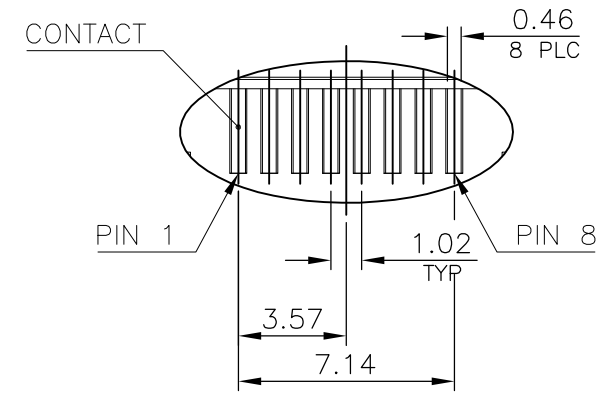
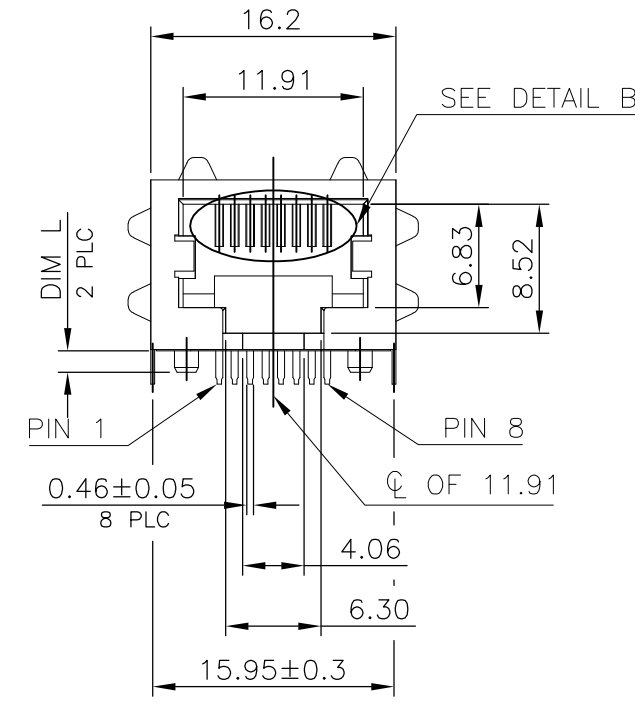


NOTE:

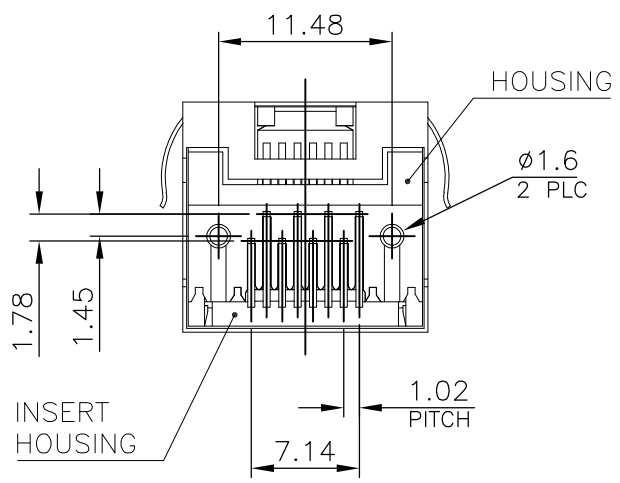
- MATERIAL:
 - HOUSING: PA46, WITH 30% GF, UL94 V-0, BLACK COLOR.
 - INSERT HOUSING: PA46, WITH 30% GF, UL94 V-0, BLACK COLOR.
 - CONTACTS: PHOSPHOR BRONZE.
 - SHELL: BRASS.
 - MYLAR: SILICONE POLYMER
- FINISH:
 - CONTACTS: (SEE TABLE) GOLD PLATED ON CONTACT AREA. GOLD FLASH ON SOLDER TAIL. 1.27um [50u"] MIN. NICKEL UNDERPLATED OVERALL.
 - SHELL: 0.508um [20u"] MIN. NICKEL PLATED OVERALL.
- WAVE SOLDER CAPABLE TO 265°C PER TE SPEC 109-202, CONDITION B.



RECOMMENDED PCB THICKNESS: 1.6mm
 TOLERANCE: ±0.05 (TOP VIEW)



OBSOLETE	4.06	3.5	3.5	3.5	WITH	1.27um[50u"]	2041035-5
							0.762um[30u"]
	3.97	2.2	2.2	1.4		0.381um[15u"]	2041035-3
						0.152um[6u"]	2041035-2
							2041035-1
WEIGHT (gram)	DIM N	DIM M	DIM L	SHELL	MIN. GOLD THICKNESS	PART NUMBER	



THIS DRAWING IS A CONTROLLED DOCUMENT.

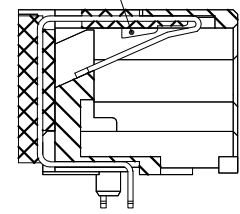
DIMENSIONS:	TOLERANCES UNLESS OTHERWISE SPECIFIED:
mm	
	0 PLC ± -
	1 PLC ± 0.3
	2 PLC ± 0.2
	3 PLC ± 0.15
	4 PLC ± -
	ANGLES ± 3'
MATERIAL	FINISH
-	-

DWN B. HSING 20JUL2009	STE TE Connectivity	
CHK S. CHIEN 20JUL2009		
APVD W. KODAMA 20JUL2009	NAME	
PRODUCT SPEC 108-57779	MODULAR JACK CONNECTOR	
APPLICATION SPEC	RJ45, 8P8C, TAB DOWN	
	SIDE ENTRY, DIP TYPE, H=11.3MM	
WEIGHT SEE TABLE	SIZE A3	CAGE CODE 00779
CUSTOMER DRAWING	DRAWING NO C-2041035	RESTRICTED TO -
	SCALE 1:1	SHEET 1 OF 3
		REV B

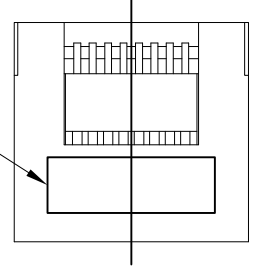
THIS DRAWING IS UNPUBLISHED. RELEASED FOR PUBLICATION
 © COPYRIGHT - By - ALL RIGHTS RESERVED.

REVISIONS				
P	LTR	DESCRIPTION	DATE	APVD
-	-	SEE SHEET 1	-	-

RJ11 PREVENTER

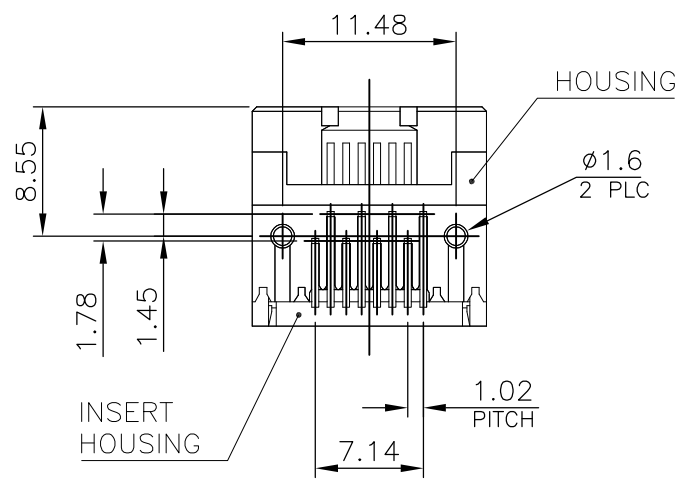
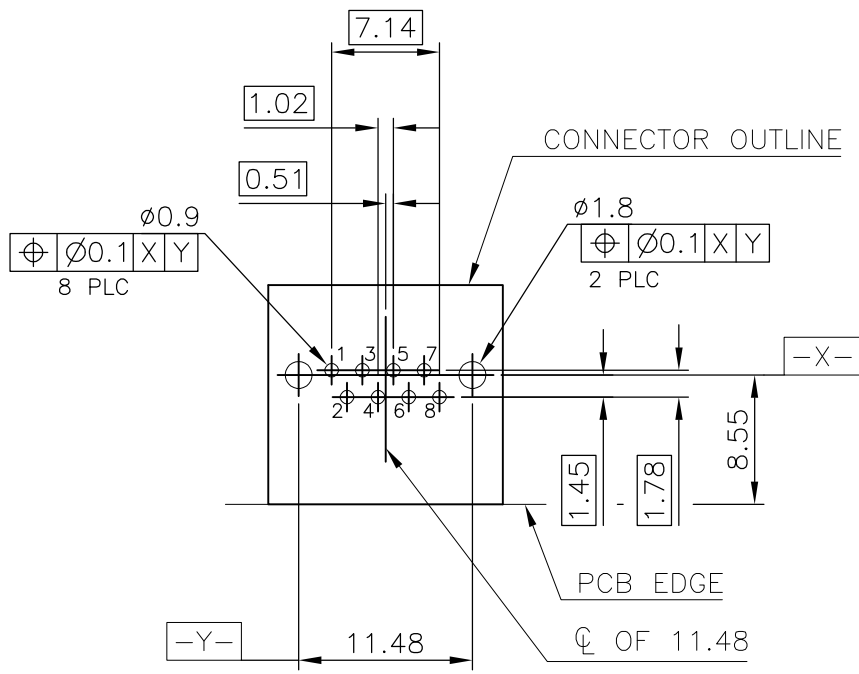
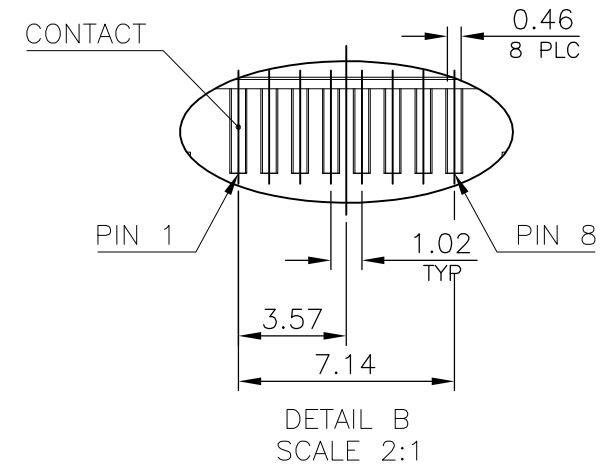
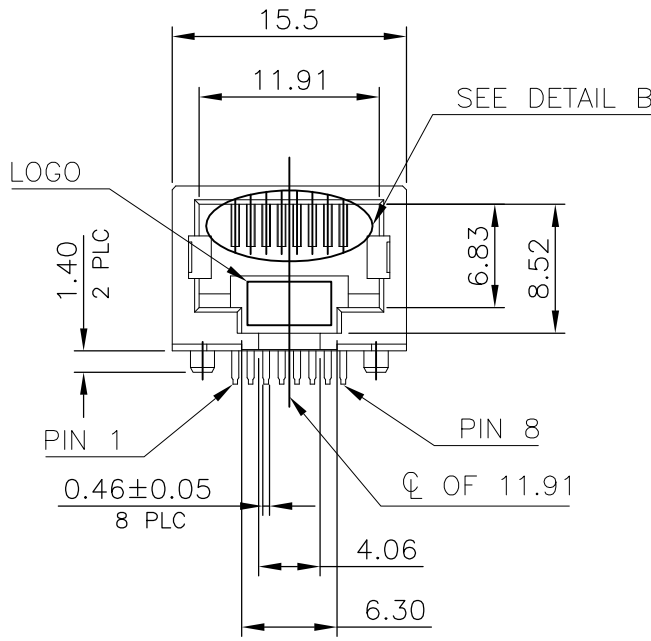
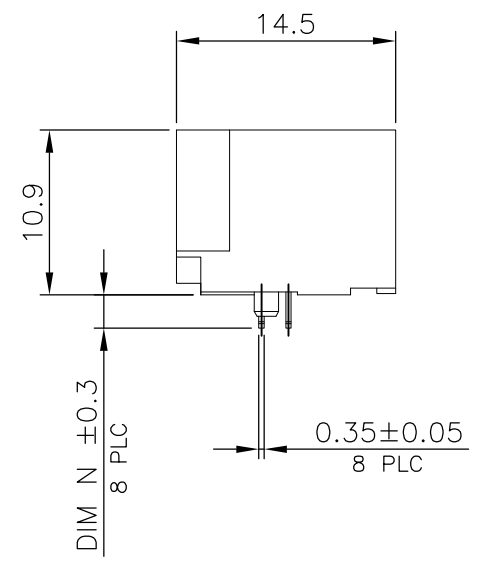


DATA CODE



NOTE:

- MATERIAL:
 - HOUSING: PA46, WITH 30% GF, UL94 V-0, BLACK COLOR.
 - INSERT HOUSING: PA46, WITH 30% GF, UL94 V-0, BLACK COLOR.
 - CONTACTS: PHOSPHOR BRONZE.
- FINISH:
 - CONTACTS: (SEE TABLE) GOLD PLATED ON CONTACT AREA. GOLD FLASH ON SOLDER TAIL. 1.27um [50u"] MIN. NICKEL UNDERPLATED OVERALL.
 - SHELL: 0.508um [20u"] MIN. NICKEL PLATED OVERALL.
- WAVE SOLDER CAPABLE TO 265°C PER TE SPEC 109-202, CONDITION B.



2.39	3.5	W/O	1.27um[50u"]	1-2041035-5
2.37	2.2	W/O	1.27um[50u"]	1-2041035-4
WEIGHT (gram)	DIM N	SHELL	MIN. GOLD THICKNESS	PART NUMBER

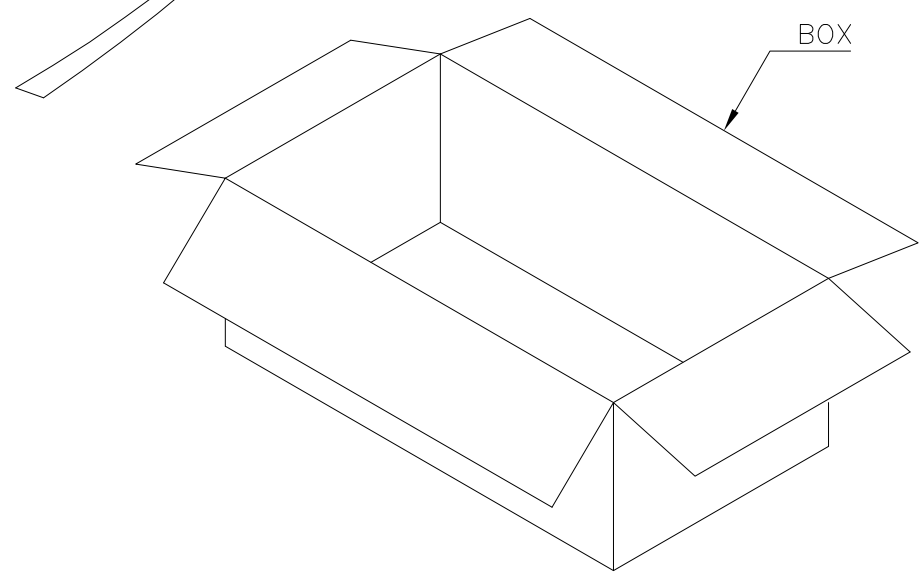
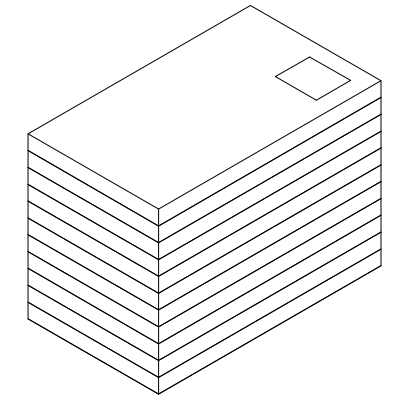
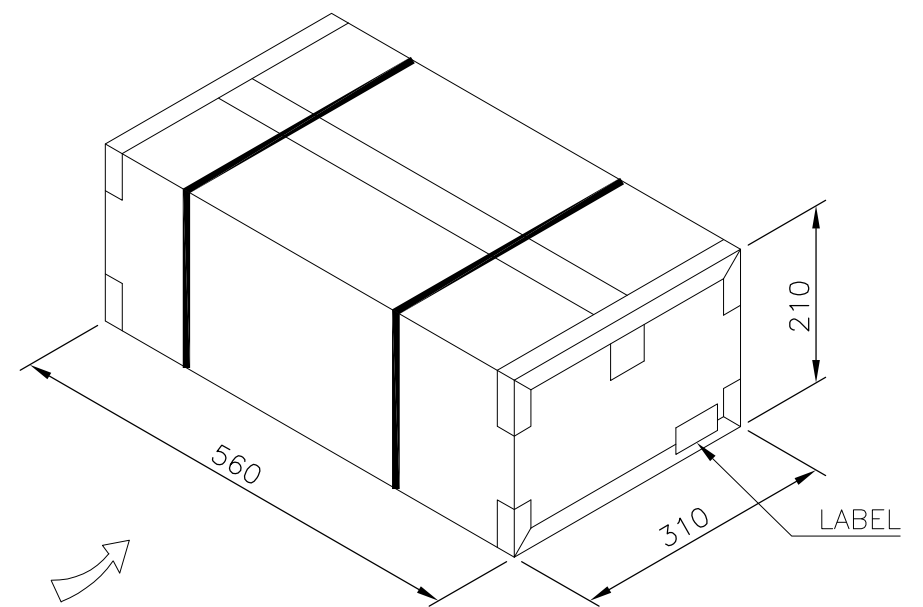
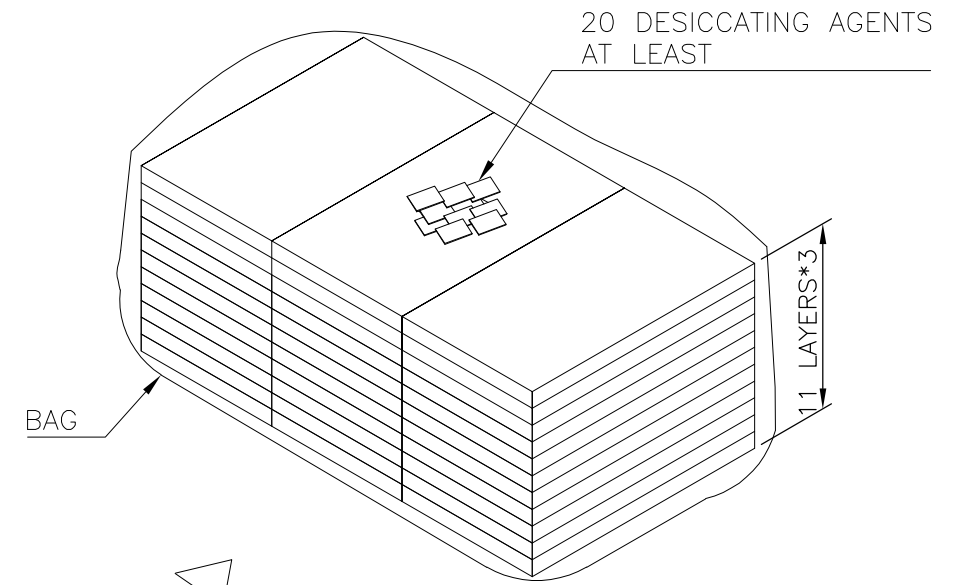
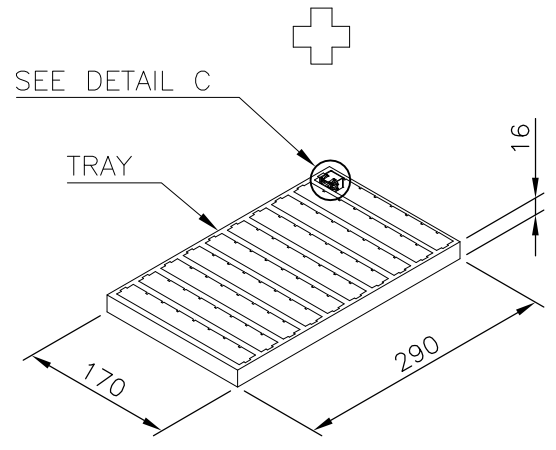
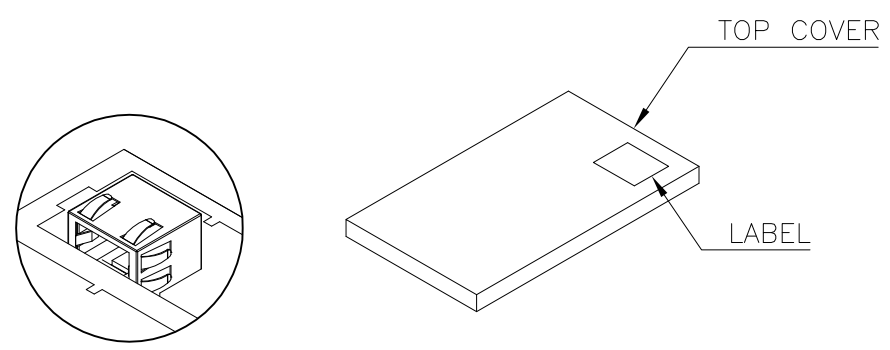
RECOMMENDED PCB LAYOUT
 RECOMMENDED PCB THICKNESS: 1.6mm
 TOLERANCE: ±0.05 (TOP VIEW)

THIS DRAWING IS A CONTROLLED DOCUMENT.		DWN B. HSING 20JUL2009	TE Connectivity	
		CHK S. CHIEN 20JUL2009		
		APVD W. KODAMA 20JUL2009		
		NAME		
DIMENSIONS: mm		PRODUCT SPEC 108-57779	MODULAR JACK CONNECTOR	
TOLERANCES UNLESS OTHERWISE SPECIFIED:		APPLICATION SPEC	RJ45, 8P8C, TAB DOWN	
0 PLC ± -		SIZE	SIDE ENTRY, DIP TYPE, H=11.3MM	
1 PLC ± 0.3		CAGE CODE	RESTRICTED TO	
2 PLC ± 0.2		DRAWING NO	A300779 C-2041035	
3 PLC ± 0.15		WEIGHT	SCALE 1:1 SHEET 2 OF 3 REV B	
4 PLC ± -		CUSTOMER DRAWING		
ANGLES ± 3'				
FINISH				

THIS DRAWING IS UNPUBLISHED. RELEASED FOR PUBLICATION
 © COPYRIGHT - By - ALL RIGHTS RESERVED.

REVISIONS					
P	LTR	DESCRIPTION	DATE	DWN	APVD
-	-	SEE SHEET 1	-	-	-

- NOTES:
- MATERIAL:
 - 1.1 TRAY: PET
 - 1.2 TOP TRAY: PET
 - 1.3 AIRTIGHT BAG: PET
 - 1.4 CARTON: CORRUGATED FIBER.
 - DIMENSION: SEE DRAWING
 - QUANTITY: SEE TABLE
 - WEIGHT: SEE TABLE



GROSS WEIGHT	NET WEIGHT	PCS/ TRAY	TRAY/ BOX	PCS/ BOX	PART NUMBER
10.2 Kg	7.1 Kg	33	90	2970	1-2041035-5
					1-2041035-4
13.8 Kg	10.7 Kg				2041035-5
					2041035-4
13.6 Kg	10.5 Kg	33	80	2640	2041035-3
					2041035-2
					2041035-1

THIS DRAWING IS A CONTROLLED DOCUMENT.		DWN B. HSING 20JUL2009	TE Connectivity			
DIMENSIONS: mm		CHK S. CHIEN 20JUL2009				
TOLERANCES UNLESS OTHERWISE SPECIFIED:		APVD W. KODAMA 20JUL2009	NAME			
0 PLC ± - 1 PLC ± 0.3 2 PLC ± 0.2 3 PLC ± 0.15 4 PLC ± - ANGLES ± 3°		PRODUCT SPEC 108-57779	MODULAR JACK CONNECTOR RJ45, 8P8C, TAB DOWN SIDE ENTRY, DIP TYPE, H=11.3MM			
MATERIAL		APPLICATION SPEC	SIZE	CAGE CODE	DRAWING NO	RESTRICTED TO
-		FINISH	-	A300779	C-2041035	-
CUSTOMER DRAWING			WEIGHT	SCALE	SHEET	REV
-			-	1:1	3 OF 3	B

单击下面可查看定价，库存，交付和生命周期等信息

[>>TE Connectivity\(泰科\)](#)