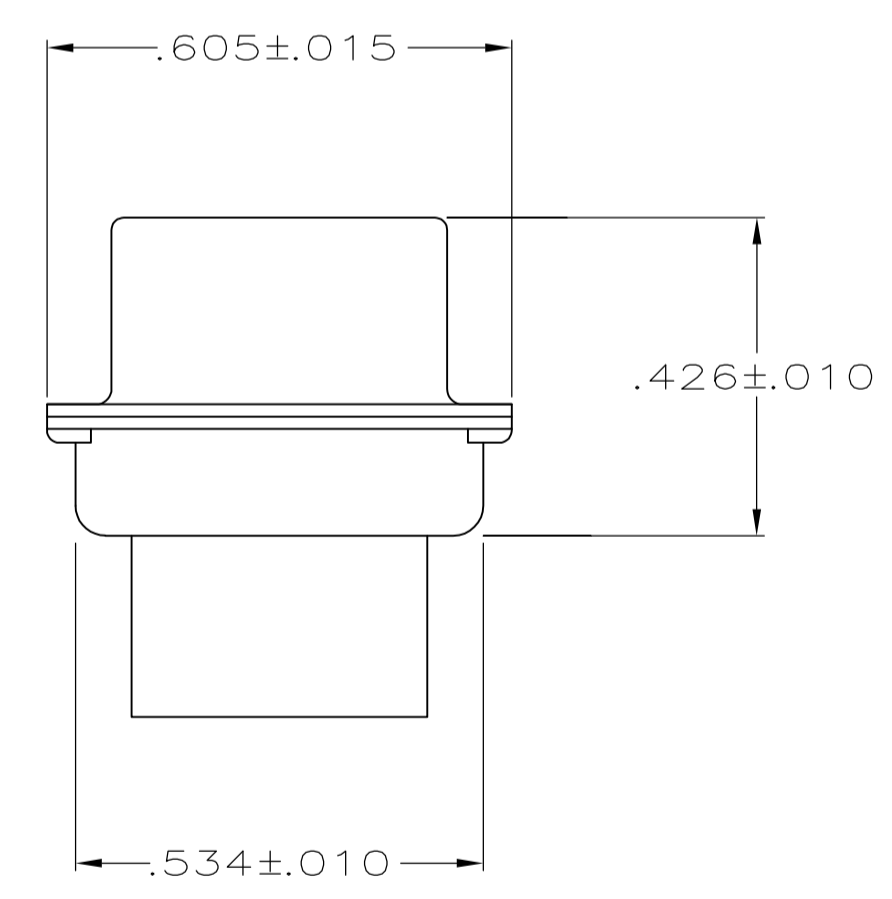
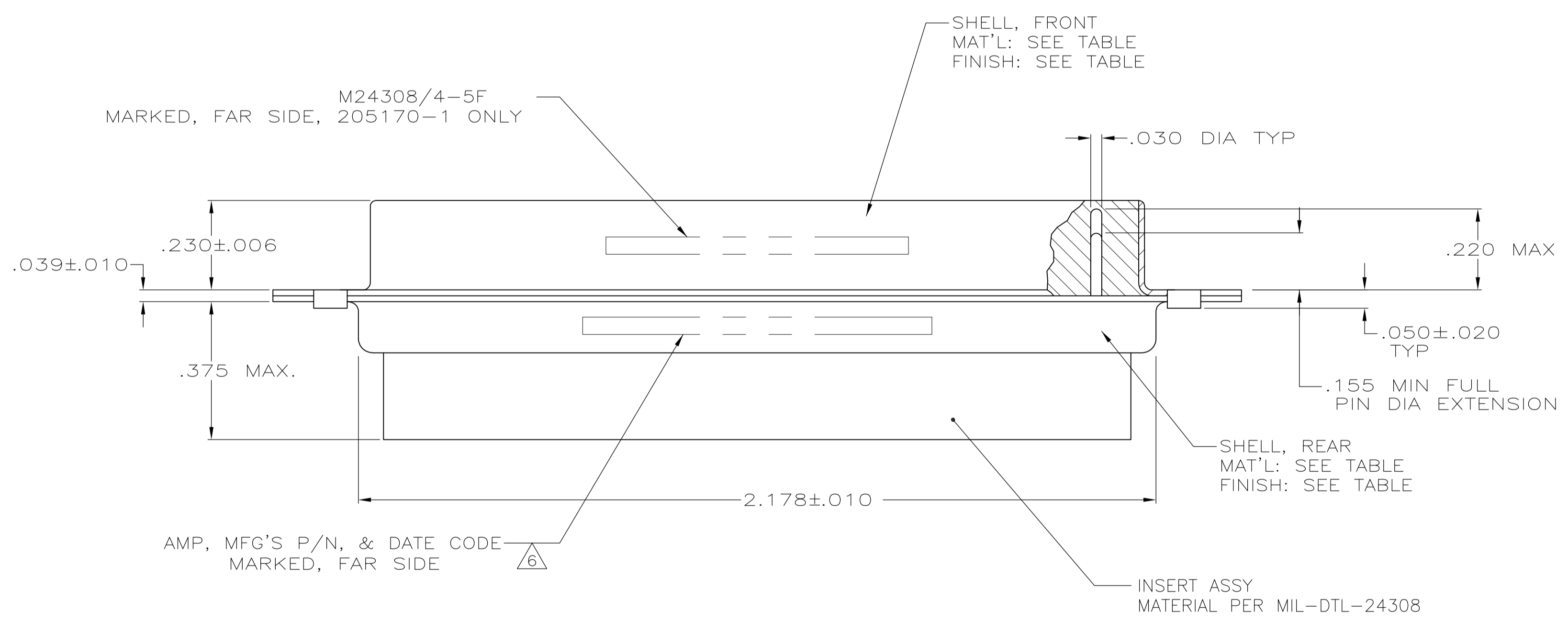
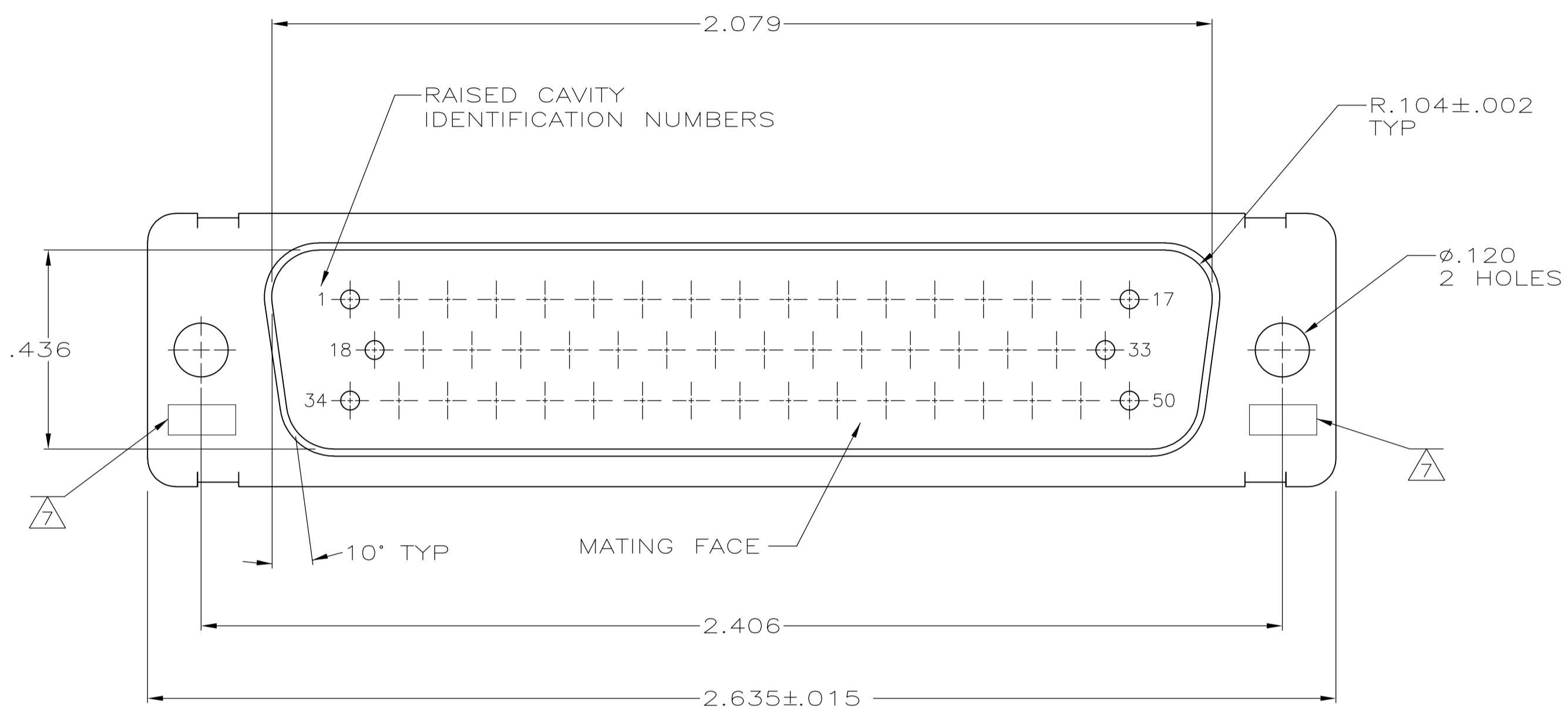


| LOC | | DIST | | REVISIONS | | | |
|-----|-----|-----------------------|---------|-----------|------|--|--|
| P | LTR | DESCRIPTION | DATE | DWN | APVD | | |
| S | | REV PER ECO-15-016062 | 10NOV15 | KG | CD | | |

- THIS PLUG IS DESIGNED TO CONFORM TO THE LATEST ISSUE OF MIL-C-24308.
 - MAXIMUM WIRE INSULATION TO BE USED WITH THIS PLUG IS ϕ .068.
 - STAINLESS STEEL RETENTION CLIPS ARE INCLUDED IN INSERTS.
 - PACKAGE MARKED M 24308/4-263F.
 - THIS PLUG WILL ACCEPT SIZE 20 PIN CONTACT M39029/64-369 OR ANY TYCO ELECTRONICS HD-20 PIN CONTACT.
- \triangle 6 MFG,S PART NO. MARKED ON CONNECTOR REPRESENTS KIT NUMBER WITH CONTACTS.
 \triangle 7 UL/CSA DESIGNATION MARKED IN THIS AREA.
 \triangle 8 FINISH: BRIGHT TIN PER ASTM-B-545 .000400-.000550 THK OVER COPPER PER AMS2418 .000050 MIN THK.
 \triangle 9 FRONT SHELL HAS GROUNDING INDENTS, 205170-4 ONLY, (NOT SHOWN).



| REMARKS | FINISH | SHELL MAT'L | PART NO. |
|-------------------|---------------|----------------------|-------------------------------|
| OBSOLETE | - | \triangle 8 | STEEL PER ASTM-A-109 205170-5 |
| | \triangle 9 | \triangle 8 | STEEL PER ASTM-A-109 205170-4 |
| SUPSD BY 206804-2 | - | CADMIUM PER QQ-P-416 | BRASS 205170-2 |
| | \triangle 6 | CADMIUM PER QQ-P-416 | STEEL PER ASTM-A-109 205170-1 |

THIS DRAWING IS A CONTROLLED DOCUMENT.

| | | | | |
|-----------------------|--|--------------------------|---------------------------|------------------------|
| DIMENSIONS: INCHES | TOLERANCES UNLESS OTHERWISE SPECIFIED: | DIN C.C.THOMAS 08-DEC-87 | APVD F.C.BALLEW 10-DEC-87 | NAME |
| 0 PLC ± - | 1 PLC ± - | 2 PLC ± - | 3 PLC ± .005 | 4 PLC ANGLES ± ± 0'30" |
| MATERIAL SEE CALLOUTS | FINISH SEE CALLOUTS | WEIGHT | SIZE A1 | CAGE CODE 00779 |
| CUSTOMER DRAWING | | SCALE 4:1 | SHEET 1 OF 1 | REV S |

STE TE Connectivity
 AMPLIMITE PLUG FOR PIN CONTACTS
 HI-DENSITY HD-20 CONNECTOR
 SIZE 5 (50 POSN) SERIES 109

单击下面可查看定价，库存，交付和生命周期等信息

[>>TE Connectivity\(泰科\)](#)