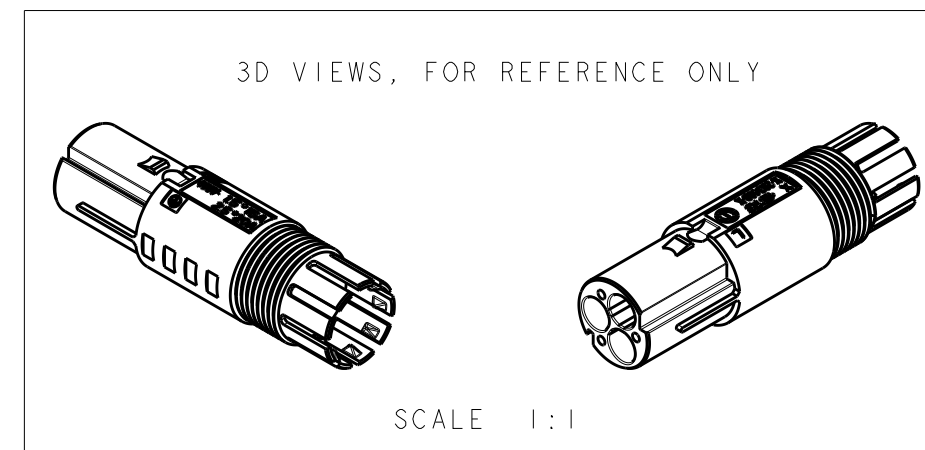
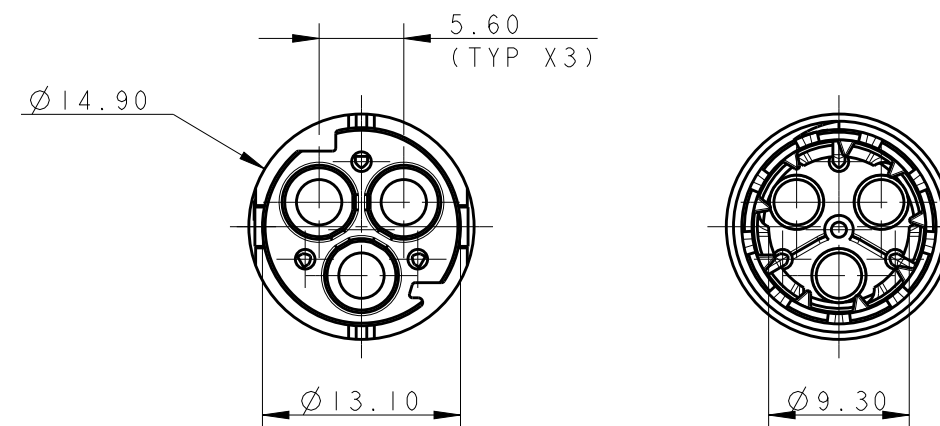
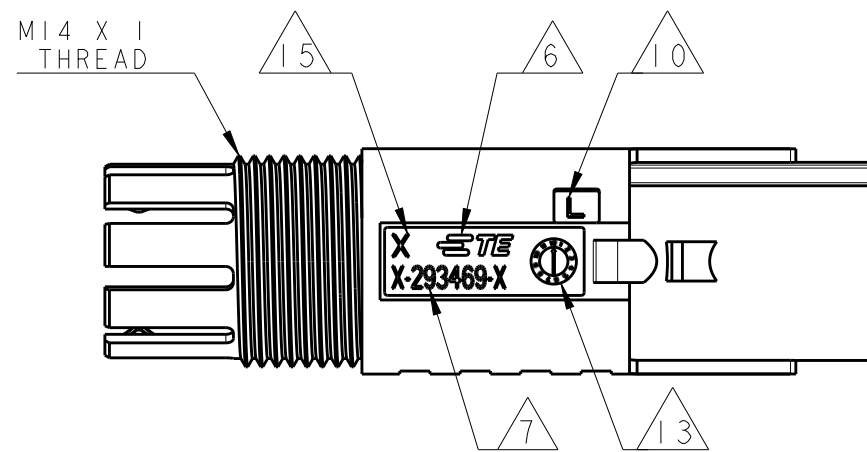
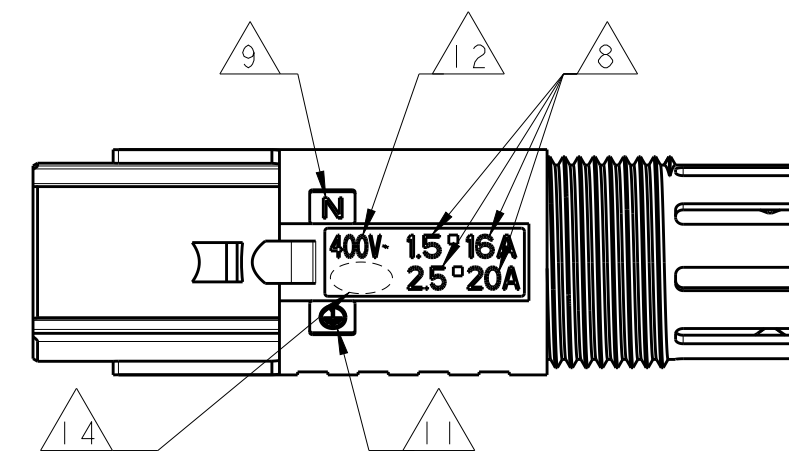
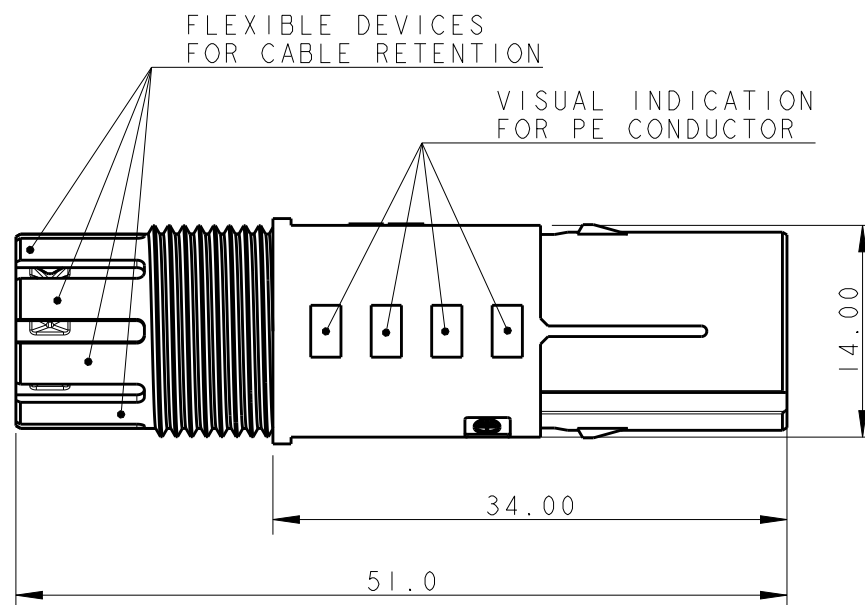


THIS DRAWING IS UNPUBLISHED. RELEASED FOR PUBLICATION 2010
 © COPYRIGHT 2010 Tyco Electronics AMP GmbH ALL RIGHTS RESERVED.


LOC	DIST	REVISIONS			
P	LTR	DESCRIPTION	DATE	DWN	APVD
	G1	REVISED MARKINGS	05NOV2012	MZ	JC
	G2	PARTS -2, -3, 1-2, 1-3 RELEASED FOR PRODUCTION	26JUN2013	KR	JC
	G3	REVISED PART NUMBERS	21JUL2017	SK	ZM
	G4	REVISED PER ECR-18-006945	20SEP2018	SR	MZ

NOTES:

- 1) MATERIAL: POLYAMIDE GLASS FILLED
COLOUR NATURAL
- 2) MATERIAL: POLYAMIDE GLASS FILLED
COLOUR BLACK
- 3) NET WEIGHT: ~4.8 g
- 4) VOLUME: ~3450 mm³
- 5) PACKAGING: SEE TE PACKAGING SPECIFICATION
107-20294
- 6) TE LOGO
- 7) TE PART NUMBER
- 8) CONDUCTOR SIZE AND CURRENT RATING
- 9) N CODE
- 10) L CODE
- 11) PE CODE
- 12) RATED VOLTAGE
- 13) DATE CODE
- 14) AREA FOR AGENCY APPROVAL LOGO
- 15) CAVITY MOULD ID
- 16) PART NOT YET TOOLED AND RELEASED
FOR PRODUCTION



17) FOR CABLE TYPE AND CABLE RANGE REFER TO CUSTOMER DRAWING 293607

THIS DRAWING IS A CONTROLLED DOCUMENT.		DWN M. ZUCCA 06OCT2009	 TE Connectivity		
DIMENSIONS: mm		CHK M. ZUCCA 06OCT2009			
TOLERANCES UNLESS OTHERWISE SPECIFIED:		APVD G. TURCO 06OCT2009	NAME PIN HOUSING FREE HANGING NECTOR* M-LINE 3 POSITIONS UNSEALED VERSION		
0 PLC ± 1 PLC ±0.3 2 PLC ±0.20 3 PLC ± 4 PLC ± ANGLES ±3°		PRODUCT SPEC 108-20304	SIZE A3	CAGE CODE 00779	DRAWING NO C-293469
MATERIAL SEE NOTES		APPLICATION SPEC 114-20152	RESTRICTED TO		
		WEIGHT NOTE 3	SCALE 2:1 SHEET 1 OF 2 REV G4		
		Customer Drawing			

THIS DRAWING IS UNPUBLISHED.

RELEASED FOR PUBLICATION

2010

© COPYRIGHT 2010

Tyco Electronics AMP GmbH

ALL RIGHTS RESERVED.

LOC	DIST	REVISIONS					
		P	LTR	DESCRIPTION	DATE	DWN	APVD
1	-		-	SEE SHEET 1	-	-	-

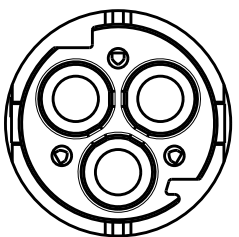
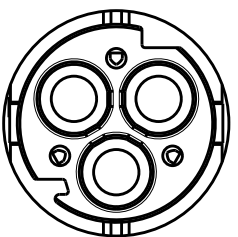
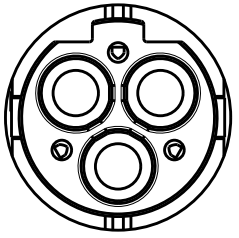
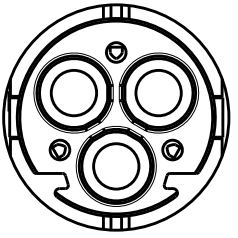
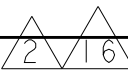








POLARIZATION TYPES	
TYPE "A"	TYPE "B"
	
P/Ns: 0-293469-1, 1-293469-1	P/Ns: 0-293469-2, 1-293469-2
TYPE "C"	TYPE "D"
	
P/Ns: 0-293469-3, 1-293469-3	P/Ns: 0-293469-4 , 1-293469-4

TABLE 1						
OBSOLETE		D	BLACK	PIN HOUSING FREE HANGING VERSION NECTOR* M-LINE	F	1-293469-4
		C	BLACK	PIN HOUSING FREE HANGING VERSION NECTOR* M-LINE	G	1-293469-3
		B	BLACK	PIN HOUSING FREE HANGING VERSION NECTOR* M-LINE	G	1-293469-2
		A	BLACK	PIN HOUSING FREE HANGING VERSION NECTOR* M-LINE	G	1-293469-1
OBSOLETE		D	NATURAL	PIN HOUSING FREE HANGING VERSION NECTOR* M-LINE	F	0-293469-4
		C	NATURAL	PIN HOUSING FREE HANGING VERSION NECTOR* M-LINE	G	0-293469-3
		B	NATURAL	PIN HOUSING FREE HANGING VERSION NECTOR* M-LINE	G	0-293469-2
		A	NATURAL	PIN HOUSING FREE HANGING VERSION NECTOR* M-LINE	G	0-293469-1
NOTE		POL. KEYING	COLOUR	DESCRIPTION	REV.	PART NUMBER

THIS DRAWING IS A CONTROLLED DOCUMENT.		DWN M. ZUCCA 06OCT2009	 TE Connectivity	
DIMENSIONS: mm		CHK M. ZUCCA 06OCT2009		
TOLERANCES UNLESS OTHERWISE SPECIFIED:		APVD G. TURCO 06OCT2009	NAME PIN HOUSING FREE HANGING NECTOR* M-LINE 3 POSITIONS UNSEALED VERSION	
0 PLC ± 1 PLC ±0.3 2 PLC ±0.20 3 PLC ± 4 PLC ± ANGLES ±3°		PRODUCT SPEC 108-20304	SIZE A300779	
MATERIAL SEE NOTES		APPLICATION SPEC 114-20152	DRAWING NO C-293469	
FINISH -		WEIGHT NOTE 3	RESTRICTED TO -	
		Customer Drawing	SCALE 2:1 SHEET 2 OF 2 REV G4	

单击下面可查看定价，库存，交付和生命周期等信息

[>>TE Connectivity\(泰科\)](#)