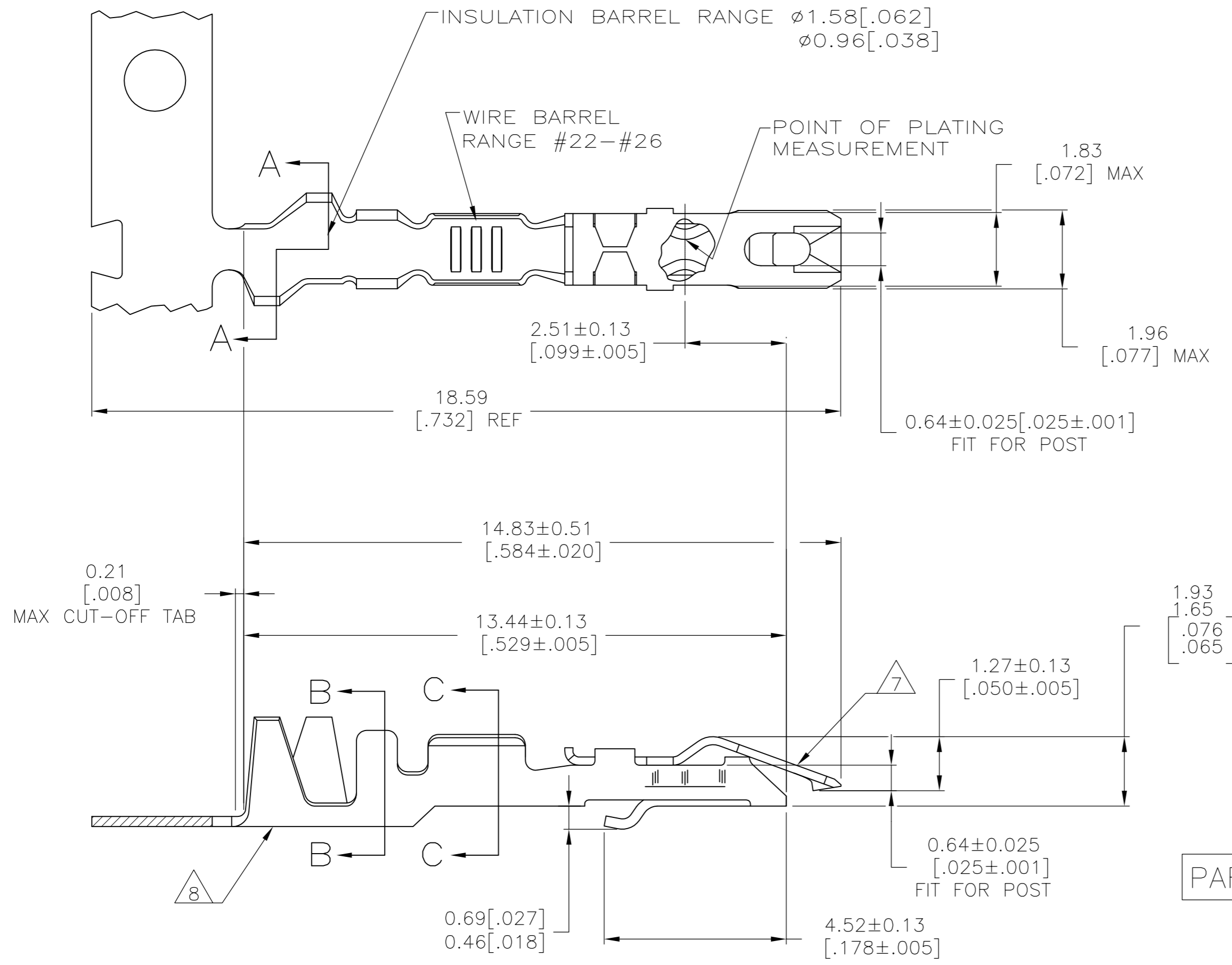


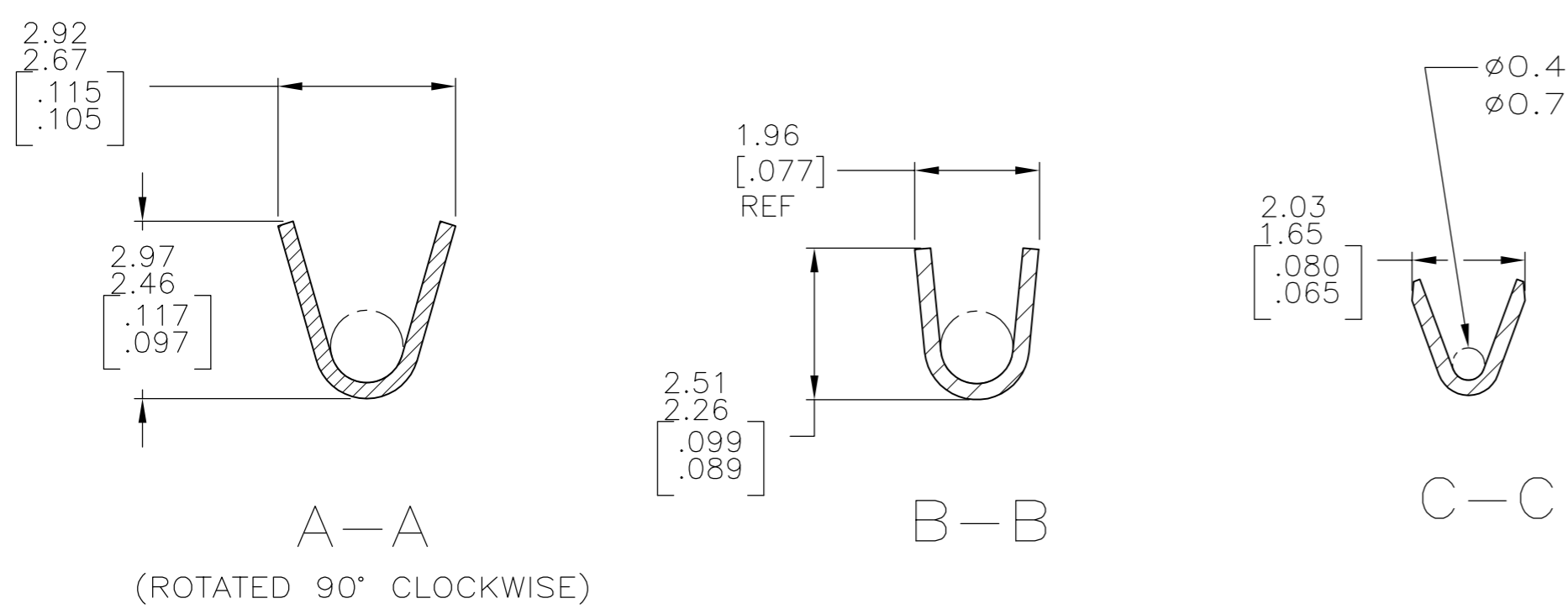
THIS DRAWING IS UNPUBLISHED. RELEASED FOR PUBLICATION  
 © COPYRIGHT - By - ALL RIGHTS RESERVED.

REVISIONS				
P	LTR	DESCRIPTION	DATE	APVD
S1		REVISED PER ECO-11-004820	11MAR11	RK HMR
S2		REVISED PER ECO-16-006924	28APR2017	RS JO



- 1 REELED FOR MINI-APPLICATOR.
- 2 REELED FOR STRIPPER CRIMPER.
- 3 PLATED WITH 0.00076[.00030] GOLD IN CONTACT AREA, GOLD FLASH ON REMAINDER, OVER 0.00127[.000050] NICKEL.
- 4 PLATED WITH 0.00127[.000050] GOLD IN CONTACT AREA, GOLD FLASH ON REMAINDER, OVER 0.00127[.000050] NICKEL.
- 5 PLATED WITH 0.00254[.000100] TIN-LEAD OVER 0.00127[.000050] NICKEL - ENTIRE CONTACT.
- 6 PLATED WITH 0.00127[.000050] GOLD OVER 0.00127[.000050] NICKEL - ENTIRE CONTACT.
- 7 SPRING MATERIAL: STAINLESS STEEL.
- 8 BODY MATERIAL: PHOS BRONZE - FINISH: SEE TABLE.
- 9 PLATED WITH .000100 TIN OVER .000050 NICKEL OVER ENTIRE CONTACT.

PART NUMBER 1-87124-2 SUPERCEDED BY 5-87124-2



OBsolete  
OBsolete

1	3	9-87165-1	9-87124-1
1	9	5-87165-2	5-87124-2
1	9	-	1-87124-2
2	3	87165-1	1-87124-1
-	6	87165-4	87124-4
1	4	87165-3	87124-3
1	5	87165-2	87124-2
1	3	87165-1	87124-1
REMARKS	BODY FINISH	PART NO (LOOSE PIECE)	PART NUMBER (STRIP)

DIMENSIONS:		TOLERANCES UNLESS OTHERWISE SPECIFIED:		DWN		E. BRANDBERG		23SEP94	
mm [INCHES]		0 PLC	± -	CHK	S. SHUEY	23SEP94		TE Connectivity	
		1 PLC	± -	APVD	D. DUPLER	23SEP94		NAME	
		2 PLC	± -	PRODUCT SPEC		CONTACT - LOCKING CLIP FOR		0.64[.025] SQUARE POST	
		3 PLC	± -	APPLICATION SPEC		SIZE		CAGE CODE	
		4 PLC	± -	FINISH		DRAWING NO		RESTRICTED TO	
MATERIAL		SEE TABLE		WEIGHT		-		A2 00779 C=87124	
SEE CALLOUT		SEE TABLE		CUSTOMER DRAWING		SCALE		10:1 SHEET 1 of 1 REV S2	

单击下面可查看定价，库存，交付和生命周期等信息

[>>TE Connectivity\(泰科\)](#)