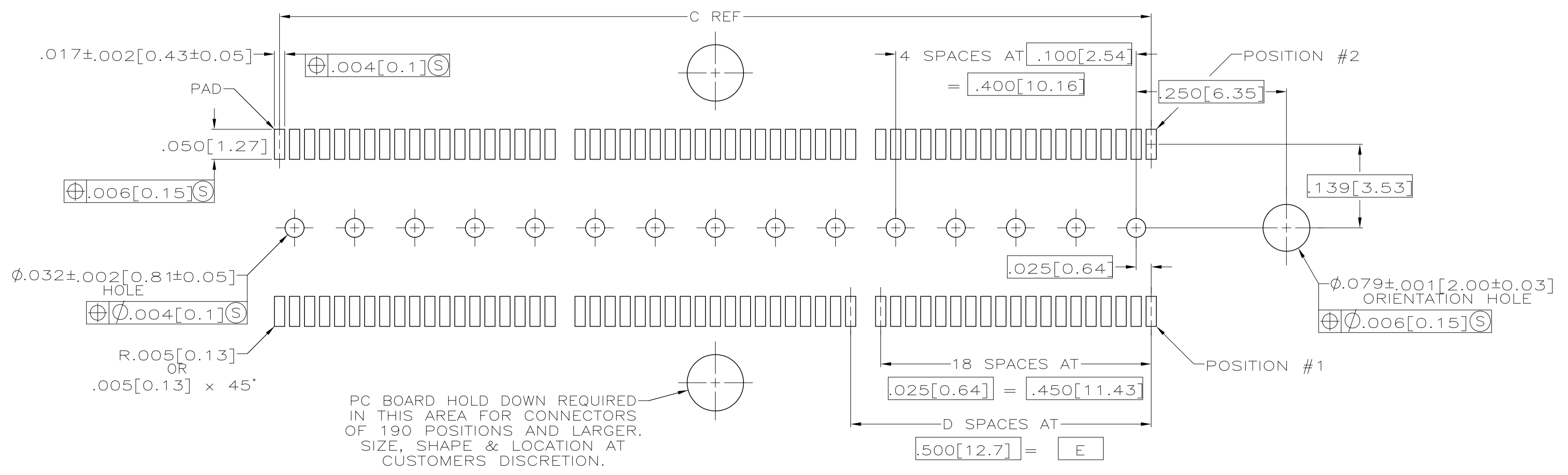
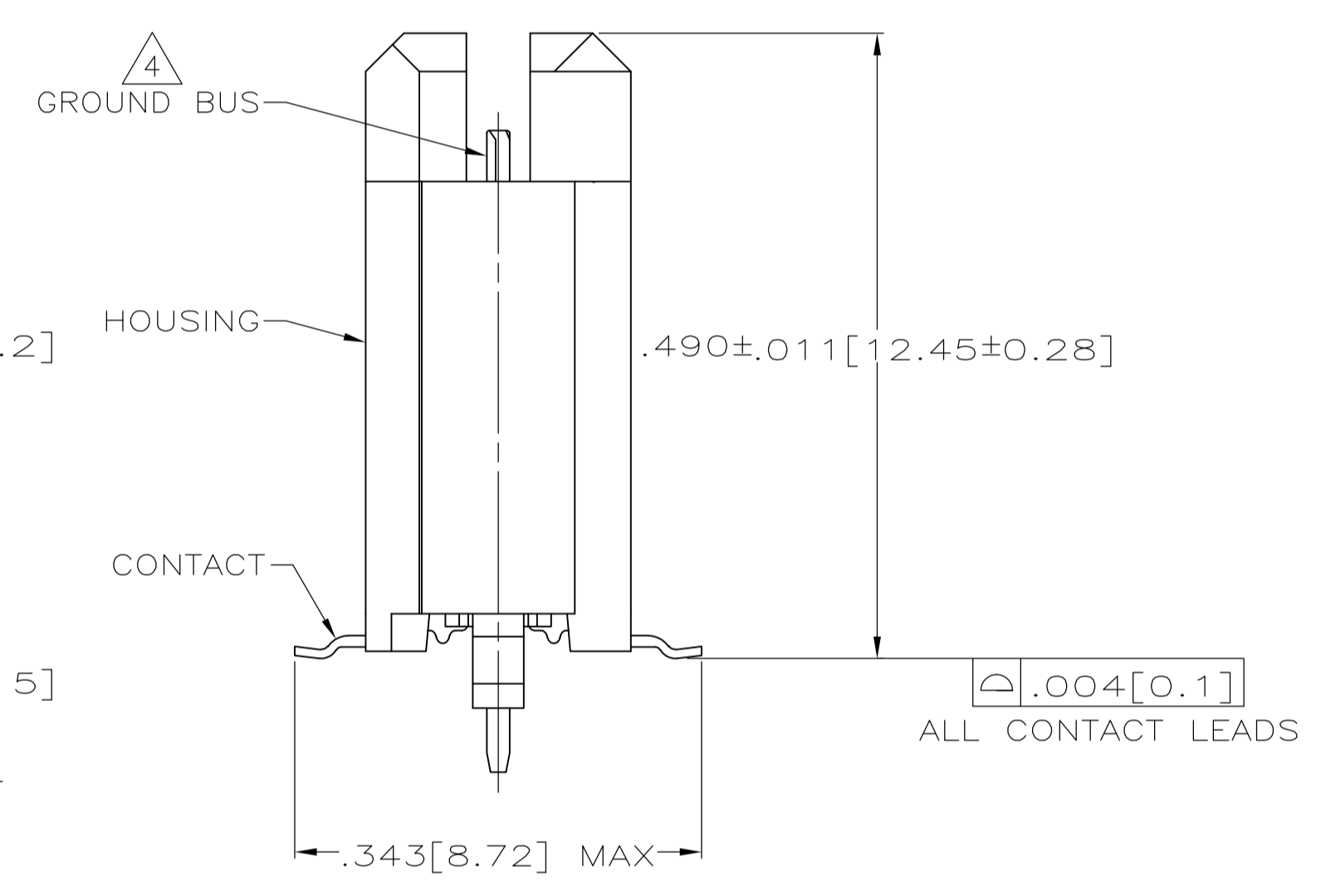
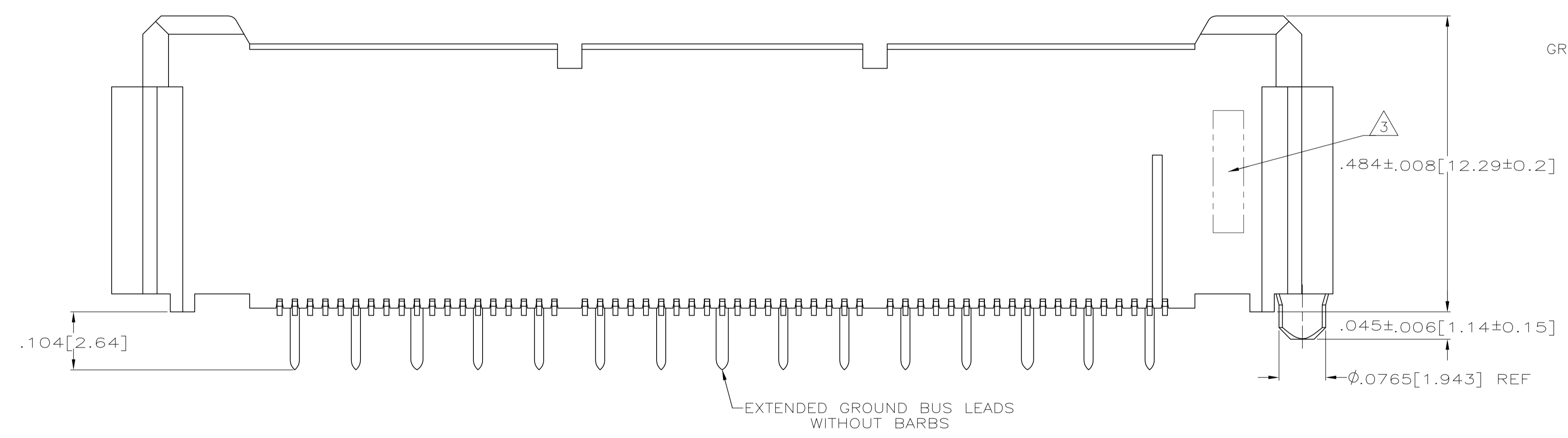


- $\triangle 1$ HOUSING: LIQUID CRYSTAL POLYMER, COLOR BLACK.
CONTACTS: HIGH RELIABILITY COPPER ALLOY.
GROUND BUSES: BRASS, UNS C26000
- $\triangle 2$ CONTACTS & GROUND BUSES: NICKEL UNDERPLATE ALL OVER,
MATING SURFACE PLATED TO MEET LEVEL 2 PERFORMANCE
REQUIREMENTS OF TE PRODUCT SPECIFICATION 108-1422,
SOLDER TAILS PLATED TIN-LEAD.
- $\triangle 3$ DATE CODE MARKED IN AREA INDICATED ON OPPOSITE SIDE OF
POSITION #1.
- $\triangle 4$ ONE GROUND BUS WITH 5 TAILS PER EACH MODULE.
- $\triangle 5$ TOLERANCE NON-ACCUMULATIVE.



RECOMMENDED PC BOARD LAYOUT (VIEWED FROM CONNECTOR SIDE)

| | | | | | | |
|--------------|---|---------------|---------------|---------------|-----------|-------------|
| 3.000 [76.2] | 6 | 3.450 [87.63] | 3.898 [99] | 4.000 [101.6] | 266 | 767082-7 |
| 2.500 [63.5] | 5 | 2.950 [74.93] | 3.398 [86.31] | 3.500 [88.9] | 228 | 767082-6 |
| 2.000 [50.8] | 4 | 2.450 [62.23] | 2.898 [73.61] | 3.000 [76.2] | 190 | 767082-5 |
| 1.500 [38.1] | 3 | 1.950 [49.53] | 2.398 [60.91] | 2.500 [63.5] | 152 | 767082-4 |
| 1.000 [25.4] | 2 | 1.450 [36.83] | 1.898 [48.21] | 2.000 [50.8] | 114 | 767082-3 |
| .500 [12.7] | 1 | .950 [24.13] | 1.398 [35.51] | 1.500 [38.1] | 76 | 767082-2 |
| .000 [0] | 0 | .450 [11.43] | .898 [22.81] | 1.000 [25.4] | 38 | 767082-1 |
| E | D | C | B | A | NO OF POS | PART NUMBER |

THIS DRAWING IS A CONTROLLED DOCUMENT.

| | | | | |
|--------------------|--|----------------------|--------------------------|---|
| DIMENSIONS: INCHES | TOLERANCES UNLESS OTHERWISE SPECIFIED: | DIN J. GERACE 4-7-98 | APVD S. STRICKLER 4-7-98 | NAME |
| ϕ | 0. PLC ± - | | | PLUG ASSEMBLY, .495 [12.57] VERTICAL, .025 [0.64] CENTER LINE, MICTOR |
| ϕ | 1. PLC ± - | | | 108-1422 |
| ϕ | 2. PLC ± - | | | APPLICATION SPEC |
| ϕ | 3. PLC ± .005 (0.13) | | | 114-11004 |
| ϕ | 4. PLC ± - | | | SIZE CASE CODE DRAWING NO |
| ϕ | ANGLES ± - | | | A1 00779 C=767082 |
| MATERIAL | FINISH | WEIGHT | SCALE | SHEET |
| $\triangle 1$ | $\triangle 2$ | | 8:1 | 1 OF 1 |

CUSTOMER DRAWING

单击下面可查看定价，库存，交付和生命周期等信息

[>>TE Connectivity\(泰科\)](#)