

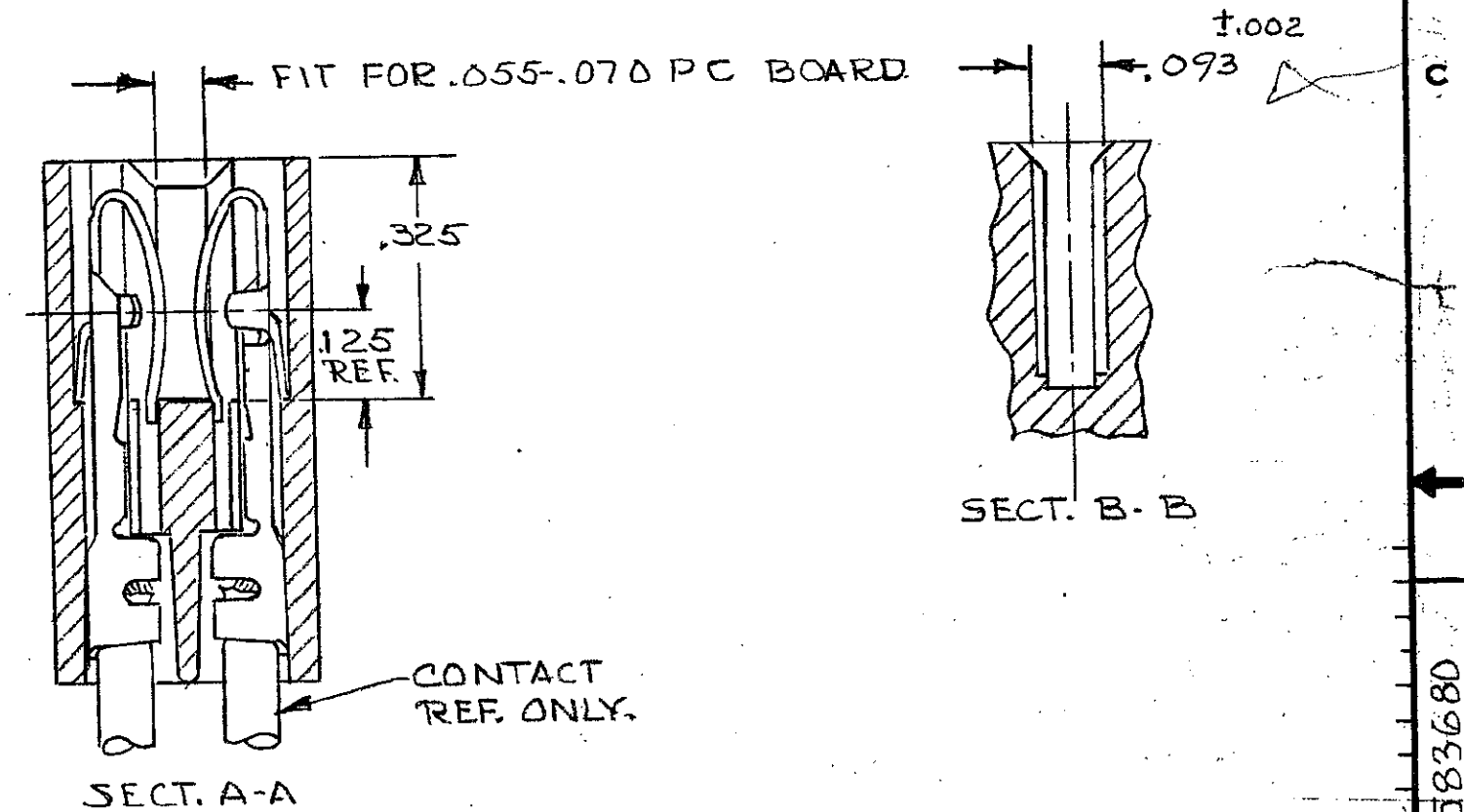
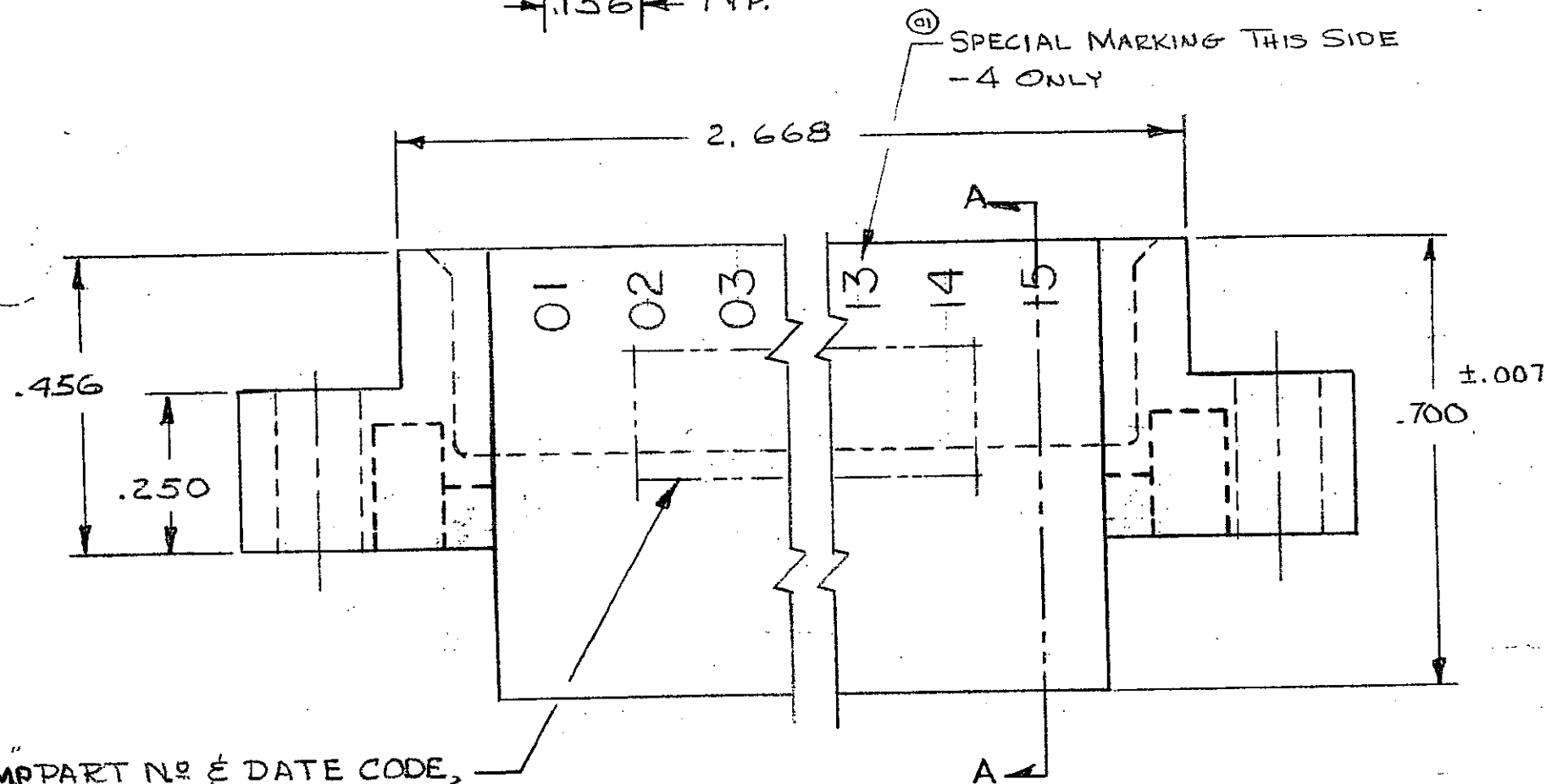
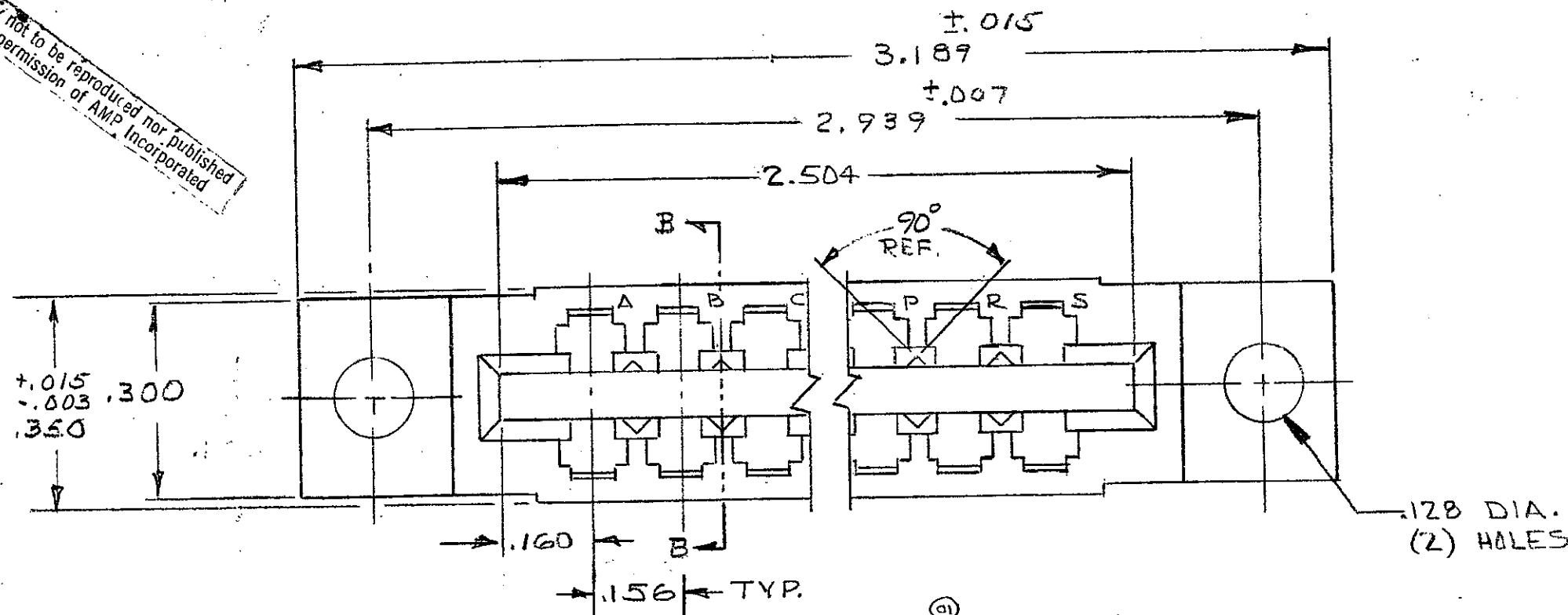
© 1970 BY AMP INCORPORATED. ALL RIGHTS RESERVED. AMP PRODUCTS COVERED BY PATENTS AND/OR PATENTS PENDING.

583680-1: 1 AS SHOWN

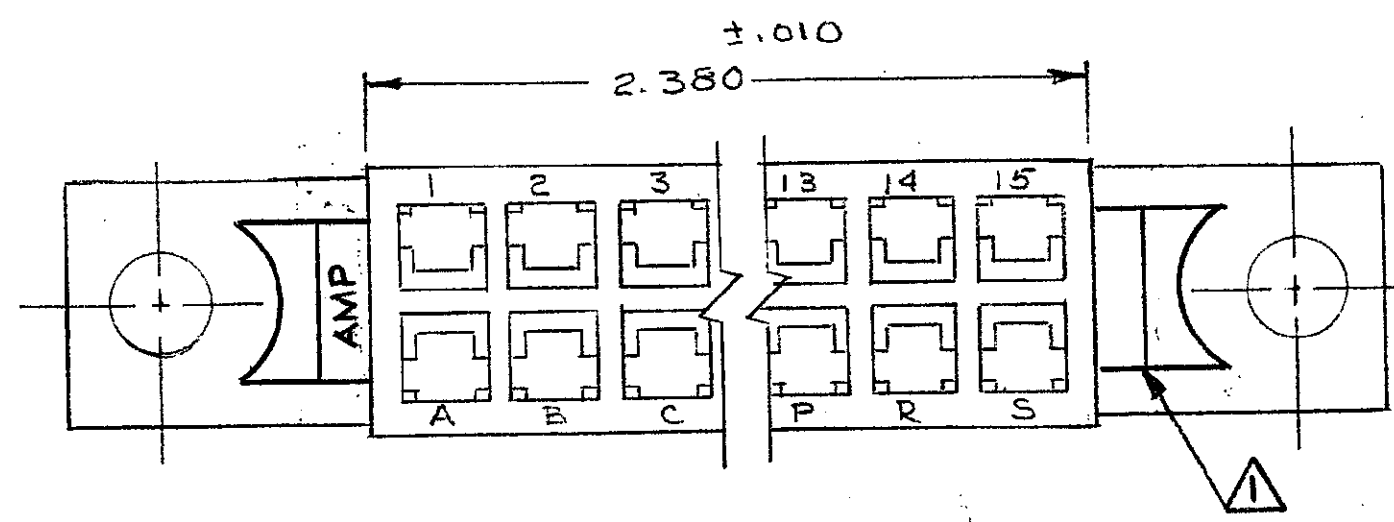
OBSOLETE ~~583680-1: 1 SPECIAL MARKING~~

REVISIONS

ZONE	LTR	DESCRIPTION	DATE	APPROVED
	0	RELEASED WAS 5112-236-1 CUST.	JW 12-30-70	D.H.
	a1	ADDED - 4 $\pm$ SPECIAL MKG (-4 WAS 5112-280) <sup>DR</sup>	11-10-71	D.H.
	A	REVISED MAT'L 4657	DR 1-9-76	DR M.S.
	B	REV PER ADO702	5/13/85	CP / [Signature]
	C	REV PER AD2118	3/88	LEW
	D	REV PER AD 3180	1/89	W / [Signature]
	E	REV PER 0010-0337-95	10-17-95	P.B. /
	F	REV PER EC 0320-349-97	25 NOV 97	NS



HOT STAMP PART NO & DATE CODE, IN THIS AREA, PER 115-9009.



VOID CORING PERMISSIBLE AT AMP'S OPTION REF ONLY

UNLESS OTHERWISE SPECIFIED, DIMENSIONS ARE IN INCHES TOLERANCES ON: DECIMALS $\pm$ .005 ANGLES $\pm$		CONTRACT NO. DR <i>Runkle</i> 2-10-70		AMP INCORPORATED HARRISBURG, PENNSYLVANIA	
MATERIAL GLASS FILLED NYLON OR POLYESTER COLOR: BLACK		CHKD <i>S. Heide</i> 1-5-71		NAME HOUSING, AMP LEAF, 15 DUAL.	
		APPD <i>J Kaufman</i> 1-6-71		SIZE C	
		REL <i>[Signature]</i> 1-6-71		CODE IDENT NO. 00779	
		DSGN APPD		NUMBER 583680	
		OTHER APPD		SCALE 4-1	
				SHEET 1 of 1	

CUSTOMER DRAWING

Loc  
E  
7  
22

单击下面可查看定价，库存，交付和生命周期等信息

[>>TE Connectivity\(泰科\)](#)