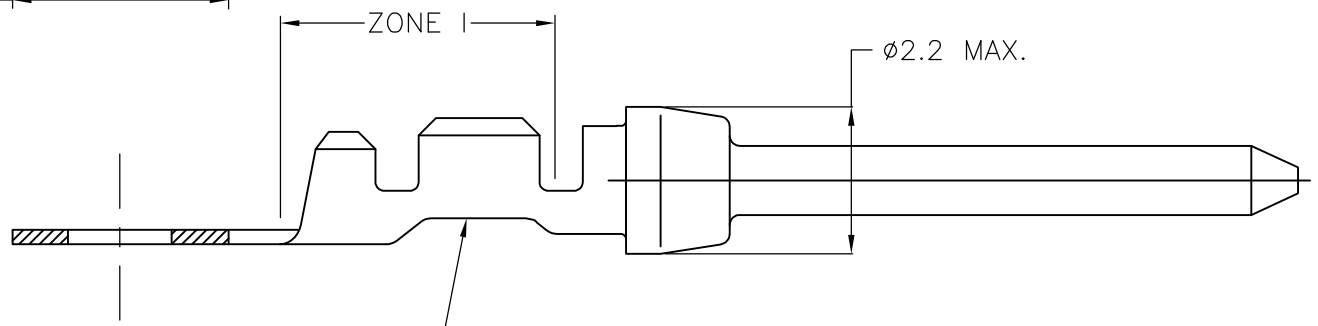
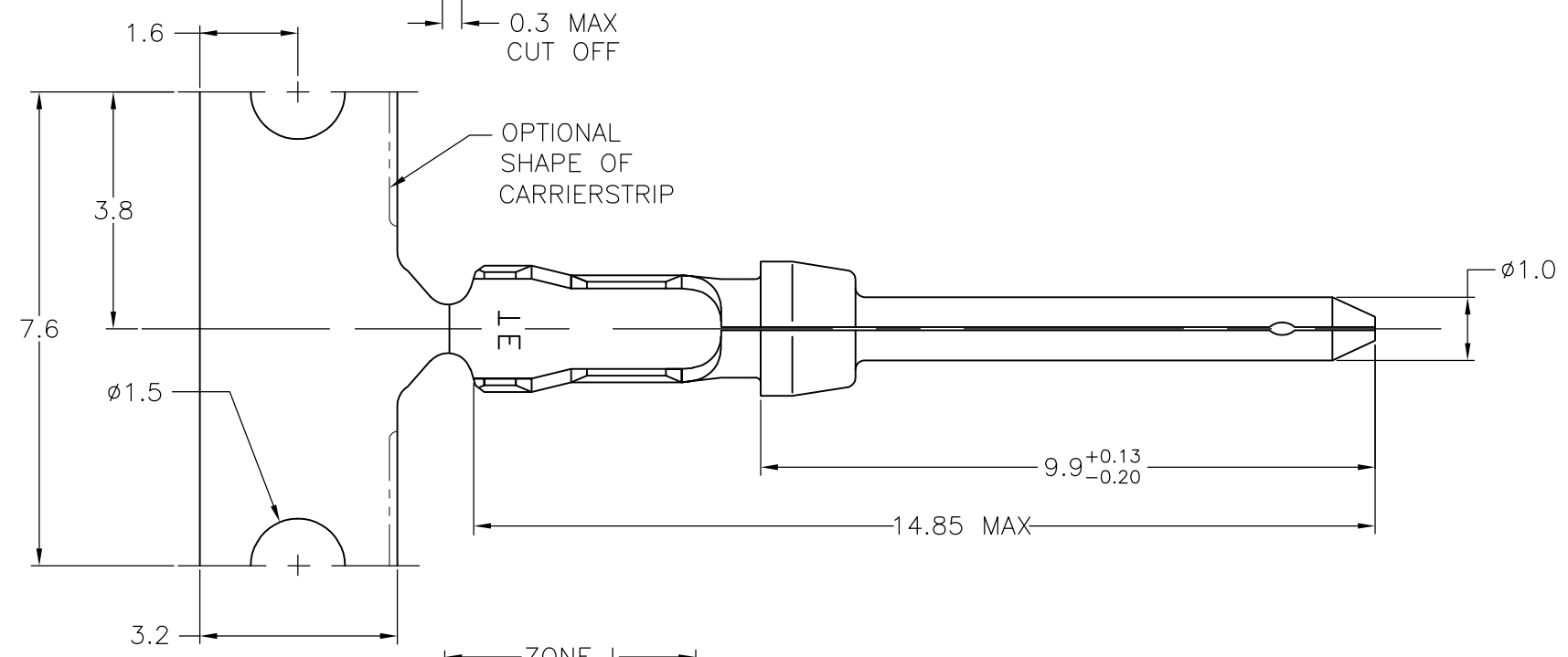
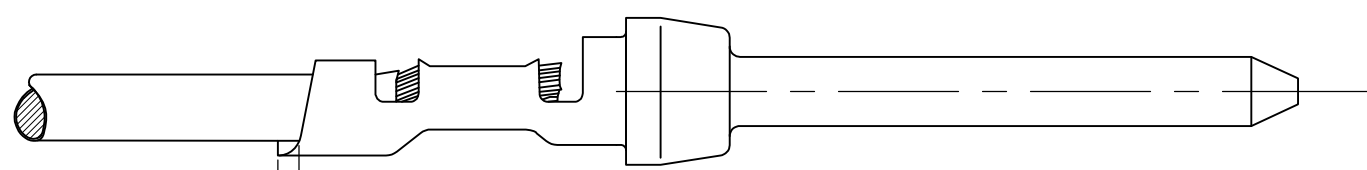
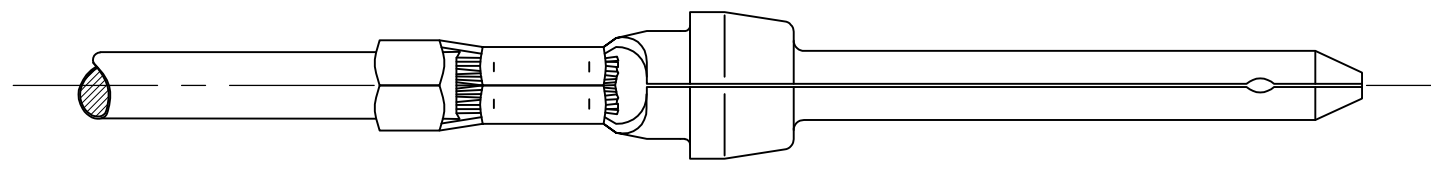


THIS DRAWING IS UNPUBLISHED. RELEASED FOR PUBLICATION  
 © COPYRIGHT - By - ALL RIGHTS RESERVED.

REVISIONS					
P	LTR	DESCRIPTION	DATE	DWN	APVD
	AA	REVISED PER ECO-16-017574	08DEC2016	AP	DG



RED COLOR CODE  
(LOOSE-PIECE ONLY)

- △1 FOR MINI-APPLICATOR-12500 PCS REEL.
- △2 FOR REEL-FEED HAND TOOLING-500 PCS REEL.
- △3 FOR HAND TOOLING- LOOSE PIECE.
- 4. MATERIAL: BRASS.
- △5 FINISH:
  - Ni UNDERPLATING ALL OVER.
  - CONTACT AREA PLATING MEETS IEC-807-3 PERFORMANCE LEVEL 2.
  - CRIMP ZONE Sn PLATED.

WIRE RANGE: 24-20 AWG(0,56-0,20mm<sup>2</sup>)  
 INSUL. RANGE: 1,27 - 1,52 DIA.

△5	166293-1	5-166053-1	166053-1
FINISH	LOOSE PIECE △3	PART NUMBER △2	PART NUMBER △1
DWN - CHK K. MALCZYK 09SEP08 APVD T. DE BOER 09SEP08 PRODUCT SPEC 108-40005 APPLICATION SPEC 114-10000 WEIGHT 0.000000		<b>STE</b> TE Connectivity NAME PIN CONTACT, SIZE 20 DF. SIZE CAGE CODE DRAWING NO RESTRICTED TO A3 00779 C-166053 -	
CUSTOMER DRAWING		SCALE NTS	SHEET 1 OF 1 REV AA

THIS DRAWING IS A CONTROLLED DOCUMENT. DIMENSIONING AND TOLERANCING PER ASME Y14.5M-2009	
DIMENSIONS: mm	TOLERANCES UNLESS OTHERWISE SPECIFIED:
	0 PLC ± -
	1 PLC ± 0,127
	2 PLC ± -
	3 PLC ± -
	4 PLC ± -
	ANGLES ± -
MATERIAL -	FINISH -

单击下面可查看定价，库存，交付和生命周期等信息

[>>TE Connectivity\(泰科\)](#)

[>>点击查看相关商品](#)