

Thermofit Molded Parts Specification Control Drawing

Part Number : 222F211thru285

Description : Boot, 90 Deg., With Lip

NOTES

- All dimensions are in $\frac{\text{inches}}{\text{[millimeters]}}$
- Dimensions appearing in table are as follows:
 - a - As Supplied
 - b - After Unrestricted Recovery
- Coating is optional. As supplied dimensions appearing in table are for uncoated parts. When coating is added, entry diameters will be reduced by .06 max.
- "S" & "T" dimensions apply to a minimum of 240° of the circumference.

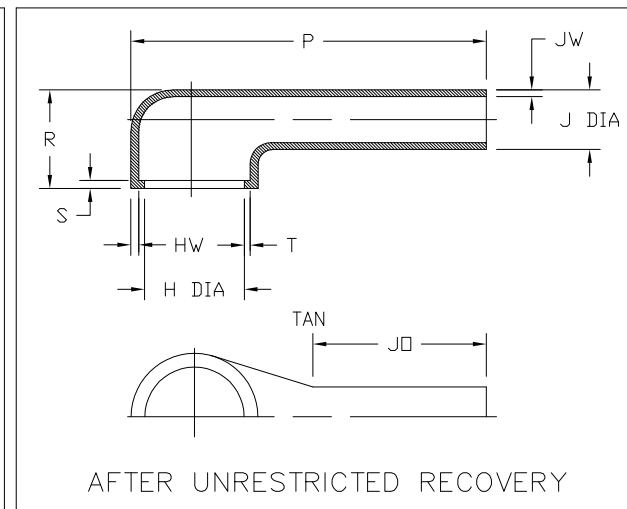
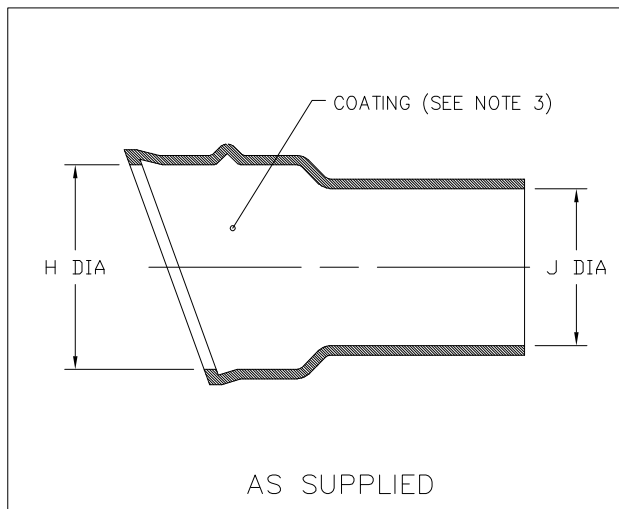


TABLE OF DIMENSIONS

| PART NUMBER | H | | J | | P ±10% | R ±10% | JO ±10% | HW +.06 -.03 | JW ±.03 | S +.06 -.03 | T ±.03 |
|-------------|----------------|----------------|----------------|---------------|-----------------|----------------|-----------------|-----------------|---------------|----------------|---------------|
| | Min | Max | Min | Max | | | | | | | |
| | a | b | a | b | | | | | | | |
| 222F211 | .94 [23,9] | .39 [9,9] | .68 [17,3] | .26 [6,6] | 4.14 [105,2] | .73 [18,8] | 3.45 [87,6] | .06 [1,52] | .06 [1,52] | .06 [1,52] | .05 [1,27] |
| 222F221 | 1.07 [27,2] | .52 [13,2] | .82 [20,8] | .30 [7,6] | 4.88 [124,0] | .78 [19,8] | 3.90 [99,1] | .06 [1,52] | .06 [1,52] | .06 [1,52] | .05 [1,27] |
| 222F232 | 1.22 [31,0] | .73 [18,5] | .96 [24,4] | .35 [8,9] | 5.76 [146,3] | .82 [20,8] | 4.50 [114,3] | .07 [1,78] | .06 [1,52] | .07 [1,78] | .05 [1,27] |
| 222F242 | 1.40 [35,6] | .87 [22,1] | 1.13 [28,7] | .40 [10,2] | 6.78 [172,2] | .86 [21,8] | 5.22 [132,6] | .07 [1,78] | .06 [1,52] | .07 [1,78] | .05 [1,27] |
| 222F253 | 1.53 [38,9] | 1.11 [28,2] | 1.24 [31,5] | .43 [10,9] | 7.29 [185,2] | .96 [24,4] | 5.66 [143,8] | .07 [1,78] | .06 [1,52] | .07 [1,78] | .07 [1,78] |
| 222F263 | 1.78 [45,2] | 1.27 [32,3] | 1.51 [38,4] | .50 [12,7] | 8.41 [213,6] | 1.08 [27,4] | 6.66 [169,2] | .07 [1,78] | .06 [1,52] | .07 [1,78] | .07 [1,78] |
| 222F274 | 2.03 [51,6] | 1.62 [41,1] | 1.75 [44,5] | .59 [15,0] | 8.84 [224,5] | 1.16 [29,5] | 6.82 [173,2] | .07 [1,78] | .07 [1,78] | .07 [1,78] | .07 [1,78] |
| 222F285 | 2.47 [62,7] | 1.69 [42,9] | 1.86 [47,2] | .69 [17,5] | 8.95 [227,3] | 1.31 [33,3] | 6.62 [168,1] | .08 [2,03] | .07 [1,78] | .07 [1,78] | .08 [2,03] |

IF THIS DOCUMENT IS PRINTED IT
BECOMES UNCONTROLLED.
CHECK FOR THE LATEST REVISION.



TE Connectivity
TE CONNECTIVITY
300 CONSTITUTION DRIVE
MENLO PARK, CALIFORNIA 94025

Revision : P1

Date : 29MAR11

Part Number : 222F211thru285

Description : Boot, 90 Deg., With Lip

Molded Parts Specification Control Drawing

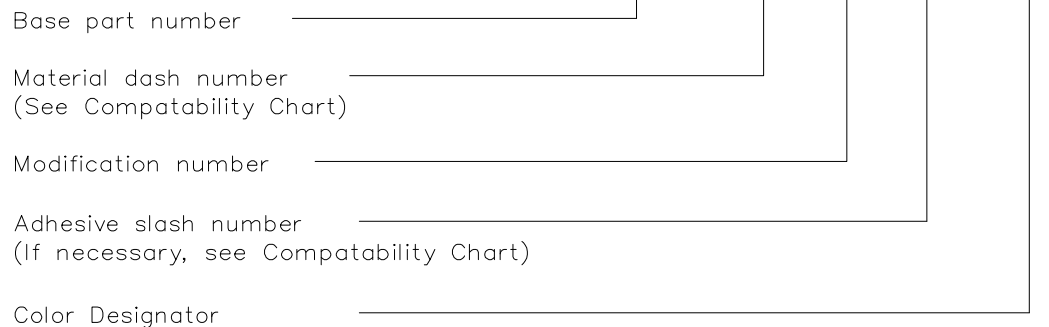
Part Number : 222F211thru285

Description : Boot, 90 Deg., With Lip

| COMPATABILITY CHART | | | | | |
|---------------------|----------------------|----------------|-------------------|----------------------|---------------------|
| MATERIAL DASH NO. | MATERIAL DESCRIPTION | RT SPEC | COATING SLASH NO. | COATING S NO. | COATING DESCRIPTION |
| -50 | Flexible VPB | RT-1313 | N/A | | |
| -51 | Flexible EPB | RT-1321 | /164 | S-1124 | Adhesive |
| -71 | Flexible Polyolefin | RT-1316 | /42,/86,/180 | S-1017,S-1048,S-1030 | Adhesive |
| -770 | NBCCS | RT-770 TYPE II | | | |
| | | | | | |
| | | | | | |

ORDERING INFORMATION

222F2XX -XX -XX /XXX -0



IF THIS DOCUMENT IS PRINTED IT BECOMES UNCONTROLLED.
CHECK FOR THE LATEST REVISION.

THIS DRAWING IS SUBJECT TO CHANGE WITHOUT NOTICE; CONSULT YOUR
NEAREST FIELD REPRESENTATIVE FOR CURRENT REVISION



TE CONNECTIVITY
300 CONSTITUTION DRIVE
MENLO PARK, CALIFORNIA 94025

Revision : P1
Date : 20APR11
Page 2 OF 2

Part Number : 222F211thru285
Description : Boot, 90 Deg., With Lip

单击下面可查看定价，库存，交付和生命周期等信息

[>>TE Connectivity\(泰科\)](#)