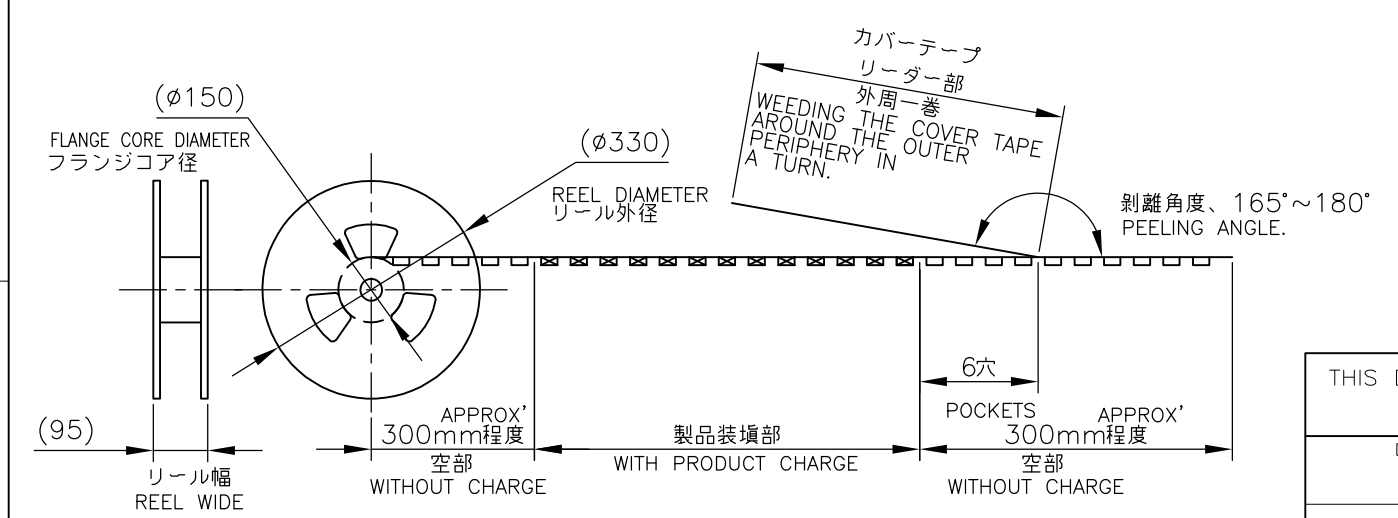
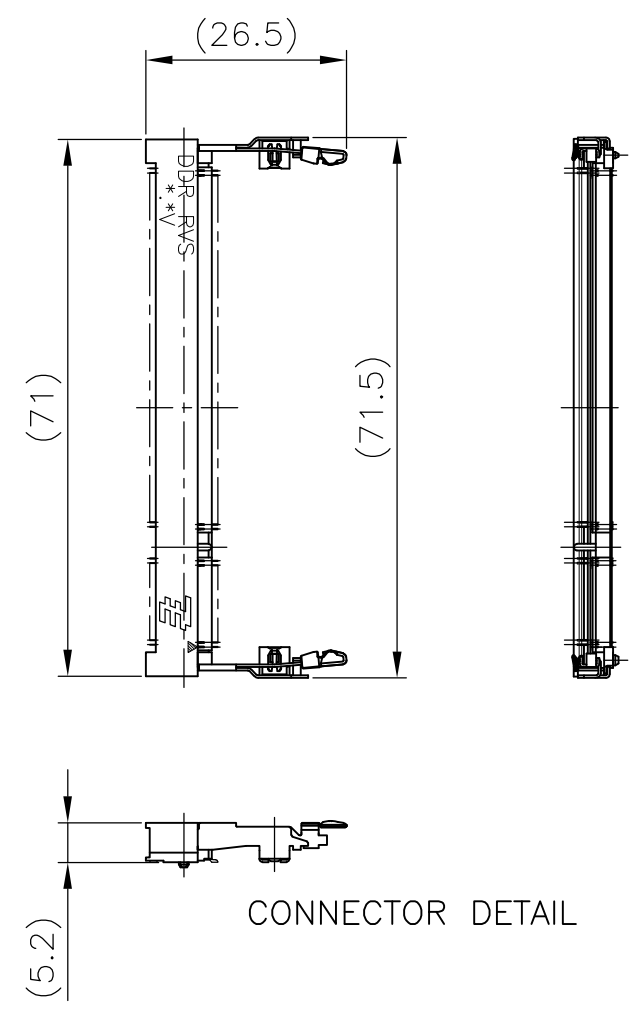
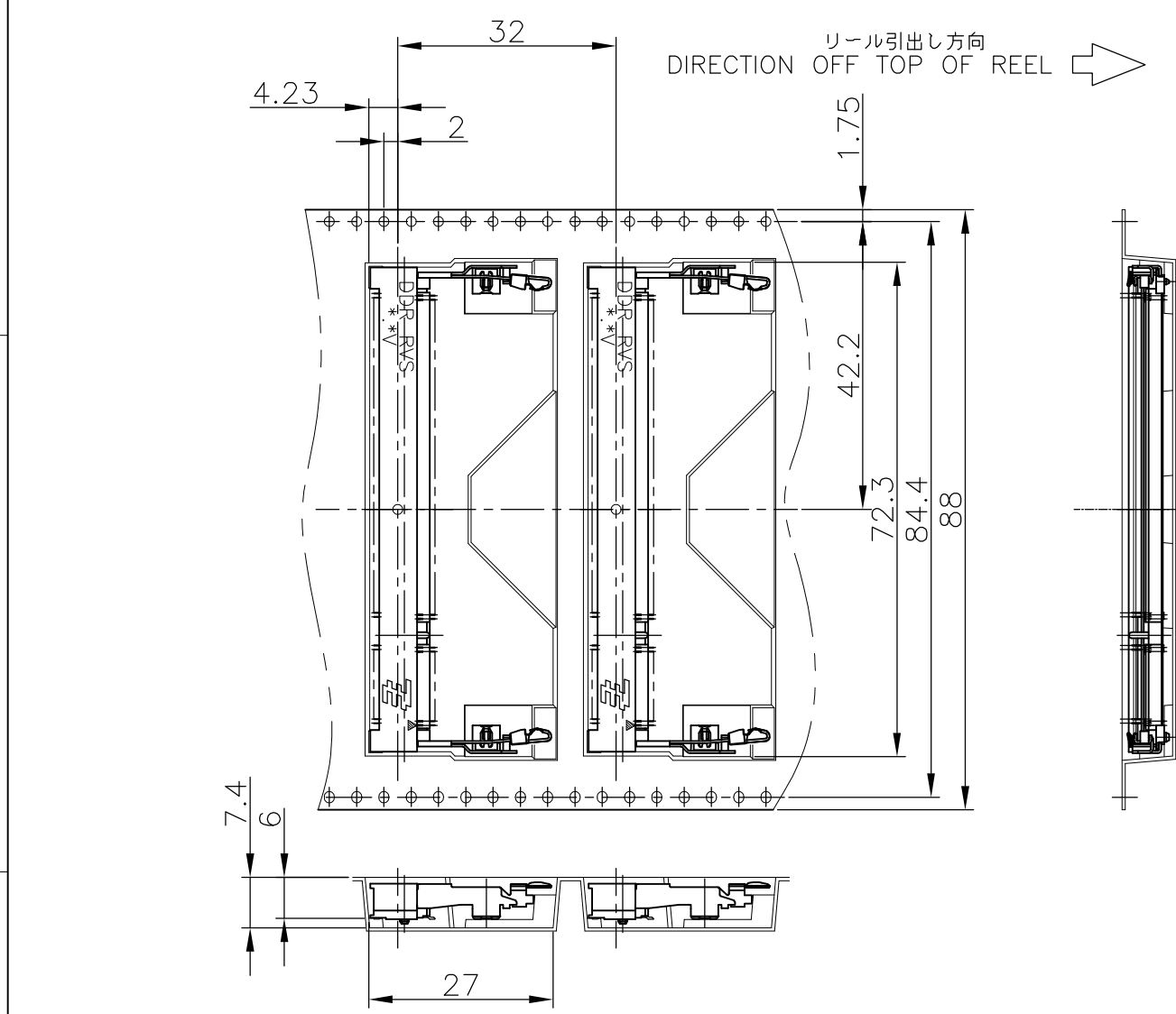


THIS DRAWING IS UNPUBLISHED. RELEASED FOR PUBLICATION DEC ,2001.
 © COPYRIGHT 2001 By - ALL RIGHTS RESERVED.

LOC	DIST	REVISIONS					
		P	LTR	DESCRIPTION	DATE	DWN	APVD
J			D2	REVISED PER ECO-11-005033	11MAR11	RK	HMR



鉛フリー
LEAD FREE

1.8V (DDR2)	150EA/REEL	1565712-4	1565918-4
2.5V (DDR1)	150EA/REEL	1565712-3	1565918-1
POWER SUPPLY (TYPE)	QTY	CONNECTOR P/N	P/N

THIS DRAWING IS A CONTROLLED DOCUMENT.

DWN B.WONG 20JUL10	TE Connectivity EMOSS ASSEMBLY DDR1 & DDR2 SODIMM SOCKET 200P STANDARD PROFILE REVERSE TYPE				
CHK C.WANG 20JUL10					
APVD S.YAO 20JUL10					
NAME 名称					
DIMENSIONS: 単位: 耗 mm	PRODUCT SPEC 製品規格 108-5701	SIZE	CAGE CODE	DRAWING NO 番号	RESTRICTED TO
TOLERANCES UNLESS OTHERWISE SPECIFIED: 一般公差	APPLICATION SPEC 取付適用規格	A3	00779	C-1565918	
0 PLC ± 0.3	WEIGHT	CUSTOMER DRAWING		SCALE 尺度 1:1	SHEET 1 OF 1
1 PLC ± 0.3				REV D2	
2 PLC ± 0.3					
3 PLC ± 0.3					
4 PLC ANGLES ± 5'					
MATERIAL 材料	FINISH 仕上				

单击下面可查看定价，库存，交付和生命周期等信息

[>>TE Connectivity\(泰科\)](#)