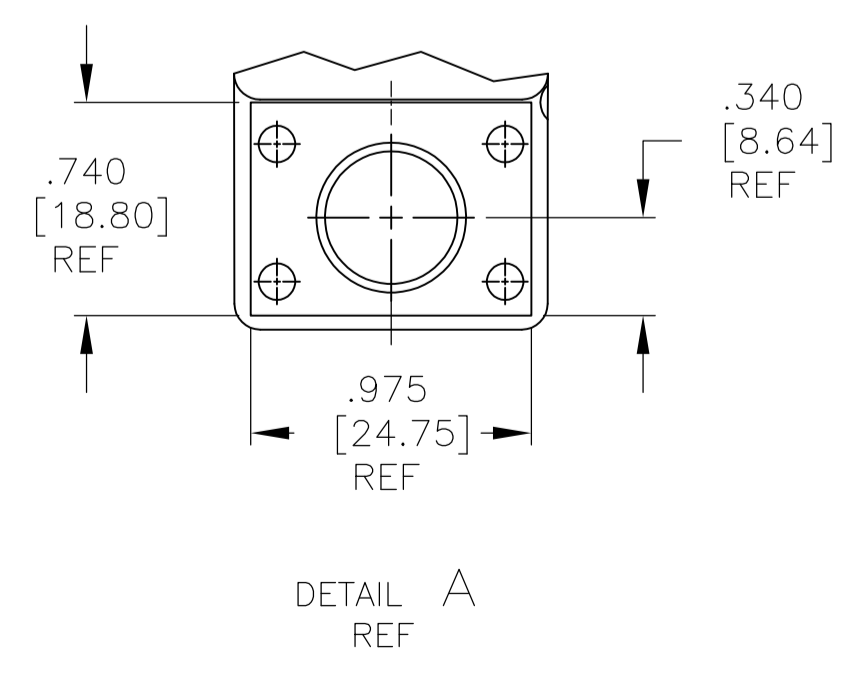
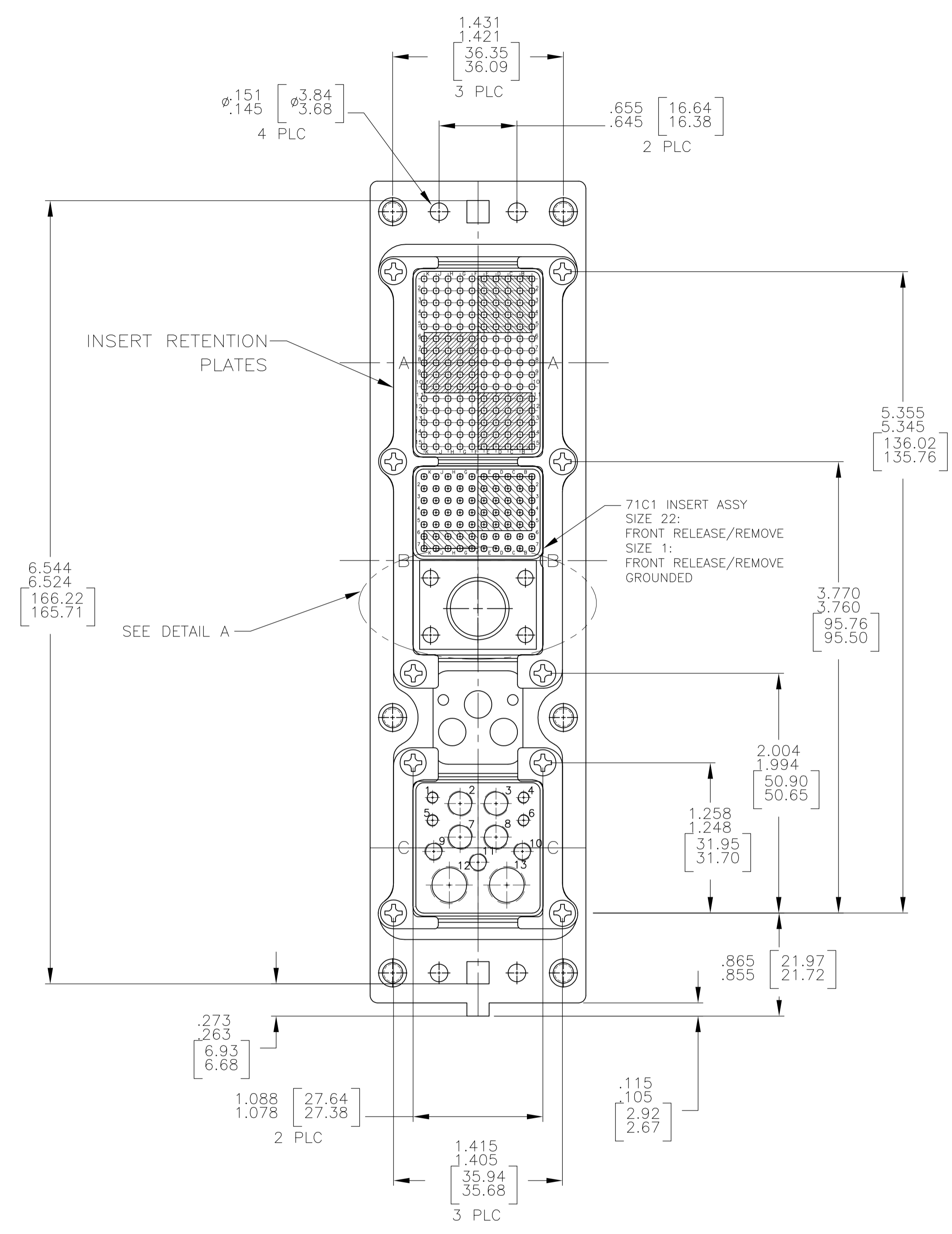
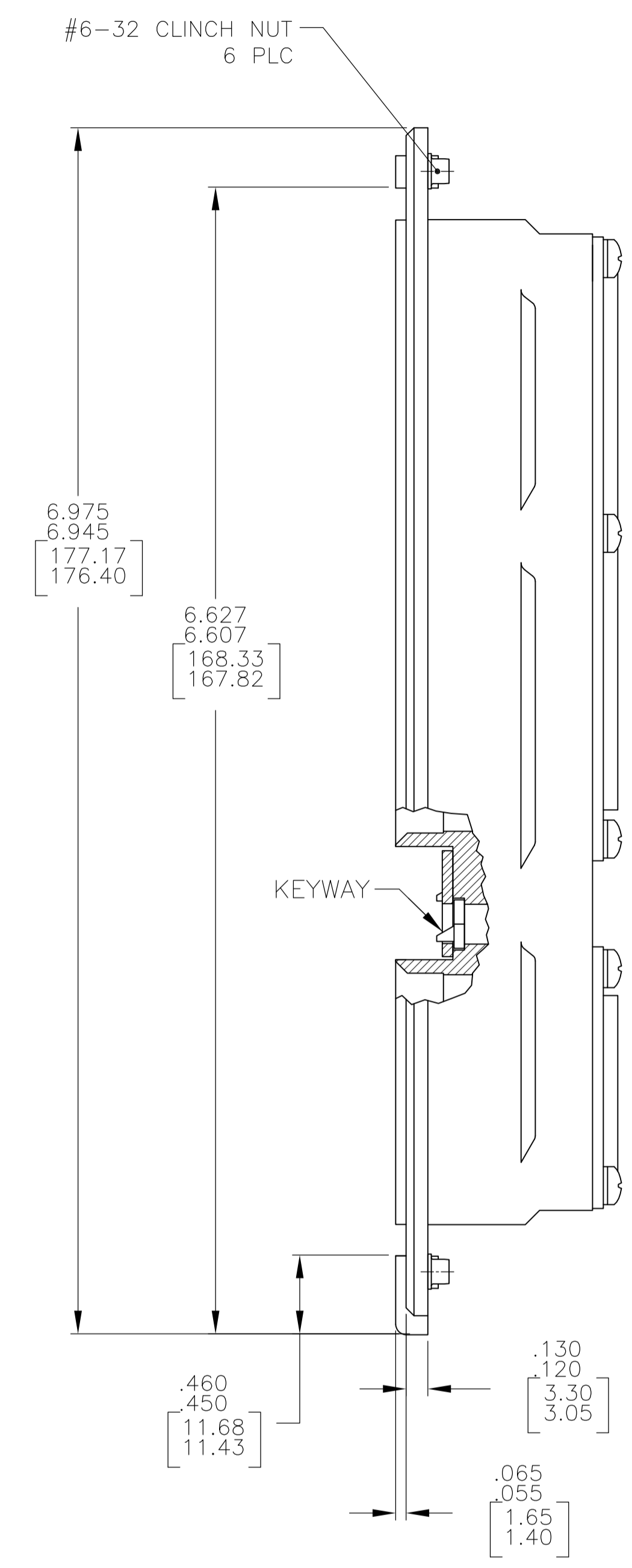
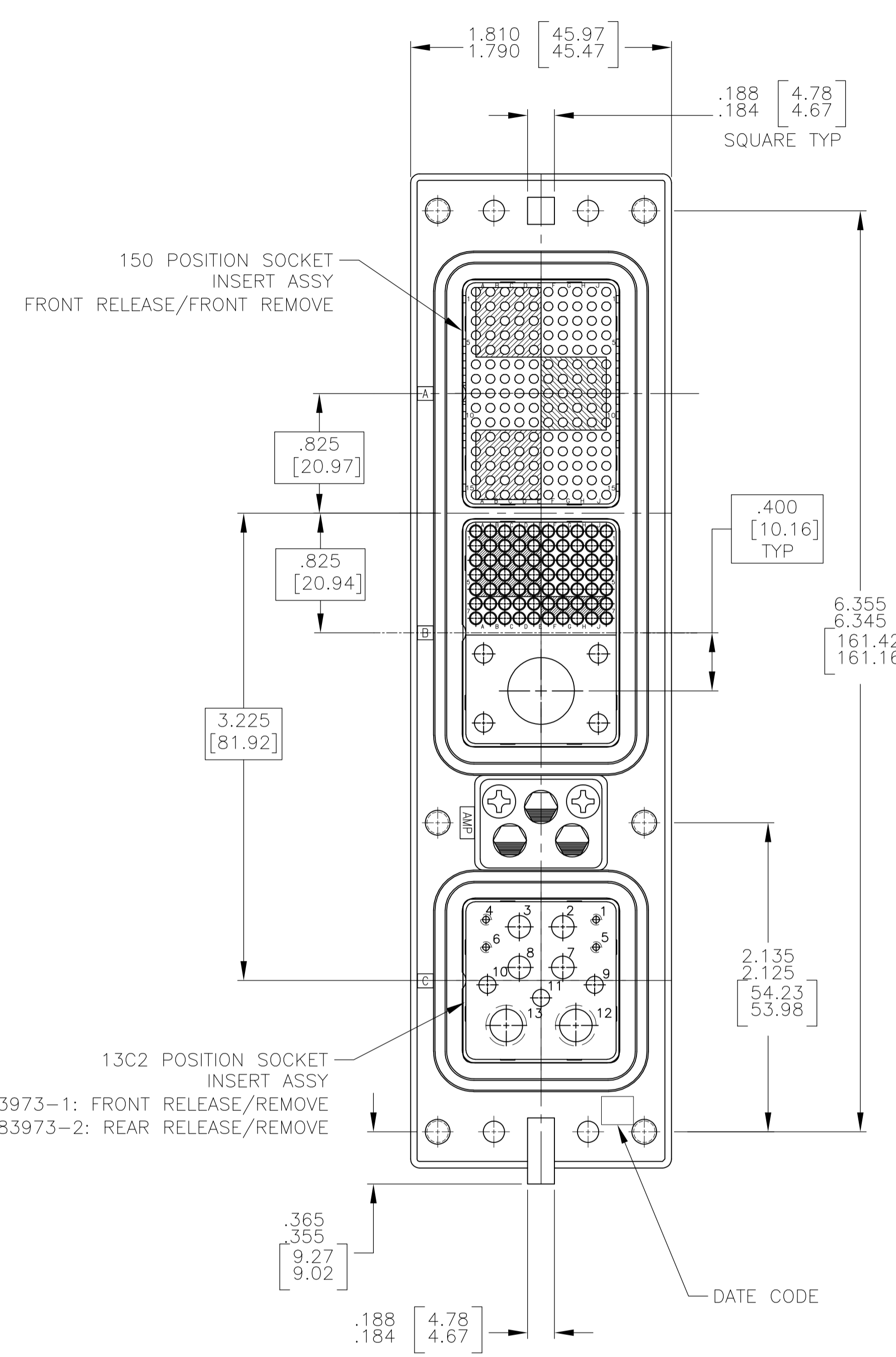


REVISONS		DATE	BY	APPROVED
C	REVISED PER CUSTOMER REQUEST	10-28-09	CT	KT



- CONNECTOR DIMENSIONS ARE PER ARINC 600 SPECIFICATION.
- CONNECTOR IS SUPPLIED WITH A DUST COVER INSTALLED; NOT SHOWN.
- KEYING SHOWN IN POSITION "01" FOR ILLUSTRATION ONLY. CONNECTORS SHIPPED WITH KEYING INSTALLED IN POSITION PER TABLE. FOR POSITION "00" KEYING HARDWARE SHIPPED UNASSEMBLED.

COMPONENT	MATERIAL	FINISH
SHELL	DIE CAST ALUMINUM PER ASTM-B-85	ELECTROLESS NICKEL PER MIL-C-26074
INSERT RETENTION PLATES	ALUMINUM ALLOY PER ASTM-B-209	ELECTROLESS NICKEL PER MIL-C-26074
SCREWS AND LOCKWASHERS	STEEL OR STAINLESS STEEL	CHROMATE OVER ZINC OR PASSIVATED
POLARIZING KEYS	ZINC ALLOY PER ASTM-B-86	-
POLARIZING KEY RETAINING PLATE	ALUMINUM ALLOY PER ASTM-B-209	BLUE ANODIZED PER MIL-A-8625
INSERTS	THERMOSET OR THERMOPLASTIC PPS PER MIL-M-24519	-
SIZE 1 INSERT	ALUMINUM ALLOY PER ASTM-B-209	ELECTROLESS NICKEL PER MIL-C-26074

REAR RELEASE/REMOVE	KEYING POSITION	PART NUMBER
"00"		1883973-2
FRONT RELEASE/REMOVE	"00"	1883973-1

13C2 CONTACT REMOVAL DIRECTION	KEYING POSITION	PART NUMBER

THIS DRAWING IS A CONTROLLED DOCUMENT.		DWG: C.C.THOMAS 5-21-08	Tyco Electronics Corporation	
DIMENSIONS: INCHES [mm]		CHK: K.THACKSTON 5-21-08	Harrisburg, Pa 17105-3608	
TOLERANCES UNLESS OTHERWISE SPECIFIED:		APVD: K.THACKSTON 5-21-08	NAME: RCPT ASSY, SIZE 2, ARINC 600 (150/71C1/13C2)	
0 PLC	± .005	PRODUCT SPEC	SIZE: A1	
1 PLC	± .005	APPLICATION SPEC	CAGE CODE: 00779	
2 PLC	± .005	WEIGHT: -	DRAWING NO: 1883973	
3 PLC	± .005	CUSTOMER DRAWING	RESTRICTED TO: -	
4 PLC	± .005	SCALE: 3:2	SHEET: 1 OF 1	
ANGLES	± .005	REV: C		

单击下面可查看定价，库存，交付和生命周期等信息

[>>TE Connectivity\(泰科\)](#)