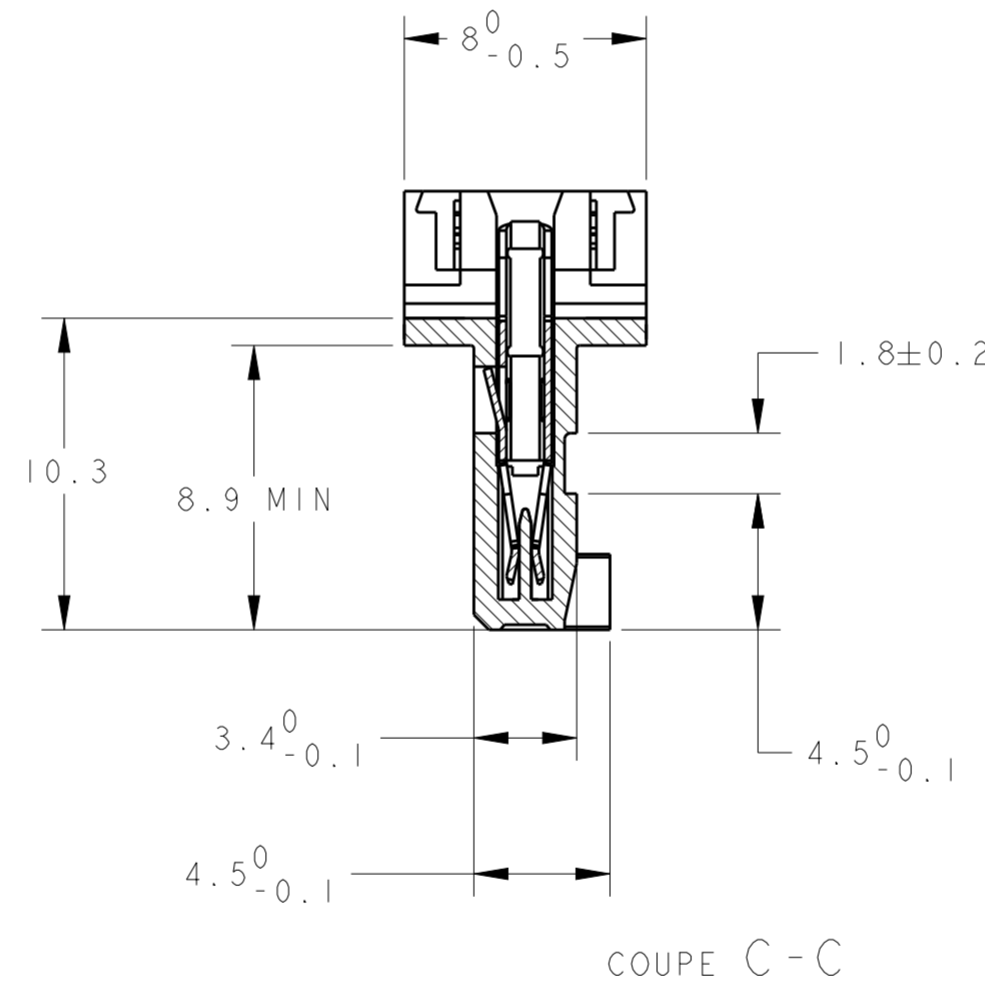
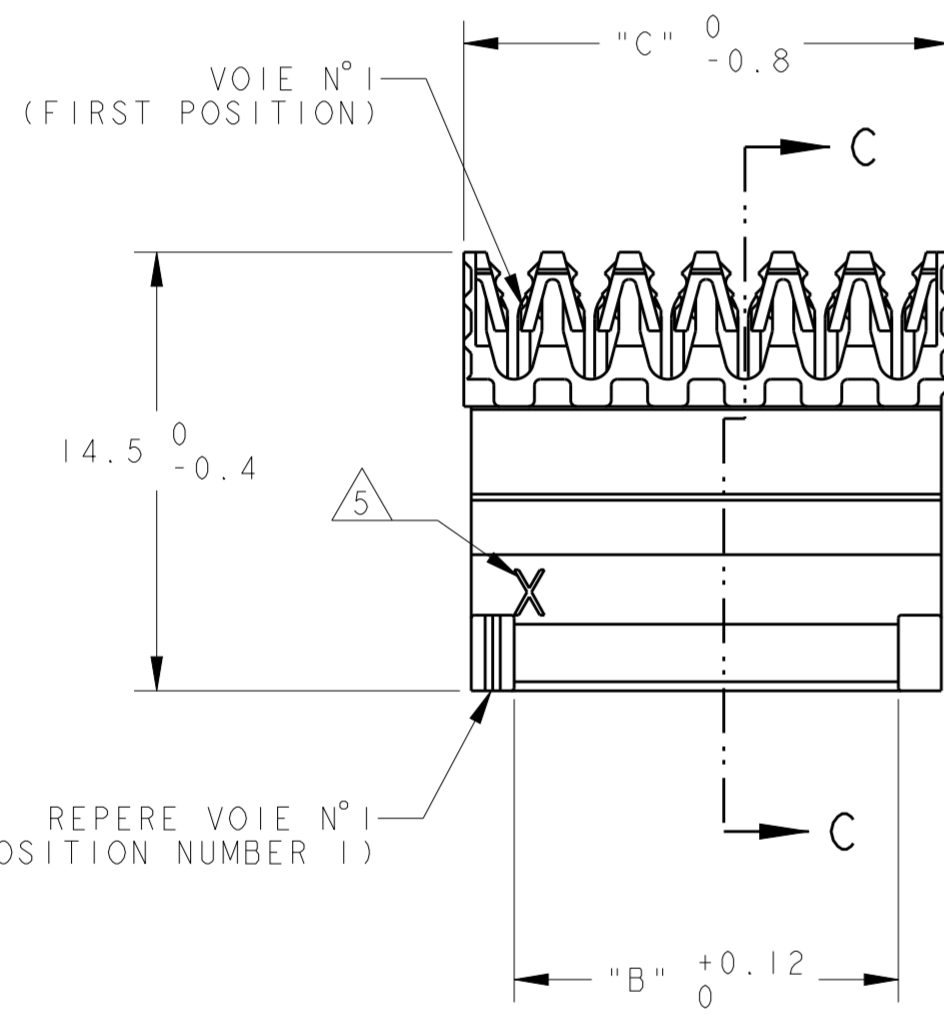
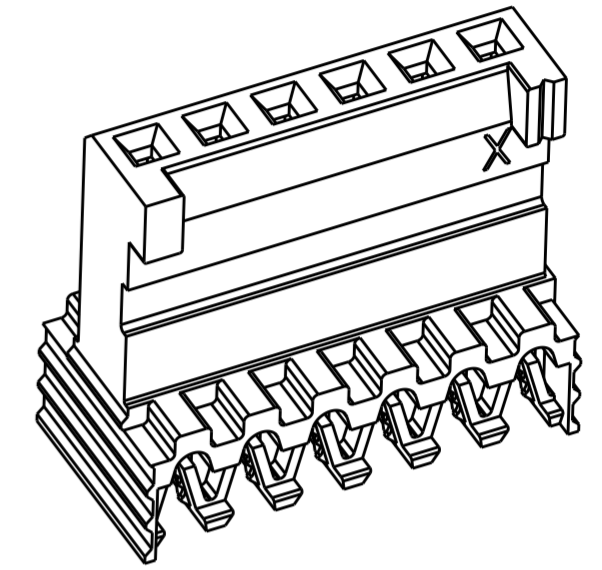
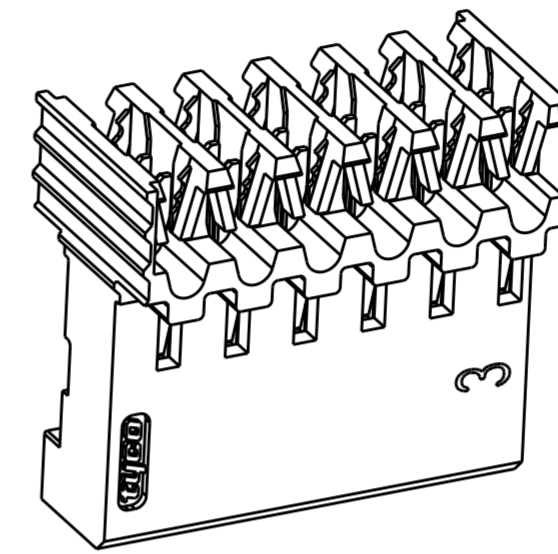
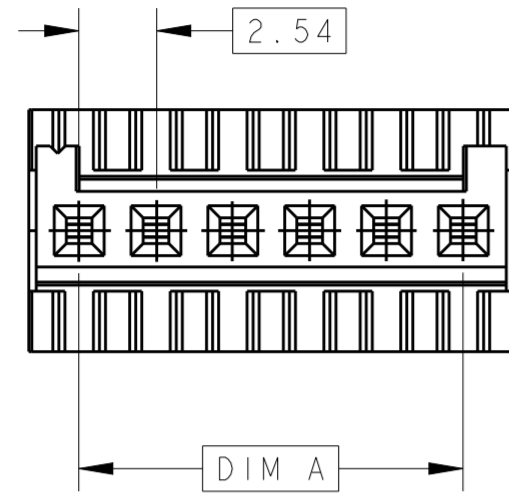


FILS ADMISSIBLES (ACCEPTABLES WIRES)	
JAUGE (AWG) SECTION / 7 BRINS (7 STRANDS)	24 0.22mm ²
ISOLANT: Ø MAX / MATIERE (INSUL.: Ø MAX / MAT'L)	Ø 1.2 / PVC

REVISIONS				
P	LTR	DESCRIPTION	DATE	APVD
D2		PART STATUS UPDATED	03JAN2020	SS PS



Quant / Tube	C	A, B	Nb DE POS	REFERENCES (PART No)	VRAC (L.P.)
9	64.30	60.96	25	2 281708-5	2 144270-5
9	61.76	58.42	24	2 281708-4	2 144270-4
10	59.22	55.88	23	2 281708-3	2 144270-3
10	56.68	53.34	22	2 281708-2	2 144270-2
10	54.14	50.80	21	2 281708-1	2 144270-1
11	51.60	48.26	20	2 281708-0	2 144270-0
12	49.06	45.72	19	1 281708-9	1 144270-9
12	46.52	43.18	18	1-281708-8 *	1-144270-8*
13	43.98	40.64	17	1 281708-7	1 144270-7
14	41.44	38.10	16	1 281708-6	1 144270-6
15	38.90	35.56	15	1-281708-5 *	1-144270-5*
16	36.36	33.02	14	1 281708-4	1 144270-4
17	33.82	30.48	13	1 281708-3	1 144270-3
18	31.28	27.94	12	1-281708-2 *	1-144270-2*
20	28.74	25.40	11	1 281708-1	1 144270-1
20	26.20	22.86	10	1-281708-0 *	1-144270-0*
25	23.66	20.32	9	0 281708-9	0 144270-9
25	21.12	17.78	8	0-281708-8 *	0-144270-8*
30	18.58	15.24	7	0-281708-7	0-144270-7
35	16.04	12.70	6	0-281708-6 *	0-144270-6*
40	13.50	10.16	5	0-281708-5 *	0-144270-5*
50	10.96	7.62	4	0-281708-4 *	0-144270-4*
70	8.42	5.08	3	0-281708-3 *	0-144270-3*
100	5.88	2.54	2	0-281708-2	0-144270-2

- 1 CES CONNECTEURS SONT PREVUS POUR ETRE ACCOUPLES AVEC LES EMBASES 'HE1402' SIMPLE RANGEE
- 2 LES REFERENCES SUIVIES D'UN ' * ' SONT LES VERSIONS NORMALISEES SELON LA 'CEI 603-8'
- 3 REVETEMENT DES CONTACTS: ETAME
- 4 CONNECTEURS CONDITIONNES SOUS TUBE PVC
- 5 ' X ' EST REMPLACE PAR LE DEUXIEME CHIFFRE DES JAUGES AWG
- 6 MATIERES - BOITIER: PBT UL94V0 - CONTACTS: BRONZE PHOSPHOREUX.
- 7 OBSOLETE.

- (THESE CONNECTEURS ARE DESIGNED TO BE MATED WITH 'HE1402' HEADERS SINGLE ROW)
- (THE PART-NO FOLLOWED BY ' * ' ARE COVERED BY THE INTERNATIONAL STANDARD 'IEC603-8')
- (THE CONTACTS ARE TIN PLATED)
- (THESE CONNECTEURS ARE PACKAGED IN TUBE)
- (' X ' REPLACED BY THE SECOND DIGIT OF AWG AS DEFINED IN TABLE)
- (MATERIALS - CASE: PBT UL94V0 - CONTACTS: PHOSPHOR BRONZE)

THIS DRAWING IS A CONTROLLED DOCUMENT.

DIMENSIONS: mm	TOLERANCES UNLESS OTHERWISE SPECIFIED:	DWN: C. COMBEDOUZON 17NOV2000	 TE Connectivity
		CHK: T. CORRIOU 17NOV2000	
		APVD: Y. PETRONIN 17NOV2000	
		PRODUCT SPEC: 108-15053	
MATERIAL: 6	FINISH: 3	APPLICATION SPEC: 114-15030	NAME: HE 1402 PLUG, 90deg IDC SINGLE ROW
CUSTOMER DRAWING		WEIGHT: -	SIZE: A2 CAGE CODE: 0779 DRAWING NO: C-281708 RESTRICTED TO: D2

单击下面可查看定价，库存，交付和生命周期等信息

[>>TE Connectivity\(泰科\)](#)