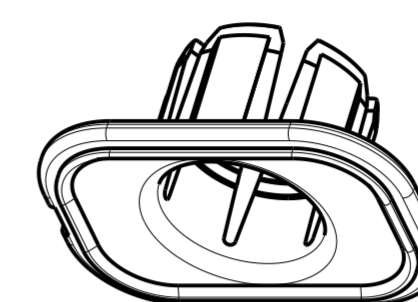
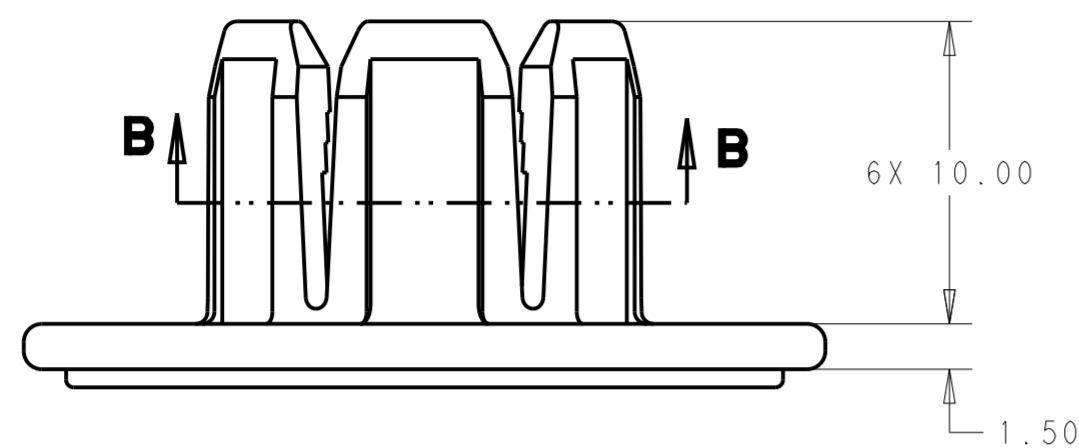
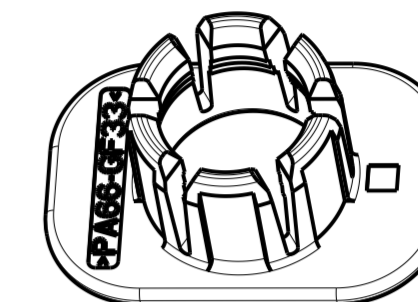


THIS DRAWING IS UNPUBLISHED. RELEASED FOR PUBLICATION 20
 © COPYRIGHT 20 BY TYCO ELECTRONICS CORPORATION ALL RIGHTS RESERVED.

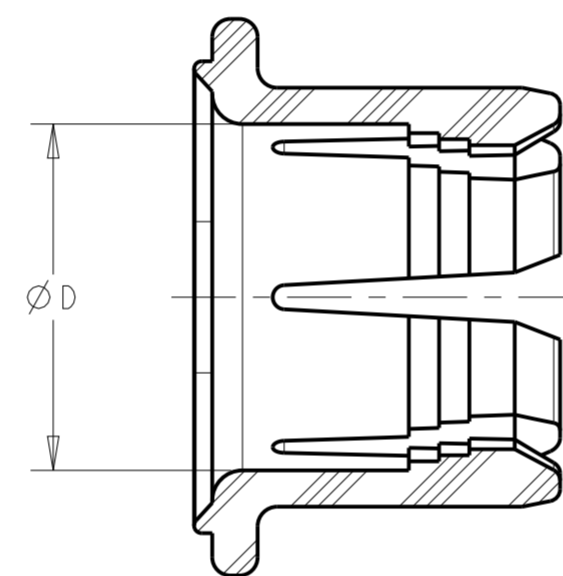
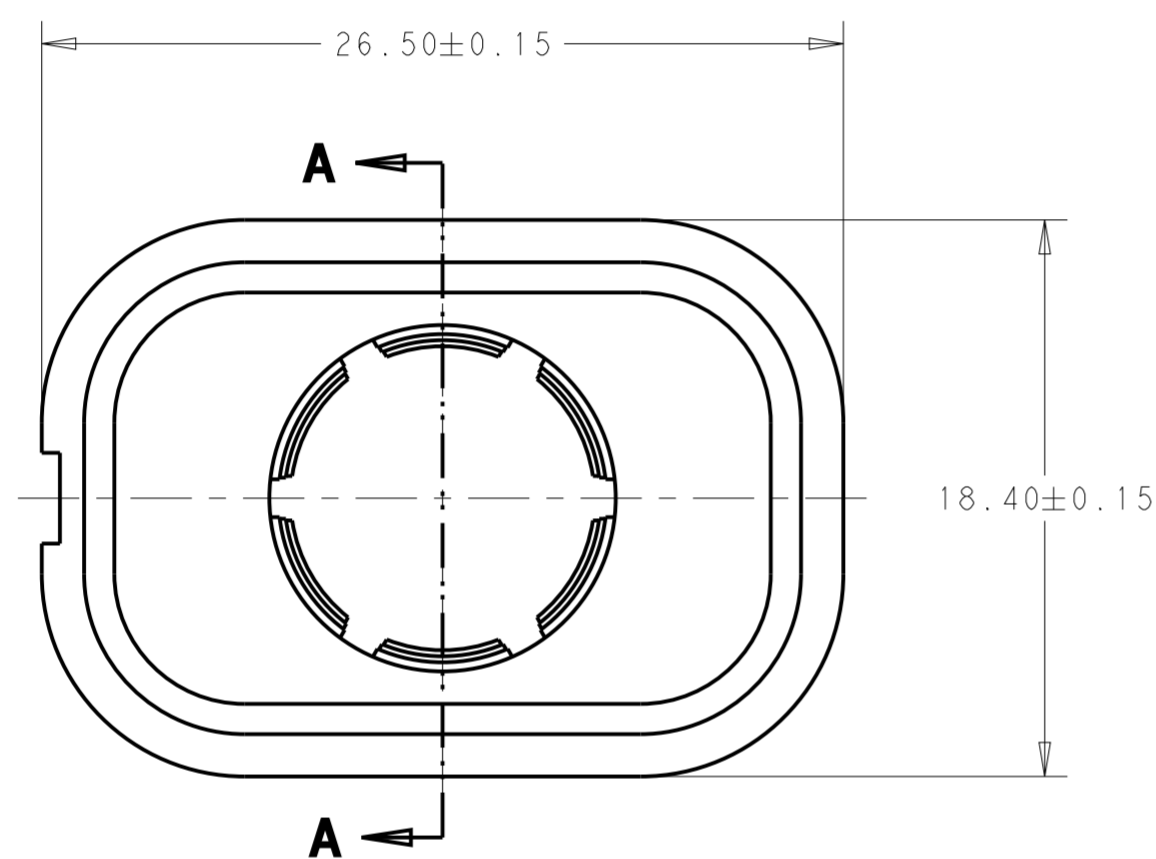
REVISIONS					
P	LTR	DESCRIPTION	DATE	DWN	APVD
	A3	ECO-14-004886	31MAR2014	DR	DR



SCALE 2:1

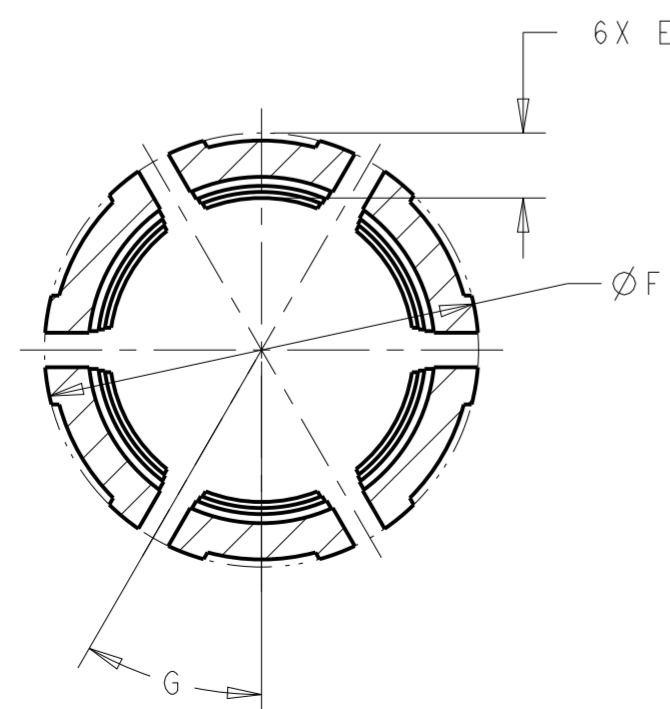


SCALE 2:1



SECTION A-A

- 1 MATERIAL:
TYPE: PA66 33%GF
COLOR: SEE TABLE
- 2. NOTED DELETED



SECTION B-B

60°	13.45	2.40	10.55	1.33g	NATURAL	9.30 - 10.10	A	2103155-3
60°	13.45	2.15	10.55	1.27g	BLACK	9.80 - 10.50	A	2103155-2
30°	14.35	2.15	11.45	1.27g	ORANGE	10.70 - 11.40	A	2103155-1
G	F	E	D	WEIGHT	COLOR	CABLE Ø	REV	PART NO

THIS DRAWING IS A CONTROLLED DOCUMENT.		DWN D. RHEIN 07DEC2010	TE Connectivity	
DIMENSIONS: mm		CHK D. RHEIN 23MAR2011		
TOLERANCES UNLESS OTHERWISE SPECIFIED:		APVD J. ROLEWITZ 23MAR2011	NAME COLLET HVA280 MULTI-CORE	
0 PLC ±		PRODUCT SPEC	SIZE CAGE CODE DRAWING NO RESTRICTED TO	
1 PLC ±0.2		APPLICATION SPEC	A200779 C-2103155	
2 PLC ±0.10		WEIGHT SEE TABLE	SCALE 4:1 SHEET 1 OF 1 REV A3	
3 PLC ±		CUSTOMER DRAWING		
4 PLC ±				
ANGLES ±5				
FINISH				

单击下面可查看定价，库存，交付和生命周期等信息

[>>TE Connectivity\(泰科\)](#)