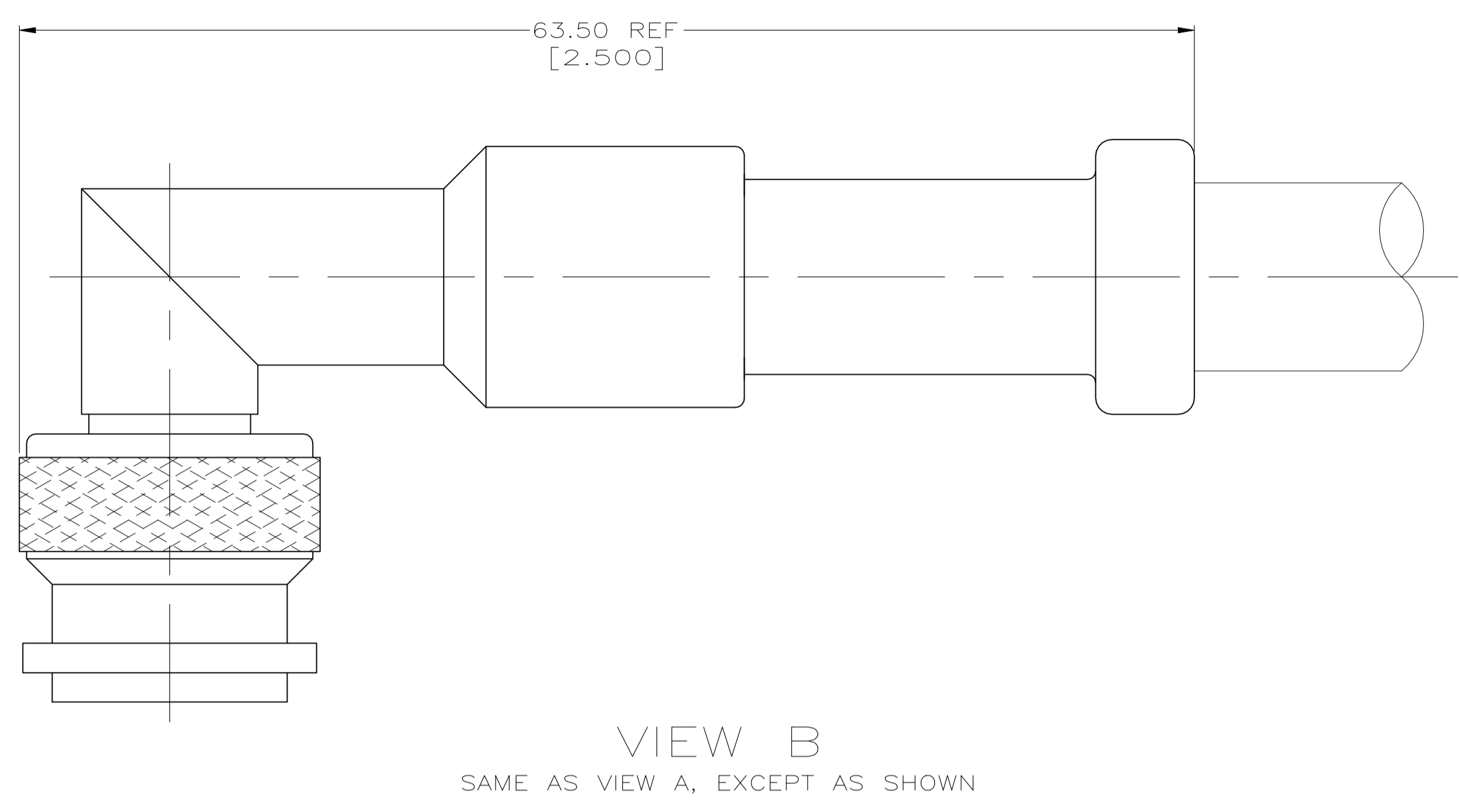
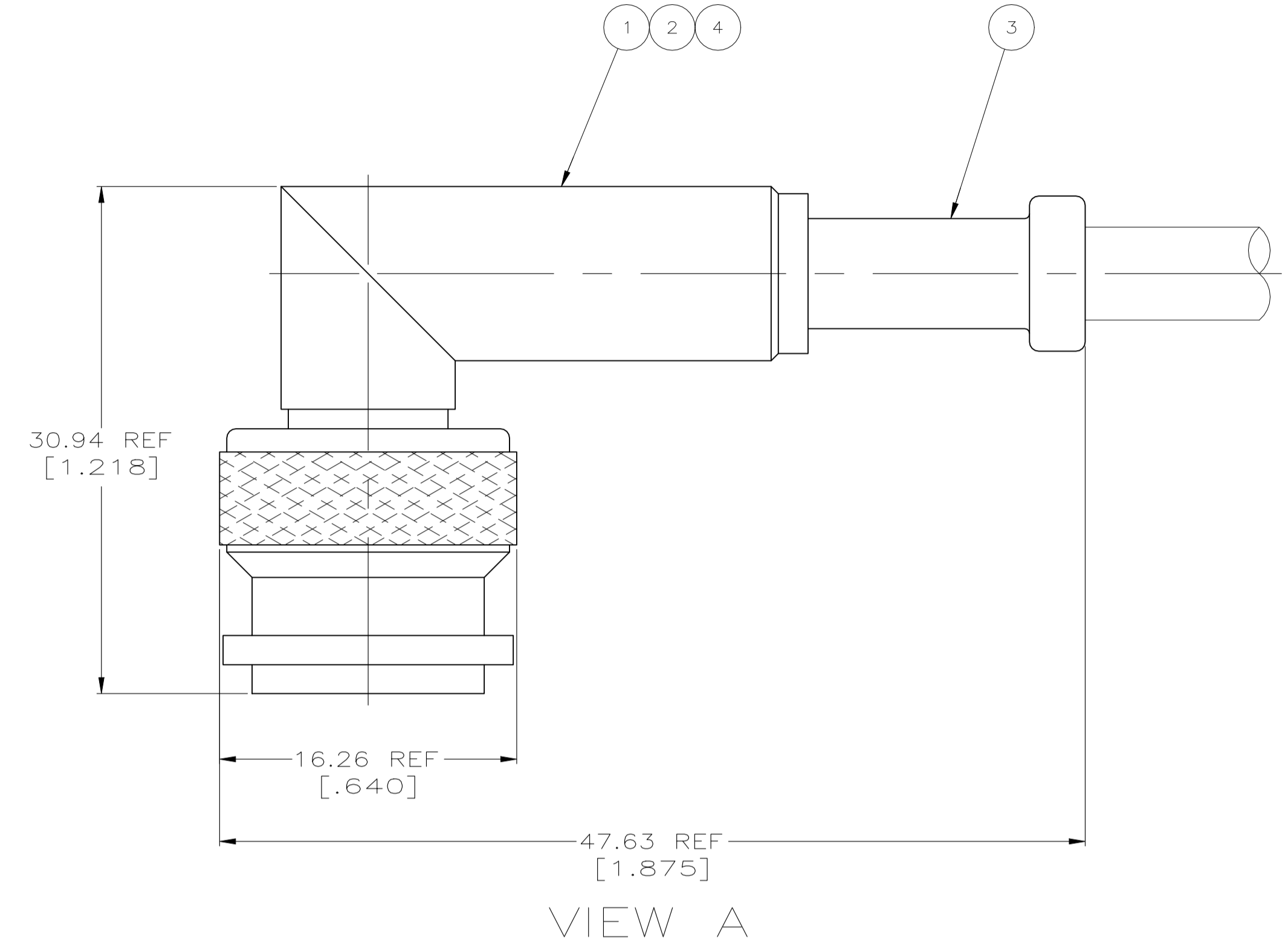
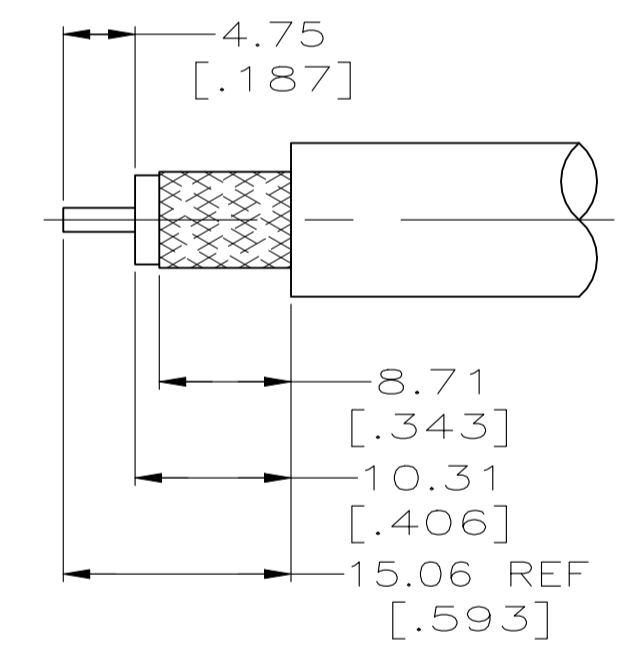


| REVISIONS |           |                           |    |     |      |
|-----------|-----------|---------------------------|----|-----|------|
| REV       | DATE      | DESCRIPTION               | BY | CHK | APPV |
| A1        | 26OCT2021 | REVISED PER ECN-21-122181 | RZ |     | WK   |

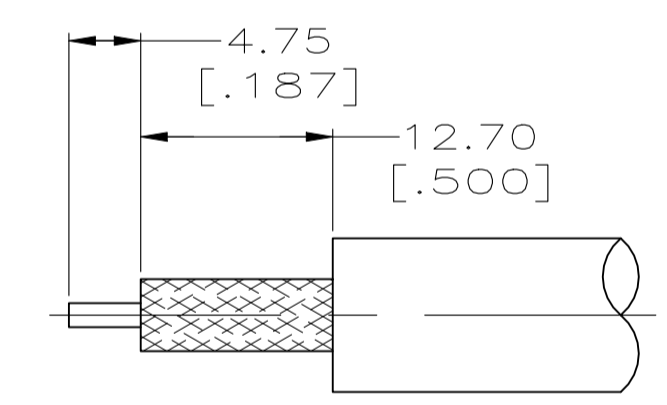
1. USE INSTRUCTION SHEET 408-2299-5.



VIEW B  
SAME AS VIEW A, EXCEPT AS SHOWN



RECOMMENDED STRIP LENGTH  
NO SCALE  
FOR 5225554-2 AND 5225554-6



RECOMMENDED STRIP LENGTH  
NO SCALE  
FOR 5225554-9 AND 1-5225554-1

|                          |            |                 |                    |                    |                          |      |             |
|--------------------------|------------|-----------------|--------------------|--------------------|--------------------------|------|-------------|
| RG-393/U                 | 220015-1   | 332022          | 9-225490-1         | 225471-7           | 9-225518-0               | B    | 1-5225554-1 |
| RG-9/U, 9A/U & 214/U     | 220015-1   | 332022          | 9-331987-3         | 225599-1           | 9-225518-0               | B    | 5225554-9   |
| RG-142/U, 142A/U, 142B/U | 220045-2   | -               | 9-225560-4         | 225471-3           | 9-225518-2               | A    | 5225554-6   |
| RG-58A/U, 58C/U          | 220045-2   | -               | 9-225560-5         | 225471-1           | 9-225518-1               | A    | 5225554-2   |
| CABLE                    | CRIMP TOOL | ④ SEAL<br>QTY=1 | ③ FERRULE<br>QTY=1 | ② CONTACT<br>QTY=1 | ① PLUG ASSEMBLY<br>QTY=1 | VIEW | PART NUMBER |

THIS DRAWING IS A CONTROLLED DOCUMENT.

|                            |  |                          |              |
|----------------------------|--|--------------------------|--------------|
| DIMENSIONS:<br>mm [INCHES] | TOLERANCES UNLESS OTHERWISE SPECIFIED: | DRAWING NO<br>408-2299-5 | REV<br>A1    |
| 0. PLC ± -                 | 1. PLC ± -                             | WEIGHT<br>0.000000       | SCALE<br>4:1 |
| 2. PLC ± 0.41 [016]        | 3. PLC ± -                             | CUSTOMER DRAWING         | SHEET 1 of 1 |
| 4. PLC ANGLES ± -          | FINISH -                               | DATE<br>26OCT2021        | REV<br>A1    |

APPROVED: J. LIPPERT  
DESIGNED: J. HAVENER  
DRAWN: A. FERNANDEZ-DICKS

PRODUCT SPEC: 108-12001  
APPLICATION SPEC: 408-2299-5

NAME: PLUG, RIGHT ANGLE, WEATHERPROOF, TNC  
SIZE: A1

单击下面可查看定价，库存，交付和生命周期等信息

[>>TE Connectivity\(泰科\)](#)