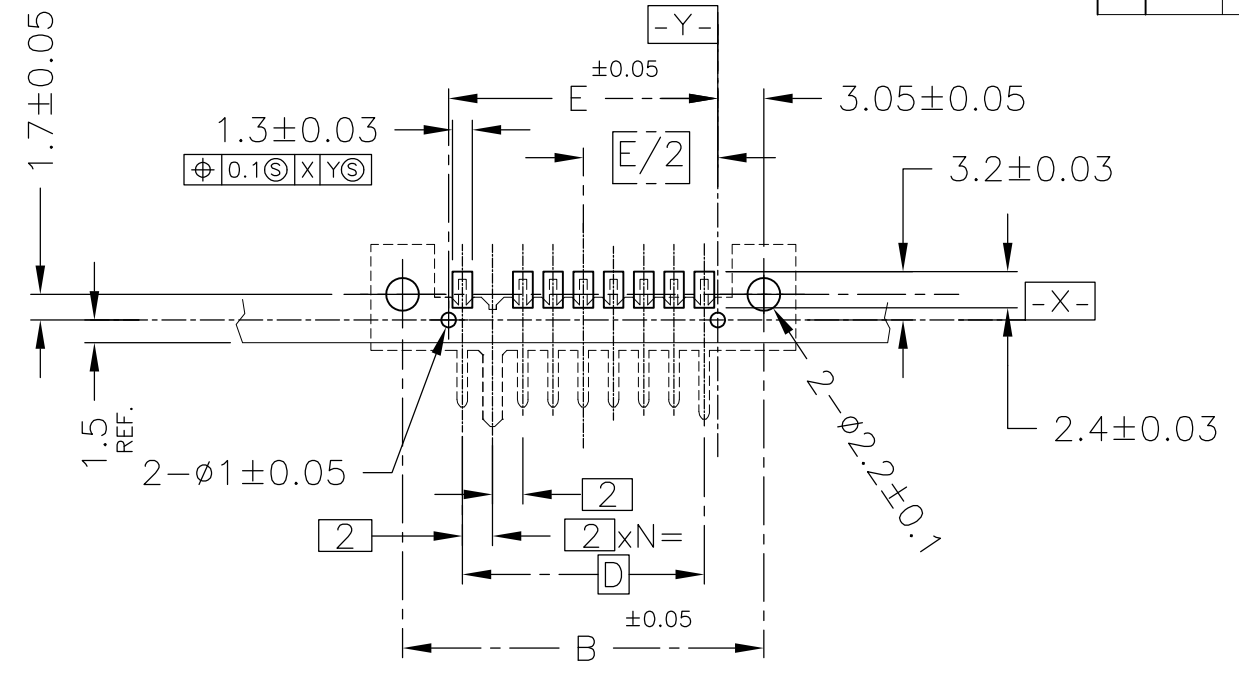
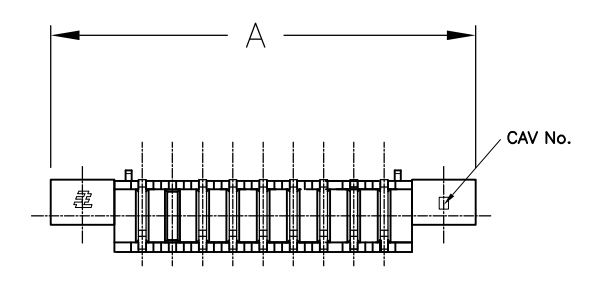


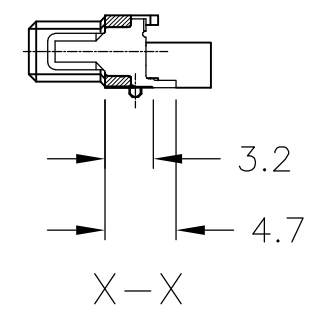
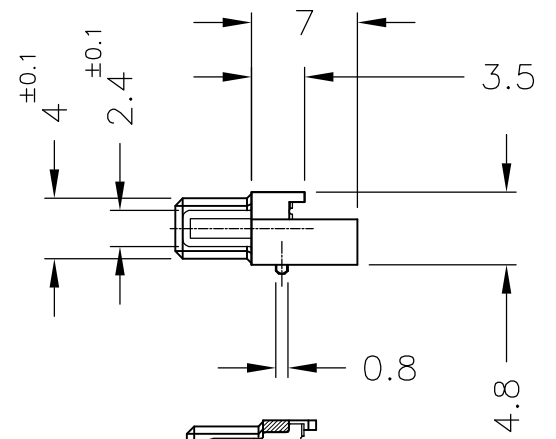
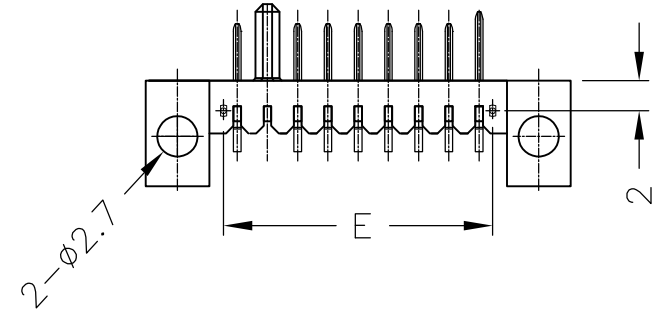
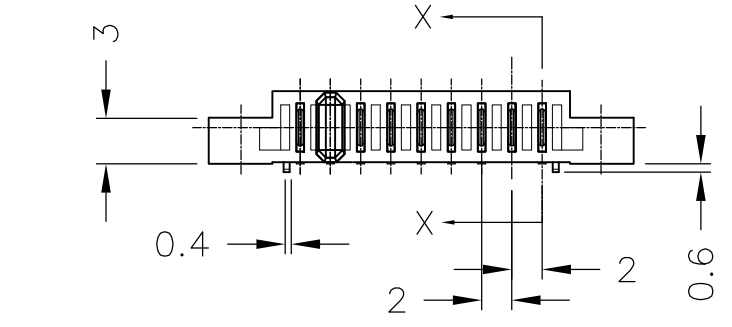
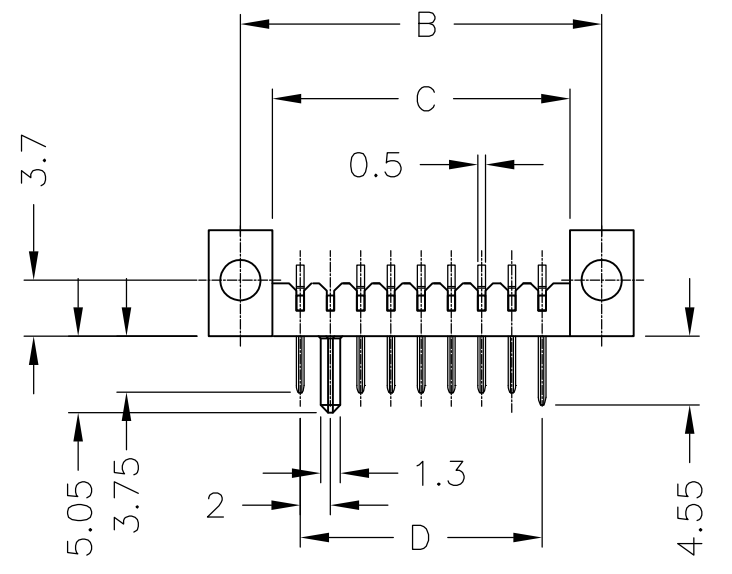
THIS DRAWING IS UNPUBLISHED. RELEASED FOR PUBLICATION  
 © COPYRIGHT BY TYCO ELECTRONICS CORPORATION. ALL INTERNATIONAL RIGHTS RESERVED.

LOC ES	DIST	REVISIONS 変更					
		P	LTR	DESCRIPTION	DATE	DWN	APVD
			D	REVISED PER ECR-10-024411	29NOV2010	E.L	C.W

1747785-1:AS SHOWN



REFERENCE P.C.BOARD LAYOUT  
 P.C.BOARD THK 0.8~1.2  
 (VIEW FROM CONNECTOR MOUNTING SIDE)



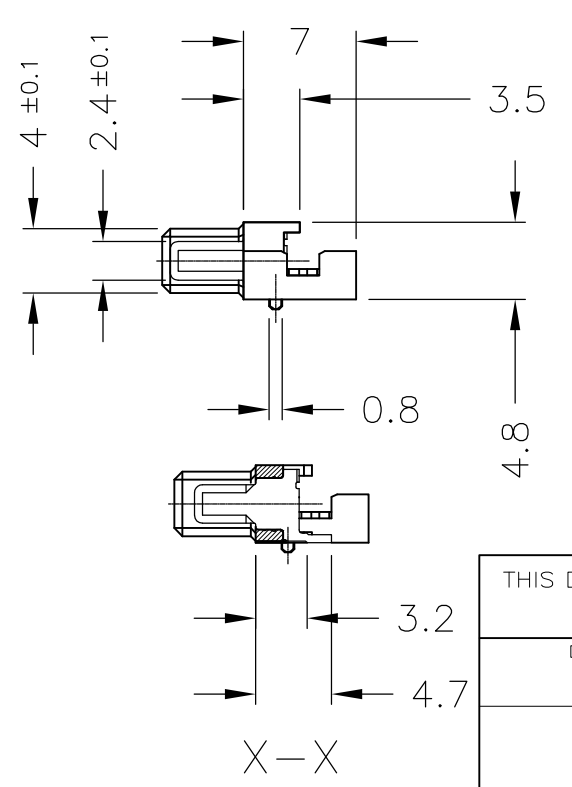
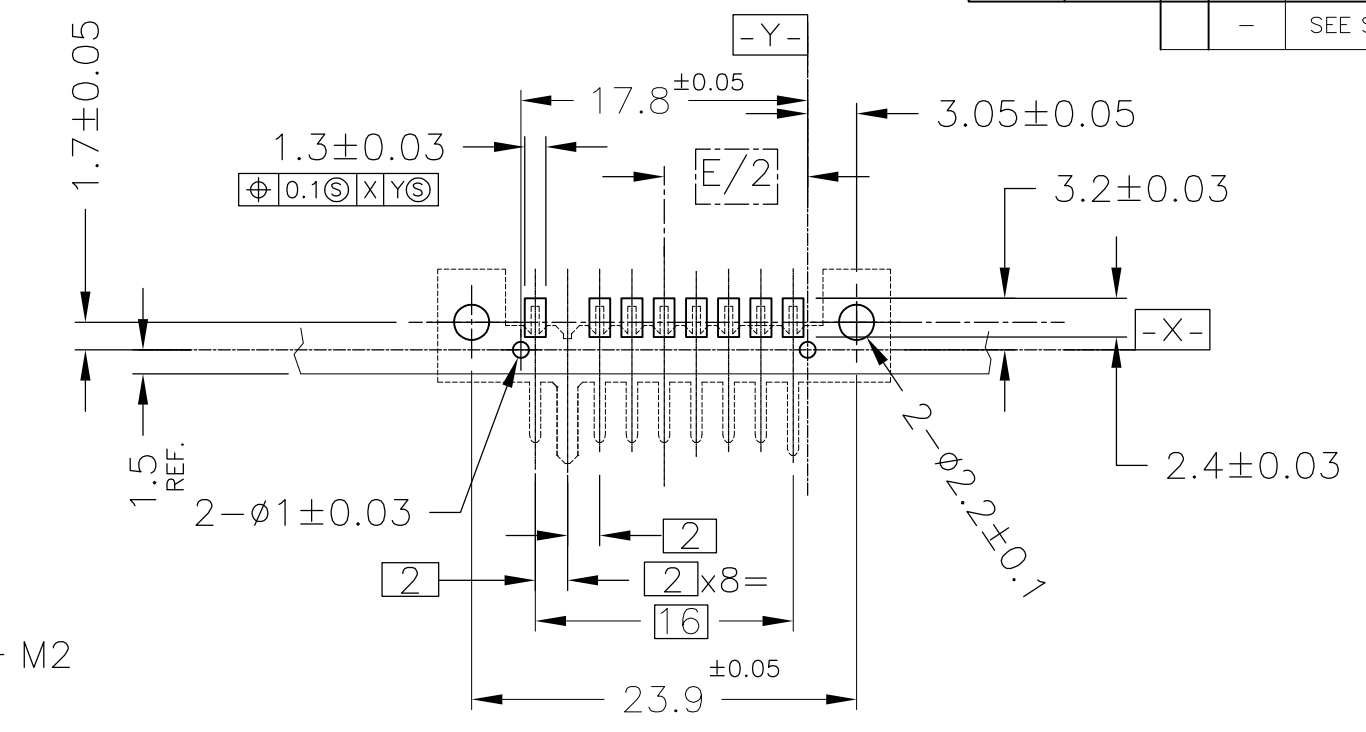
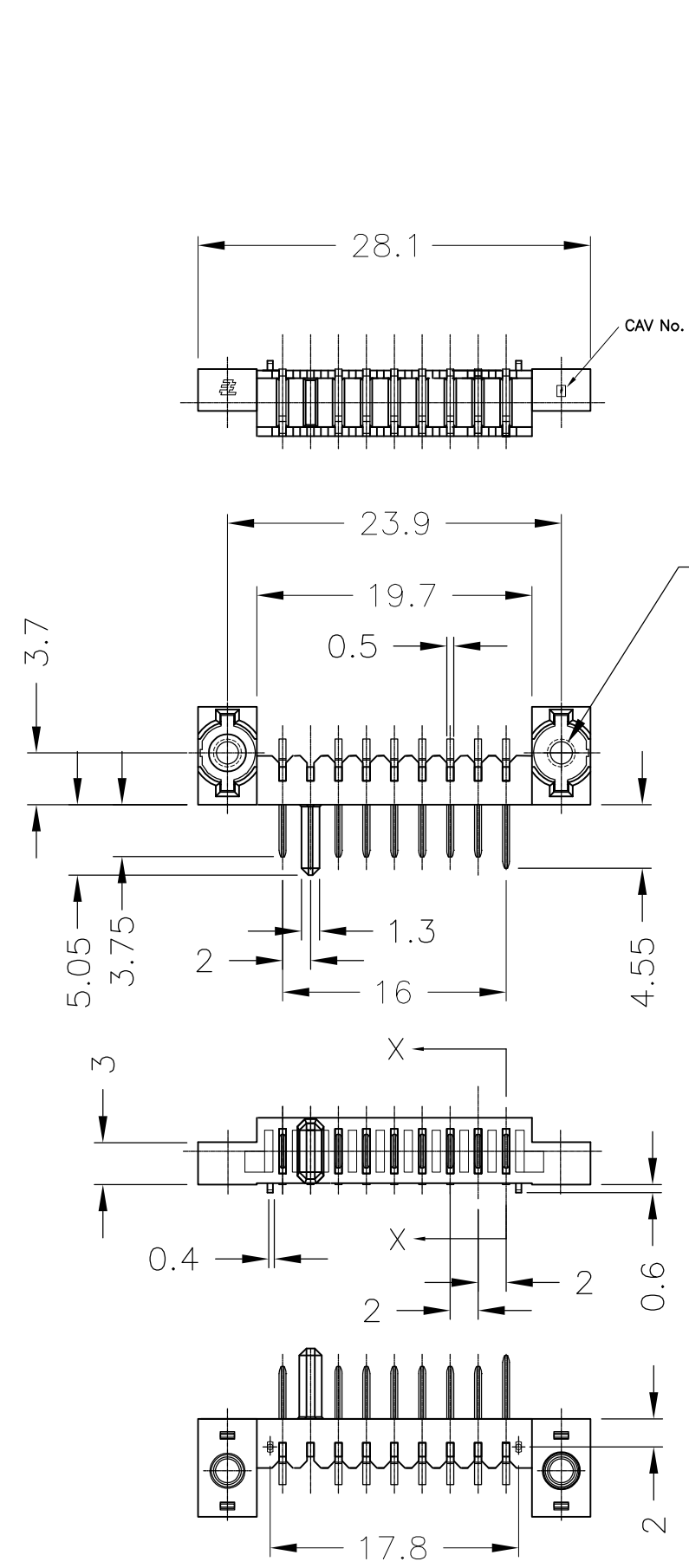
- ① MATERIAL HOUSING : 6T NYLON, UL94V-0  
 COLOR ; BLACK  
 CONTACT : COPPER ALLOY
- ② FINISH CONTACT : Ni 2μm MIN. ALL OVER UNDER PL  
 Au PL. 0.3μm MIN. AT CONTACT AREA  
 Au FLASH PL. 0.05~0.15μm  
 AT LEAD AREA

OBSELETE	1.4g	21.8	20	23.7	27.9	32.1	10	1747785-2
	1.2g	17.8	16	19.7	23.9	28.1	8	1747785-1
WEIGHT	E	D	C	B	A	N (POS)		P/N

THIS DRAWING IS A CONTROLLED DOCUMENT.		DWN T.KATANO 12AUG04	Tyco Electronics Corporation Harrisburg, PA 17105-3608	
DIMENSIONS: 単位: 耗 mm		CHK T.KIMURA 12AUG04	NAME K.IKEGAMI	
TOLERANCES UNLESS OTHERWISE SPECIFIED: 一般公差		APVD K.IKEGAMI 12AUG04	PRODUCT SPEC 製品規格 108-5850	
6-PLC ±0.3		APPLICATION SPEC 取付適用規格		
1-PLC ±		SIZE A3		
2-PLC ±		CAGE CODE 00779		
3-PLC ±		DRAWING NO G-1747785		
4-PLC ±		RESTRICTED TO -		
ANGLES ±3'		SCALE 尺度 2:1		
MATERIAL 材料		SHEET 1 OF 2		
FINISH 仕上		REV D		
①		CUSTOMER DRAWING		
②				

THIS DRAWING IS UNPUBLISHED. RELEASED FOR PUBLICATION  
 © COPYRIGHT BY TYCO ELECTRONICS CORPORATION. ALL INTERNATIONAL RIGHTS RESERVED.

LOC	DIST	REVISIONS					
ES		P	LTR	DESCRIPTION	DATE	DWN	APVD
		-	-	SEE SHEET 1	-	-	-



1747785-3:AS SHOWN

- ① MATERIAL HOUSING : NYLON, UL94V-0  
 COLOR ; BLACK  
 CONTACT : COPPER ALLOY
- ② FINISH CONTACT : Ni 2μm MIN. ALL OVER UNDER PL  
 Au PL. 0.3μm MIN. AT CONTACT AREA  
 Au FLASH PL. 0.05~0.15μm AT LEAD AREA

1.26g	8	1747785-3
WEIGHT	POS	P/N

THIS DRAWING IS A CONTROLLED DOCUMENT.		DWN T.KATANO 12AUG04	Tyco Electronics Corporation Harrisburg, PA 17105-3608	
DIMENSIONS: 单位: 耗 mm		CHK T.KIMURA 12AUG04		
TOLERANCES UNLESS OTHERWISE SPECIFIED: 一般公差		APVD K.IKEGAMI 12AUG04	NAME 名称	
0 PLC ± 0.3		PRODUCT SPEC 製品規格		PLUG ASSEMBLY 2mm PITCH BATTERY CONNECTOR REVERSE TYPE
1 PLC ±		108-5850		
2 PLC ±		APPLICATION SPEC 取付適用規格		SIZE
3 PLC ±		WEIGHT SEE TABLE		CAGE CODE
4 PLC ±		CUSTOMER DRAWING		DRAWING NO
ANGLES ± 3'		SCALE 尺度 2:1		RESTRICTED TO
FINISH 仕上		SHEET 2 OF 2		REV D

单击下面可查看定价，库存，交付和生命周期等信息

[>>TE Connectivity\(泰科\)](#)