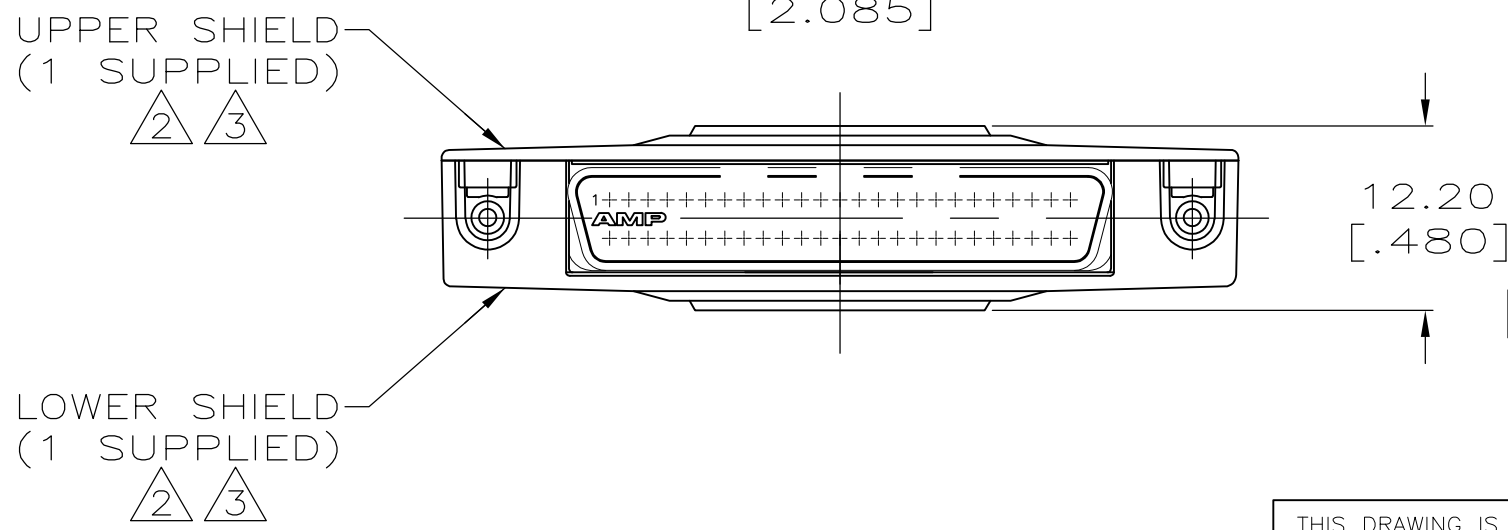
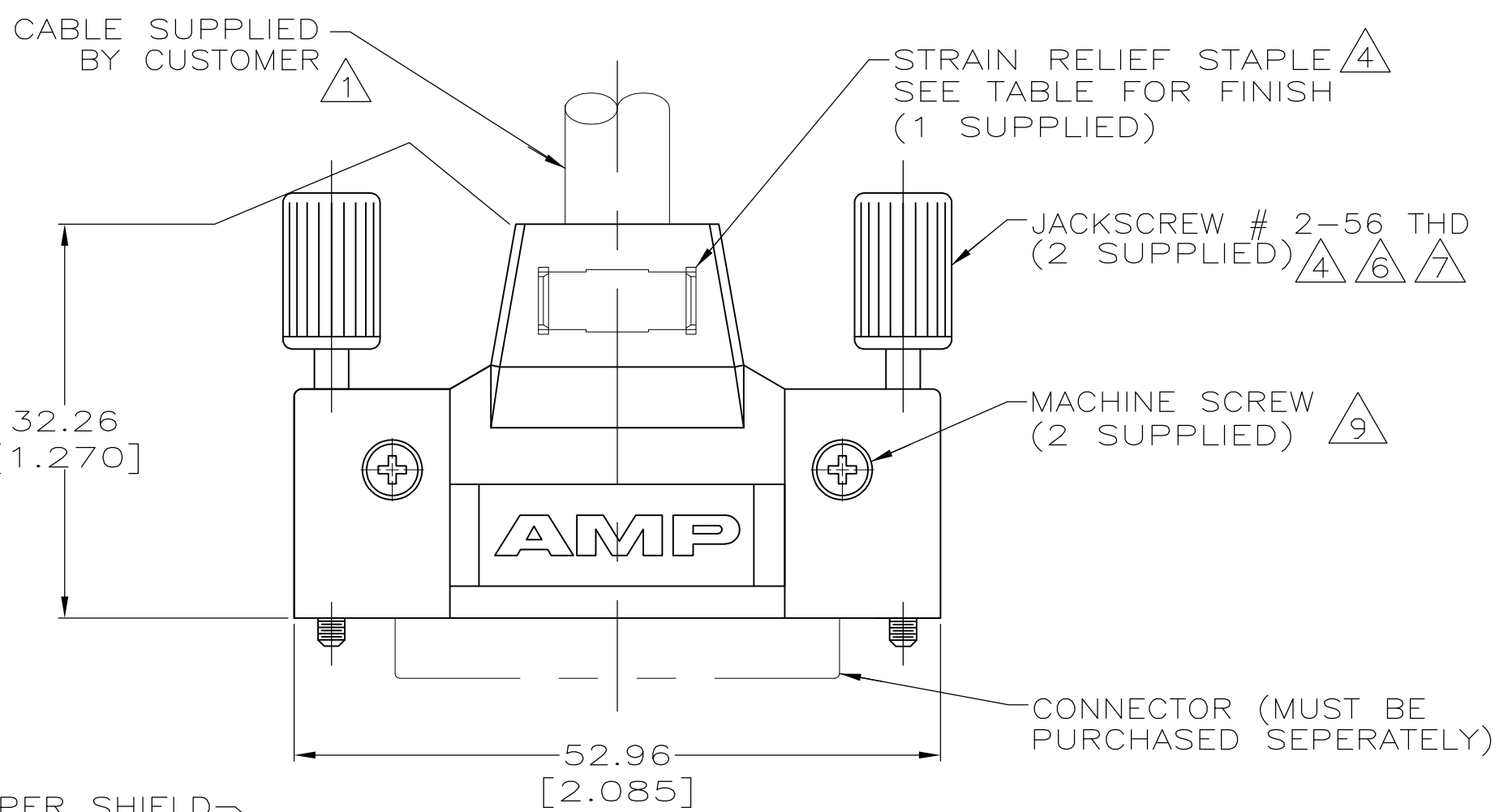


THIS DRAWING IS UNPUBLISHED. RELEASED FOR PUBLICATION
 © COPYRIGHT - By - ALL RIGHTS RESERVED.

LOC	DIST	REVISIONS			
P	LTR	DESCRIPTION	DATE	DWN	APVD
GP	00	F	REVISED PER ECO-11-012218	14JUL2011	CJV SLB



- 1 10.16 [.400] MAX CABLE DIA.
- 2 ZINC PER ASTM AG40A, UNS Z33521.
- 3 NICKEL PLATED.
- 4 STEEL PER ASTM A109.
- 5 BRIGHT TIN-LEAD PLATED.
- 6 POLYPROPYLENE OR NYLON, UL94V-0, BLACK.
- 7 BLACK ZINC PLATED.
- 8 BRIGHT TIN PLATED.
- 9 STAINLESS STEEL.

SUPERSEDED BY 5749080-1	KIT	8	749080-3
OBSOLETE	BULK	5	749080-2
	KIT	5	749080-1
	PACKAGING	STAPLE	PART NO

THIS DRAWING IS A CONTROLLED DOCUMENT.		DWN JACK ROOT 11-23-88	STE TE Connectivity	
		CHK M.WATERS 12-1-88		
DIMENSIONS: [mm] INCHES		NAME		
TOLERANCES UNLESS OTHERWISE SPECIFIED:		PRODUCT SPEC		
0 PLC ± -		APPLICATION SPEC		
1 PLC ± -		SIZE CAGE CODE DRAWING NO RESTRICTED TO		
2 PLC ± 0.38 [.015]		A3 00779 C-749080		
3 PLC ± -		SCALE 2:1 SHEET 1 OF 1 REV F		
4 PLC ± -				
ANGLES ± -				
MATERIAL -		CUSTOMER DRAWING		
FINISH -				

单击下面可查看定价，库存，交付和生命周期等信息

[>>TE Connectivity\(泰科\)](#)