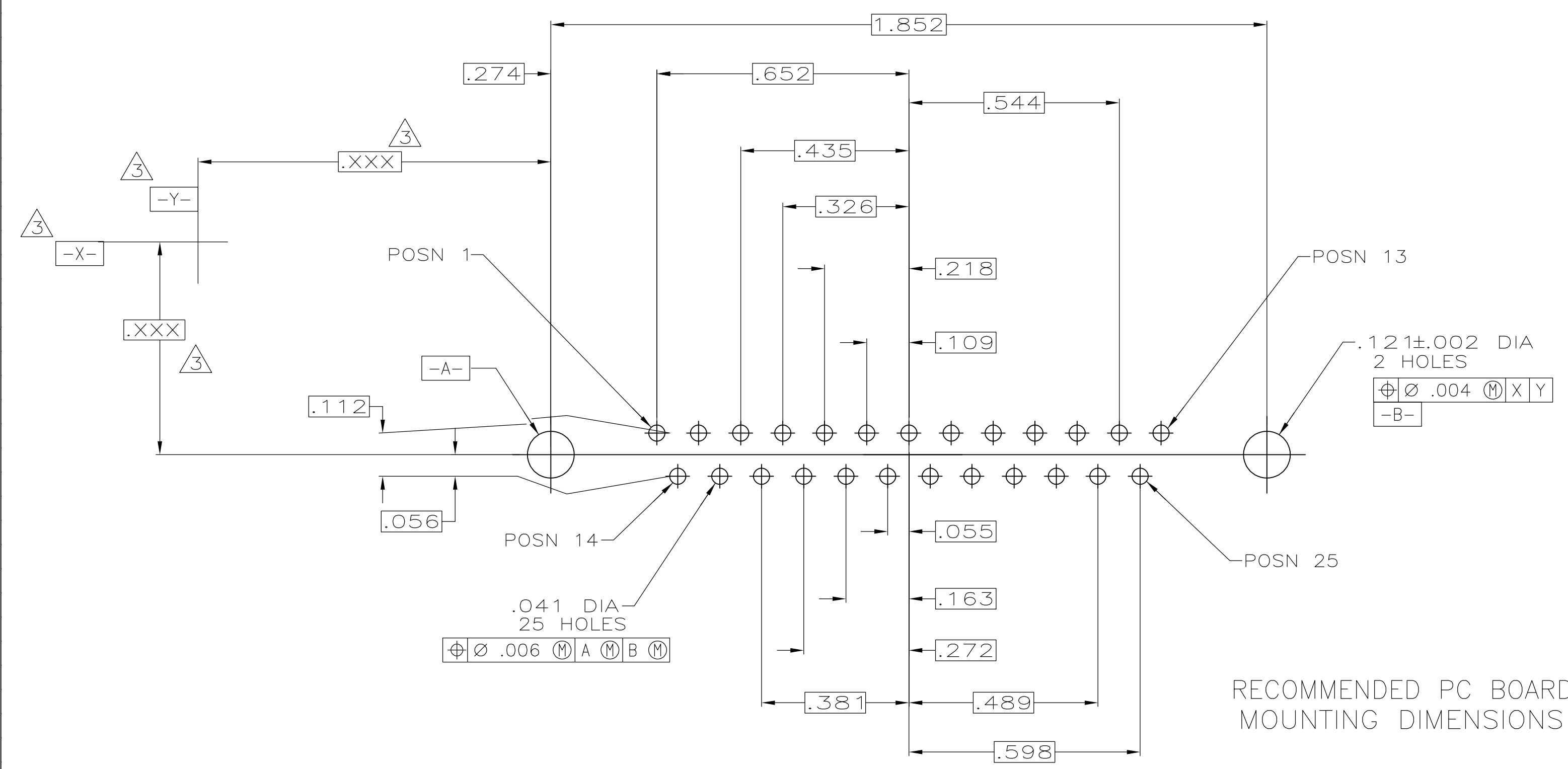
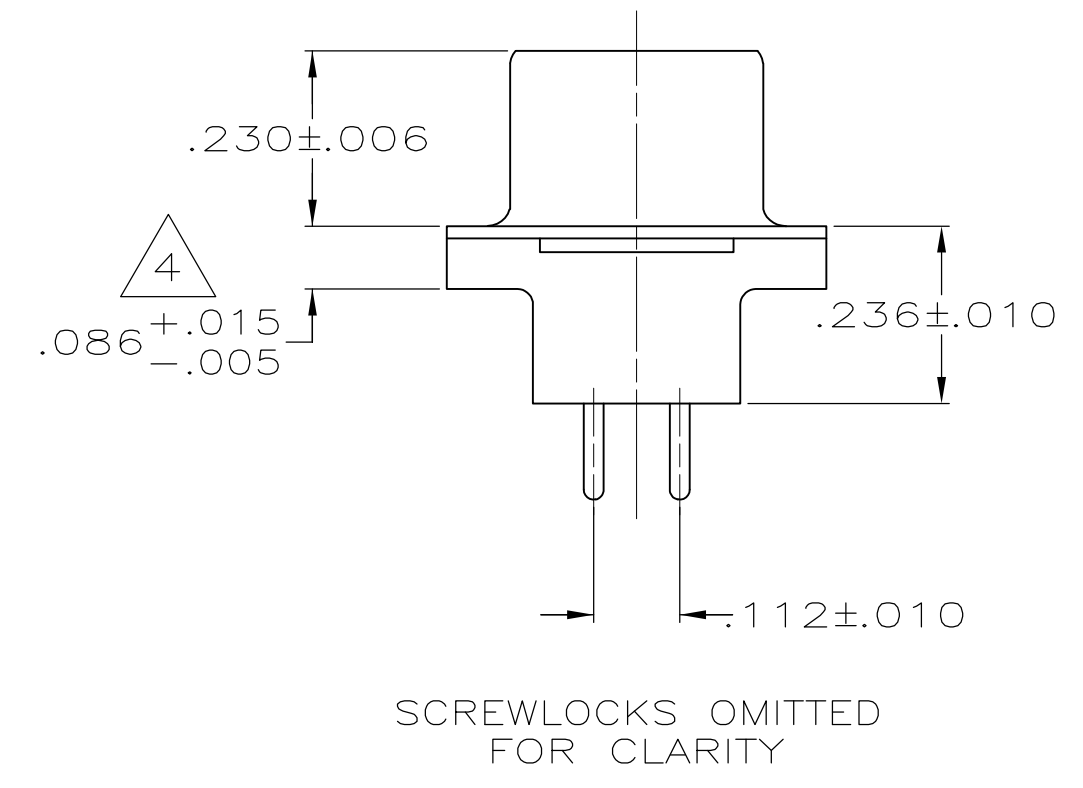
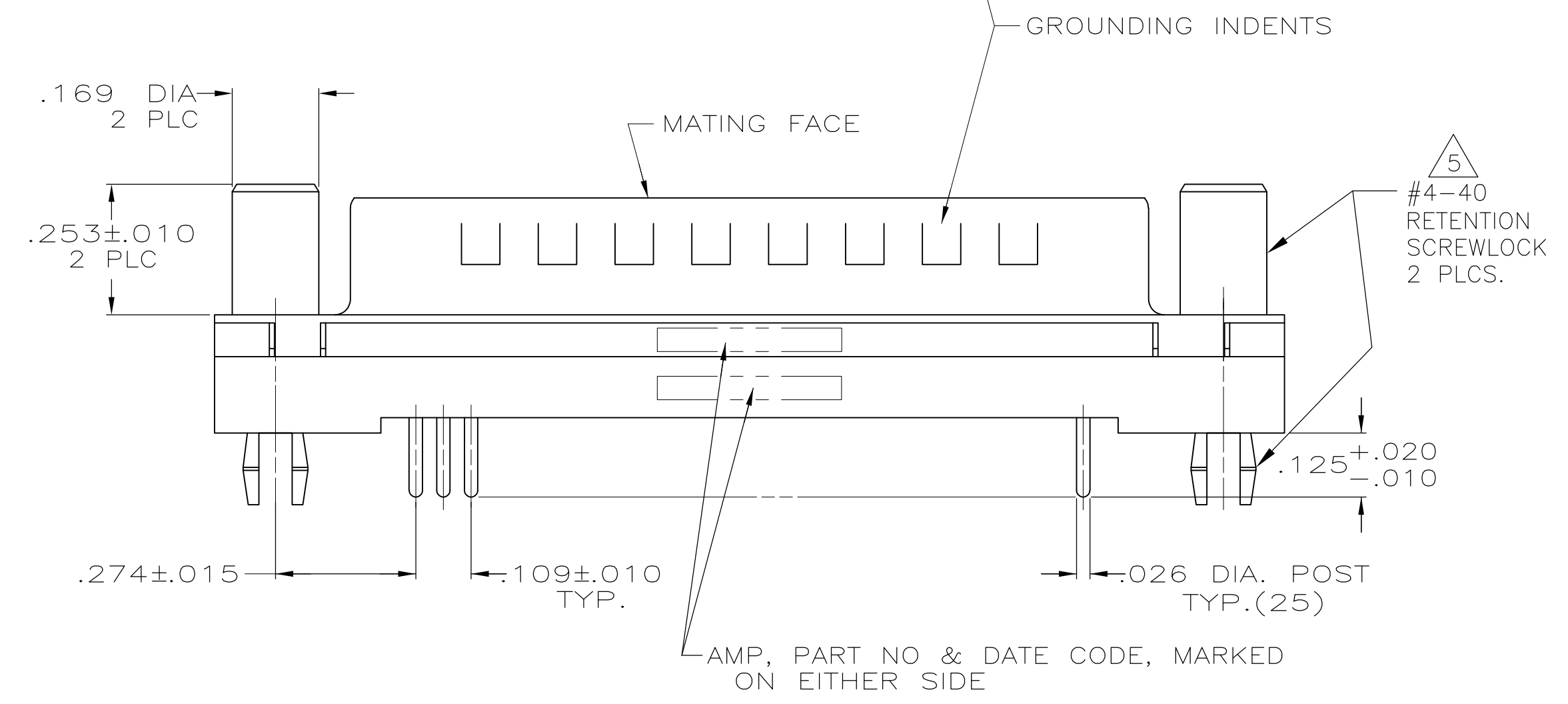


- ① HOUSING: FLAME RETARDANT 94V-0 RATED THERMOPLASTIC, BLACK
 SHELLS: CARBON STEEL
 CONTACTS: BRASS
 SCREWLOCKS: BRASS
- ② SHELLS: .000200 MIN TIN OVER .000100 COPPER.
 SCREWLOCKS: .000100 MIN TIN-LEAD OVER .000050 MIN NICKEL OVER COPPER FLASH.
 CONTACTS: GOLD PLATED FOR A LENGTH OF .150 FROM MATING END, .000030 MIN GOLD IN MATED AREA, .000100-.000200 BRIGHT TIN OR BRIGHT TIN-LEAD ON SOLDER END, ALL OVER .000050 MIN NICKEL ON ENTIRE CONTACT.
 -OR-
 GOLD FLASH OVER PALLADIUM NICKEL PLATED FOR LENGTH OF .150 FROM MATING END, .000030 MIN PALLADIUM NICKEL IN MATED AREA, .000100-.000200 BRIGHT TIN OR BRIGHT TIN-LEAD ON SOLDER END, ALL OVER .000050 MIN NICKEL ON ENTIRE CONTACT.
- ③ DATUMS AND BASIC DIMENSIONS ESTABLISHED BY CUSTOMERS.
- ④ .110 MAX IN SHELL TAB CLINCH AREAS.
- ⑤ ORIENTATION IS OPTIONAL AND MAY NOT BE AS SHOWN.



RECOMMENDED PC BOARD MOUNTING DIMENSIONS

748027-1
PART NUMBER

THIS DRAWING IS A CONTROLLED DOCUMENT.		DIN S. WELDON 05/09/85	Tyco Electronics Corporation Harrisburg, PA 17105-3608
DIMENSIONS: INCHES		CIK J. GERACE 07/17/85	
TOLERANCES UNLESS OTHERWISE SPECIFIED:		APVD	NAME
0 PLC ± -	1 PLC ± -	PRODUCT SPEC	PLUG ASSEMBLY, SIZE 3, 25 POSITION, VERTICAL, .026 DIAMETER DUPLEX PLATED POSTS, FRONT SHELL, WITH RETENTION
2 PLC ± -	3 PLC ± .005	APPLICATION SPEC	108-40025
4 PLC ± -	ANGLES ± -	SIZE	114-40023
MATERIAL	FINISH	WEIGHT	SCALE 4:1 SHEET 1 OF 1 REV
CUSTOMER DRAWING		00779C=748027	RESTRICTED TO

单击下面可查看定价，库存，交付和生命周期等信息

[>>TE Connectivity\(泰科\)](#)