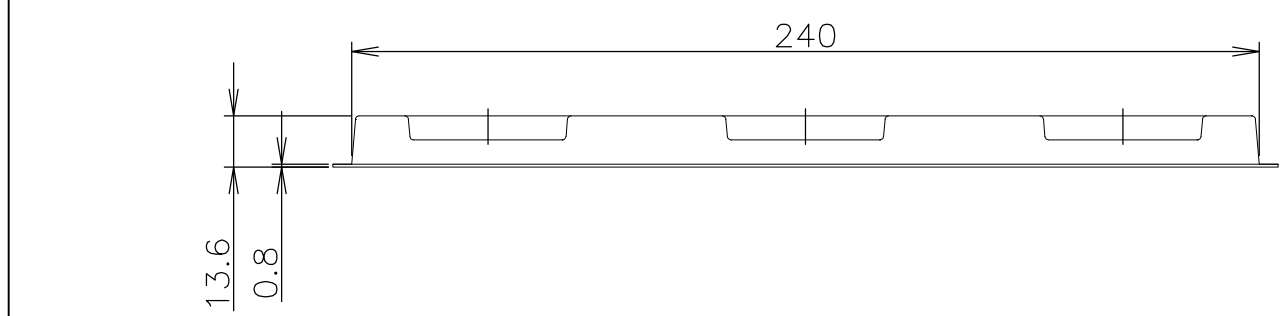
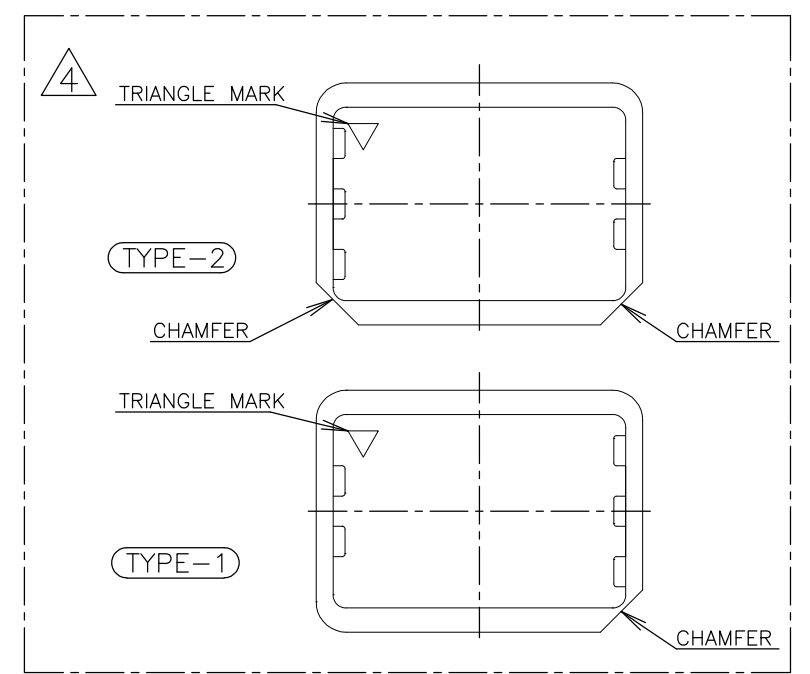
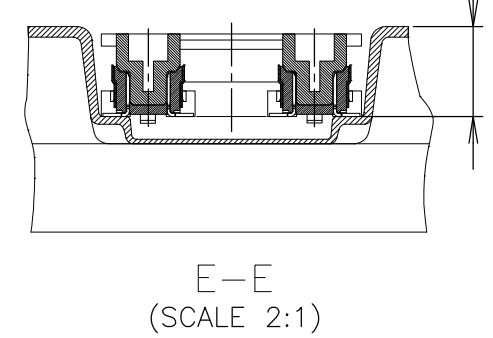
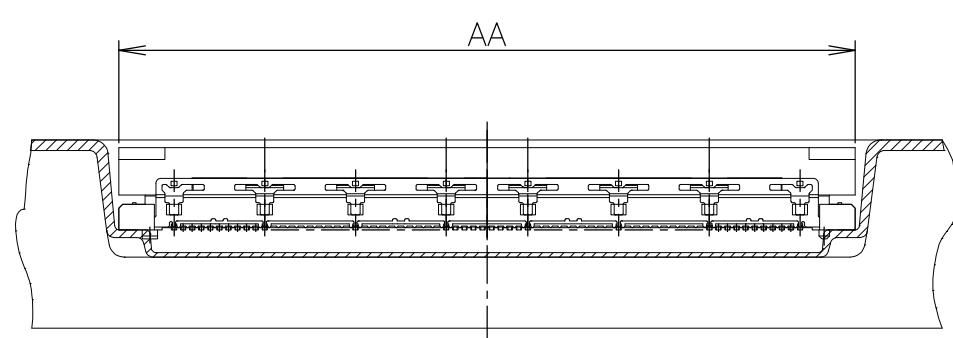
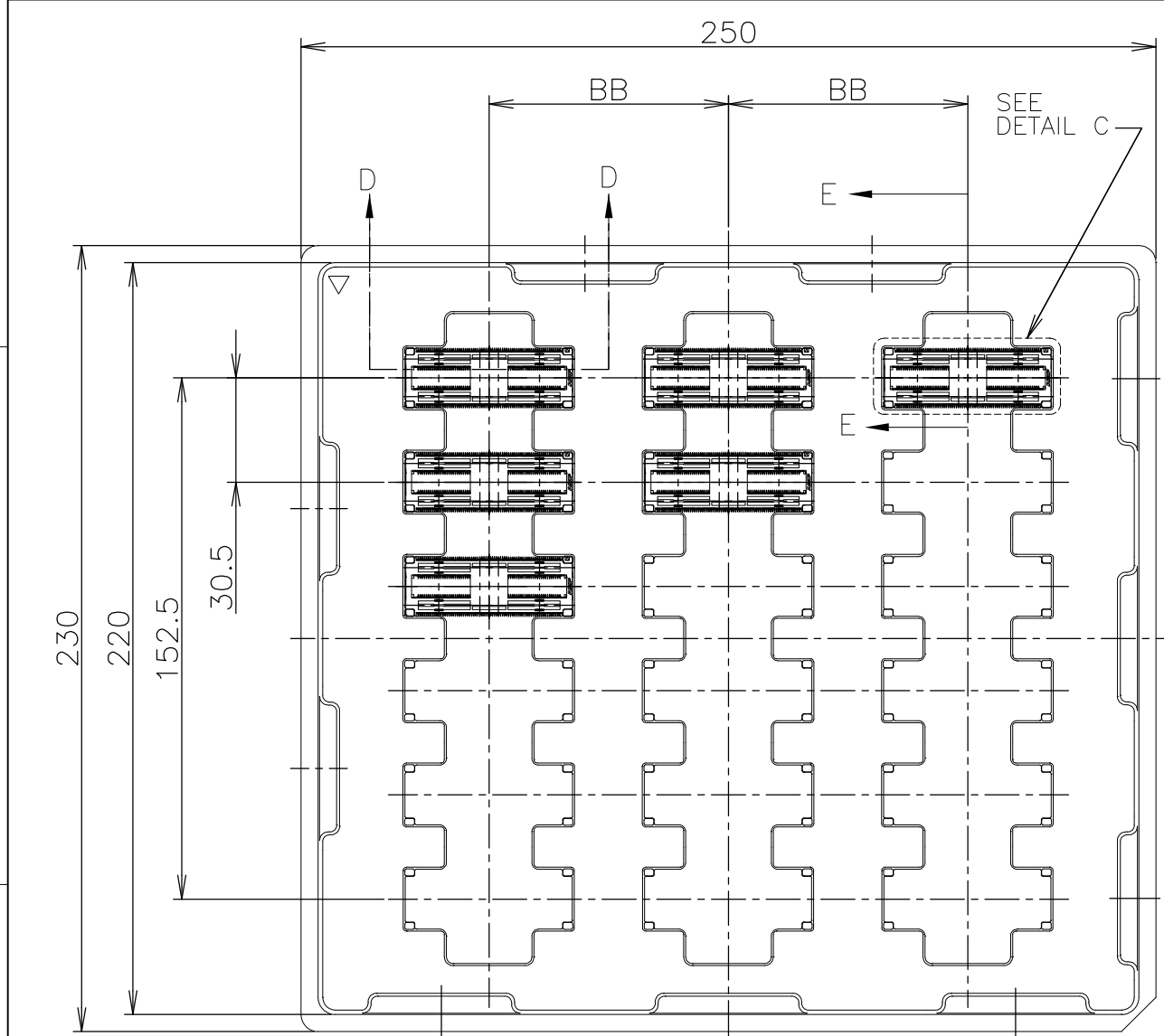
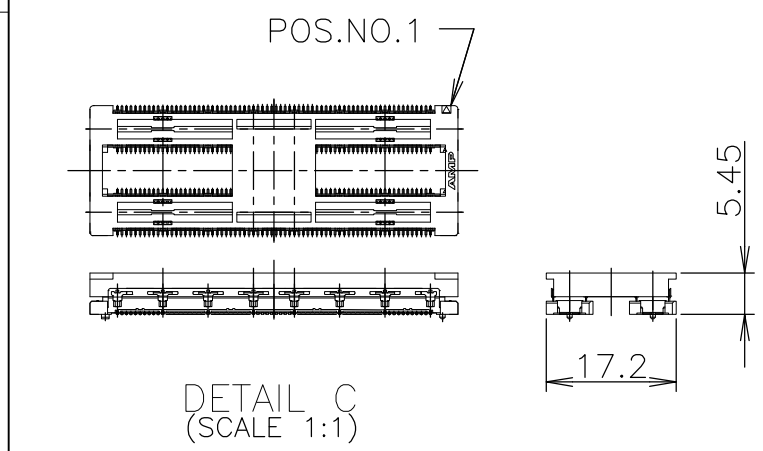


THIS DRAWING IS UNPUBLISHED. RELEASED FOR PUBLICATION DEC ,1996.  
 © COPYRIGHT 1996 BY TYCO ELECTRONICS CORPORATION. ALL RIGHTS RESERVED.

LOC J	DIST	REVISIONS 変更			DATE	DWN	APVD
P	LTR	DESCRIPTION	DATE	DWN	APVD		
	A	REVISED ECR-08-000339	01FEB08	T.T	T.F		



SEALANT	NOT AVAILABLE	3	18	70	54.7	320	6-5353720-1
	AVAILABLE	↑	↑	↑	48.7	280	6-↑-0
	NOT AVAILABLE	↓	↓	↓	42.7	240	5-↓-9
	NOT AVAILABLE	3	18	70	36.7	200	5-5353720-8
NON SEALANT	NOT AVAILABLE	3	18	70	54.7	320	1-5353720-1
	AVAILABLE	↑	↑	↑	48.7	280	1-↑-0
	NOT AVAILABLE	↓	↓	↓	42.7	240	↓-9
	NOT AVAILABLE	3	18	70	36.7	200	5353720-8
SEALANT	TOOLING STATUS	ROW	QTY	BB	AA	POS.	PART NO.



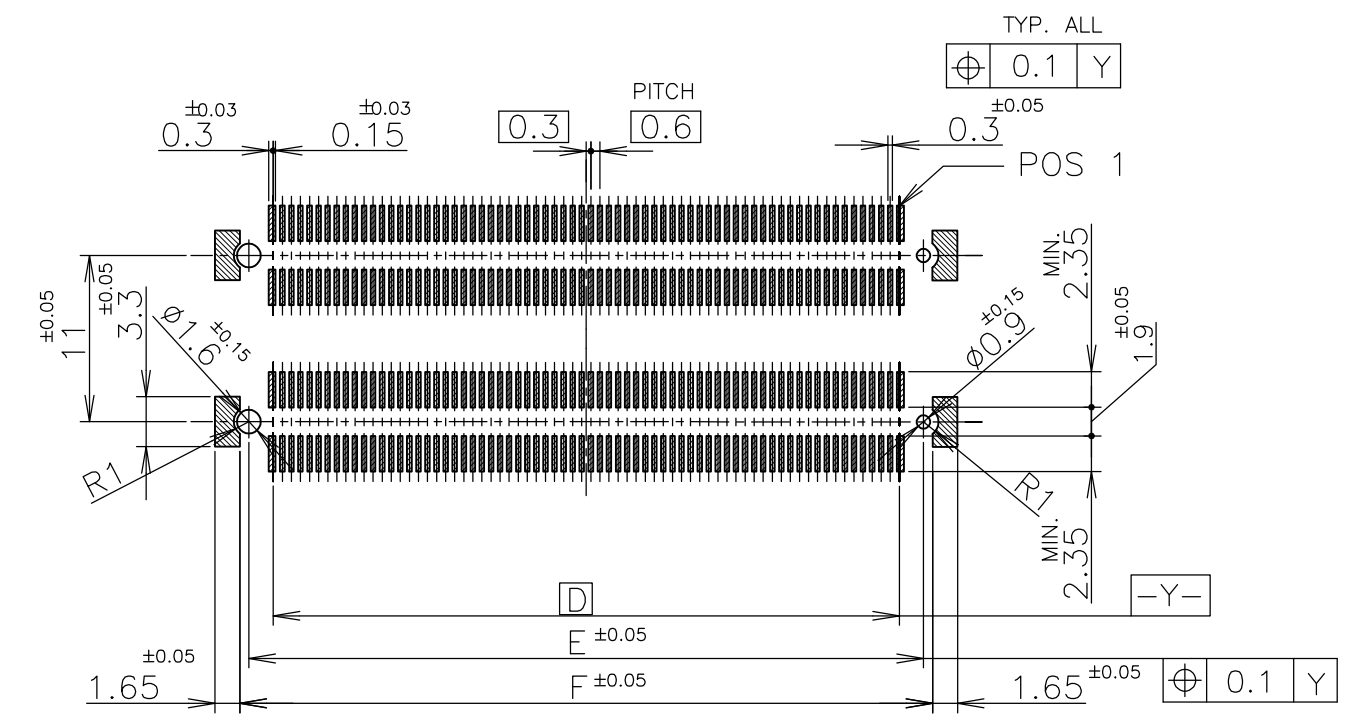
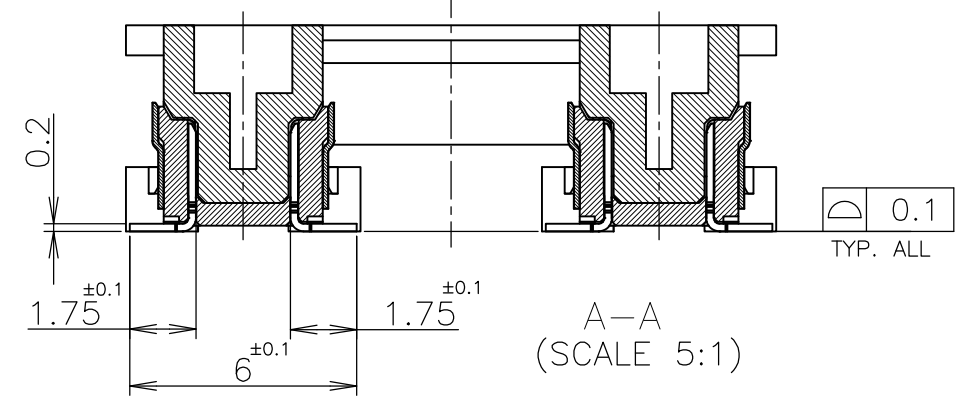
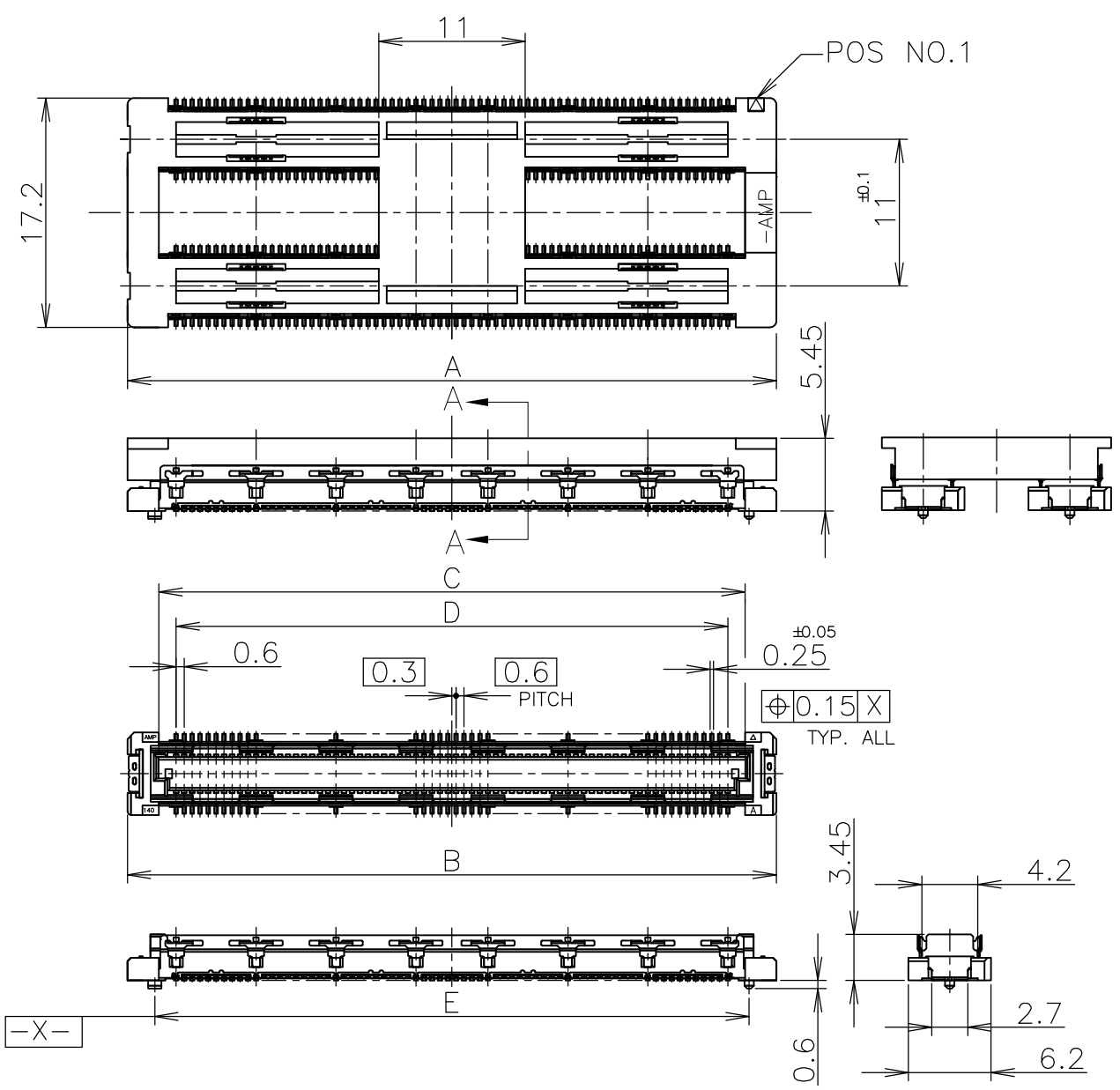
GENERAL TOLERANCE  
 一般公差  
 10 ≥ ±0.2  
 30 ≥ >10: ±0.25  
 100 ≥ >30: ±0.3  
 ANGLES: ±3°

THIS DRAWING IS A CONTROLLED DOCUMENT.

DWN LEO ZHOU 16NOV04	Tyco Electronics Corporation Kawasaki, Japan
CHK STEVEN YAO 16NOV04	
APVD I.ENOMOTO 16NOV04	
NAME 名称	
PRODUCT SPEC 製品規格 108-60047	SOFT TRAY ASSY FH 0.6BTB CONNECTOR PLUG 4H W/G-PLATE 2ROW TYPE
APPLICATION SPEC 取付適用規格 114-5255	SIZE A3
WEIGHT	CAGE CODE 00779
CUSTOMER DRAWING	RESTRICTED TO 番号 C-5353720
	SCALE 尺度 1:2
	SHEET 1 OF 3
	REV A

THIS DRAWING IS UNPUBLISHED. RELEASED FOR PUBLICATION DEC, 1996.  
 © COPYRIGHT 1996 BY TYCO ELECTRONICS CORPORATION. ALL RIGHTS RESERVED.

LOC	DIST	REVISIONS			DATE	DWN	APVD
J		P	LTR	DESCRIPTION			
				SEE SHEET 1	-	-	-



REFERENCE P.C.BOARD LAYOUT

- ① MATERIAL ; HOUSING : HIGH TEMP THERMO PLASTIC UL94V-0  
CONTACT : COPPER ALLOY
- ② FINISH ; UNDER PL Ni 0.0013mm MIN ALL OVER.  
CONTACT AREA 0.0002 MIN Au PL.  
SOLDERING AREA 0.001 MIN TIN PL.
- ③ THIS POSITION IS GROUND CIRCUIT.
- ④ TRAY TYPE-1 AND TYPE-2 MUST BE PILED UP BY TURNS.  
(REFER TO PACKING SPECIFICATIONS)

NOT AVAILABLE	51.8	50.6	47.4	50	54.7	54.7	320	1-5353720-1 & 6-5353720-1
AVAILABLE	45.8	44.6	41.4	44	48.7	48.7	280	1- -0 & 6- -0
NOT AVAILABLE	39.8	38.6	35.4	38	42.7	42.7	240	-9 & 5- -9
AVAILABLE	33.8	32.6	29.4	32	36.7	36.7	200	5353720-8 & 5-5353720-8
TOOLING STATUS	F	E	D	C	B	A	POS	PART NO.

THIS DRAWING IS A CONTROLLED DOCUMENT.		DWN		Tyco Electronics Corporation Kawasaki, Japan															
DIMENSIONS: 単位: 耗 mm		TOLERANCES UNLESS OTHERWISE SPECIFIED: 一般公差		NAME 名称															
<table border="1"> <tr><td>0 PLC</td><td>± -</td></tr> <tr><td>1 PLC</td><td>± -</td></tr> <tr><td>2 PLC</td><td>± -</td></tr> <tr><td>3 PLC</td><td>± -</td></tr> <tr><td>4 PLC</td><td>± -</td></tr> <tr><td>ANGLES</td><td>± -</td></tr> </table>		0 PLC	± -	1 PLC	± -	2 PLC	± -	3 PLC	± -	4 PLC	± -	ANGLES	± -	<table border="1"> <tr><td>FINISH 仕上</td><td>②</td></tr> </table>		FINISH 仕上	②	Tyco Electronics Corporation SOFT TRAY ASSY FH 0.6BTB CONNECTOR PLUG 4H W/G-PLATE 2ROW TYPE	
0 PLC	± -																		
1 PLC	± -																		
2 PLC	± -																		
3 PLC	± -																		
4 PLC	± -																		
ANGLES	± -																		
FINISH 仕上	②																		
MATERIAL 材料 ①		WEIGHT		SIZE A3	CAGE CODE 00779														
CUSTOMER DRAWING		SCALE 尺度 2:1		SHEET 2 OF 3	REV A														

4

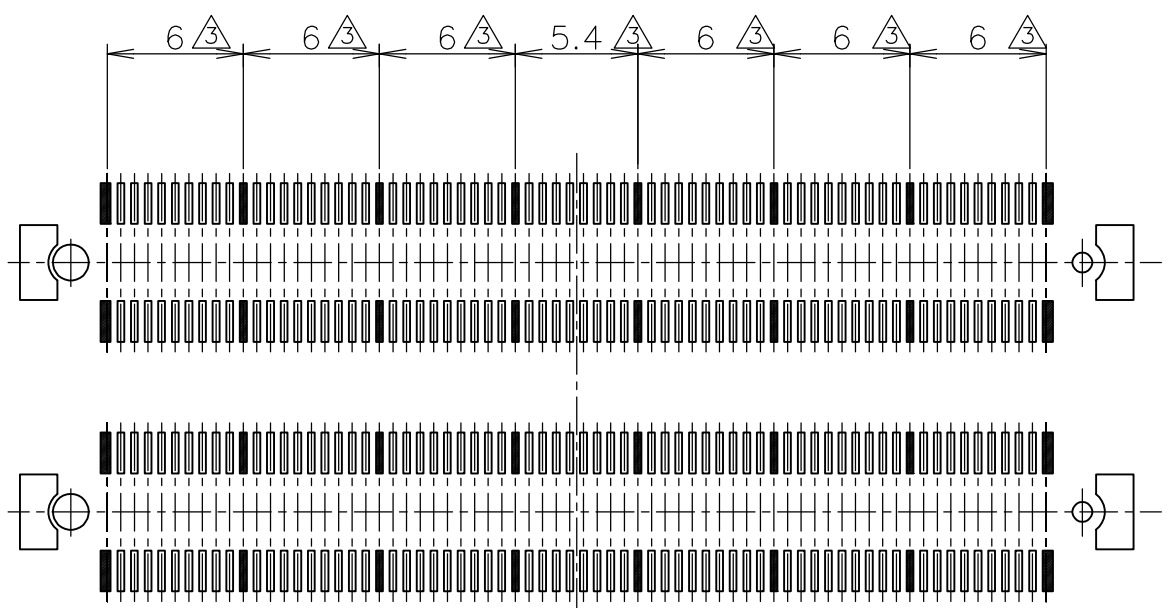
3

2

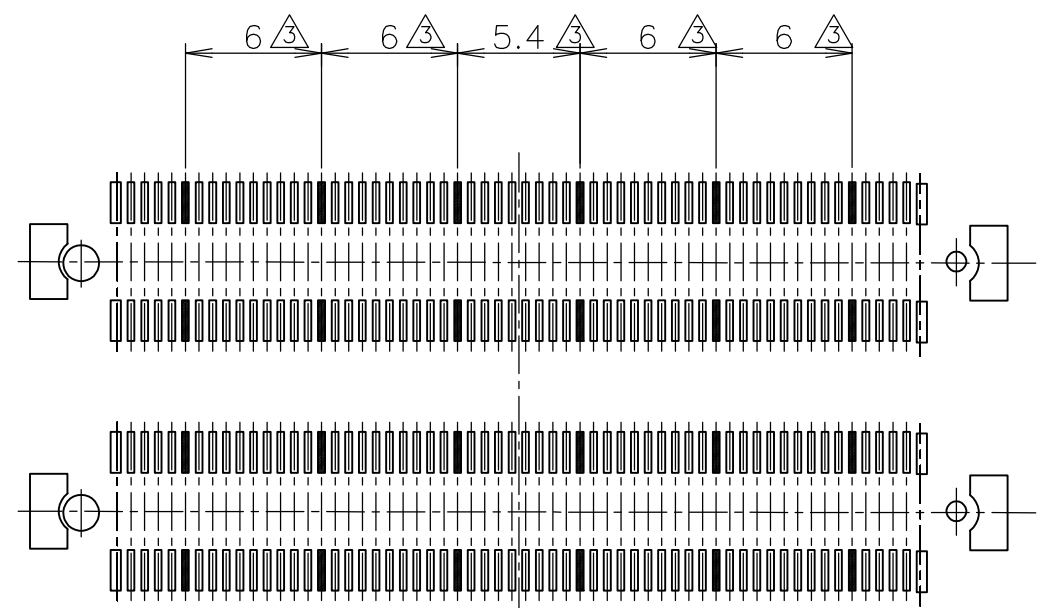
1

THIS DRAWING IS UNPUBLISHED. RELEASED FOR PUBLICATION DEC ,1996.  
 © COPYRIGHT 1996 BY TYCO ELECTRONICS CORPORATION. ALL RIGHTS RESERVED.

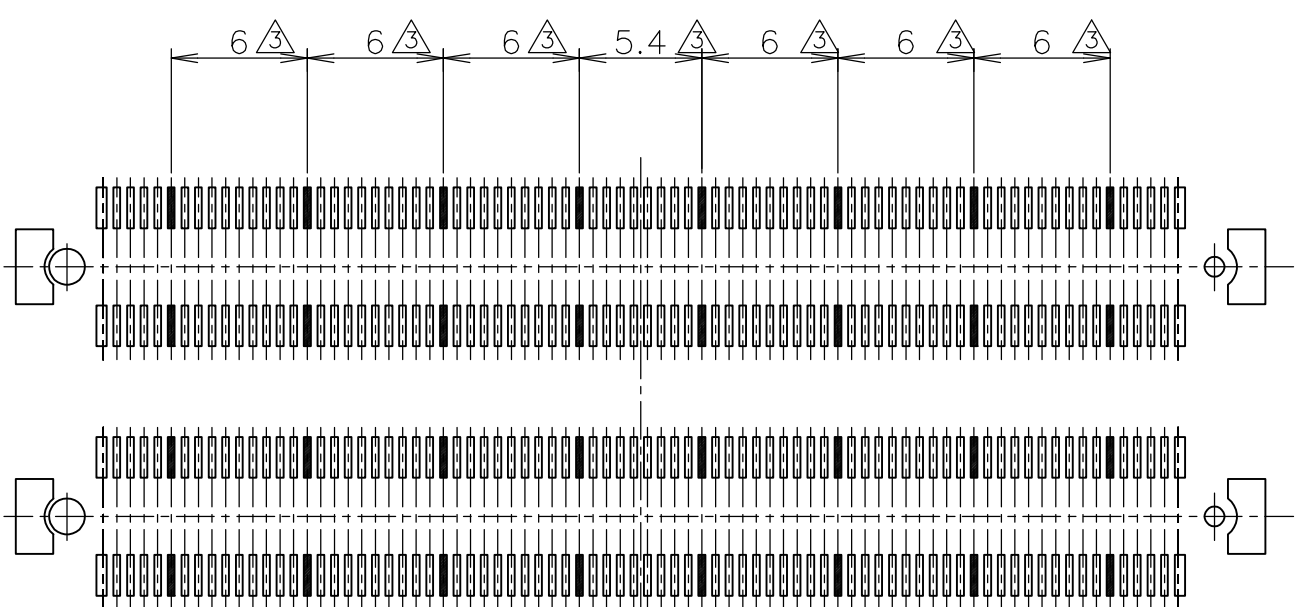
LOC	DIST	REVISIONS		
		P	LTR	DESCRIPTION
J				变更
			—	SEE SHEET 1
				DATE
				DWN
				APVD



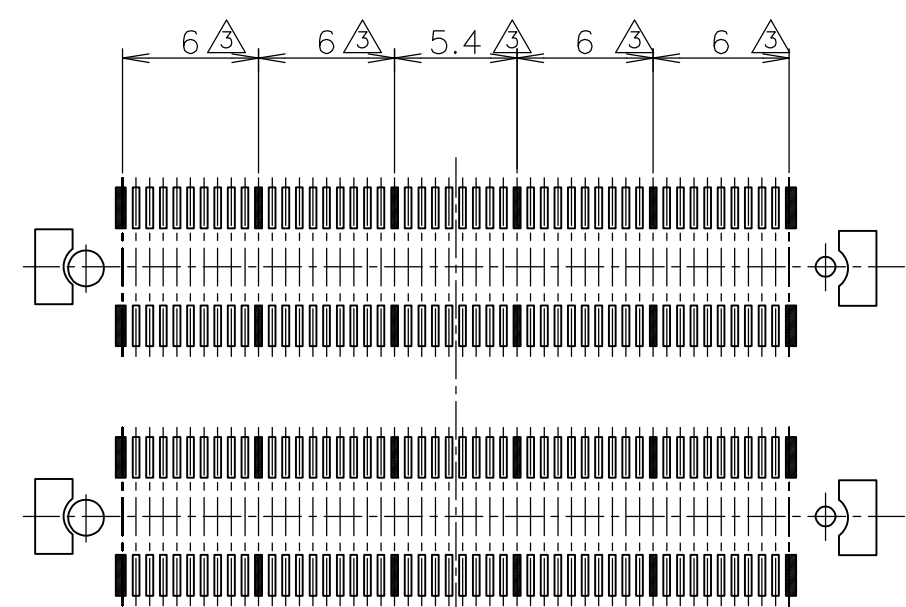
280P



240P



320P



200P

THIS DRAWING IS A CONTROLLED DOCUMENT.		DWN	Tyco Electronics Corporation Kawasaki, Japan	
DIMENSIONS: 单位: 耗 mm	TOLERANCES UNLESS OTHERWISE SPECIFIED: 一般公差	CHK	NAME 名称	
	0 PLC ± -	APVD	SOFT TRAY ASSY	
	1 PLC ± -	PRODUCT SPEC 製品規格	FH 0.6BTB CONNECTOR	
MATERIAL 材料	2 PLC ± -	APPLICATION SPEC 取付適用規格	SIZE	CAGE CODE
	3 PLC ± -	WEIGHT	A3	00779
	4 PLC ± -	DRAWING NO 番号		RESTRICTED TO
	ANGLES ± -	G-5353720		
	FINISH 仕上	CUSTOMER DRAWING		SCALE 尺度 3:1
		SHEET 3 OF 3		REV A

单击下面可查看定价，库存，交付和生命周期等信息

[>>TE Connectivity\(泰科\)](#)