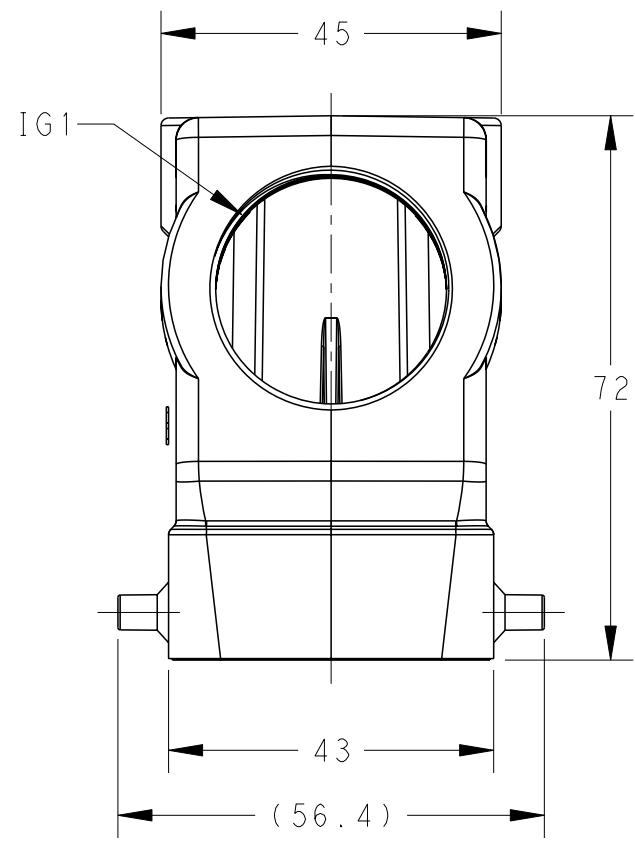
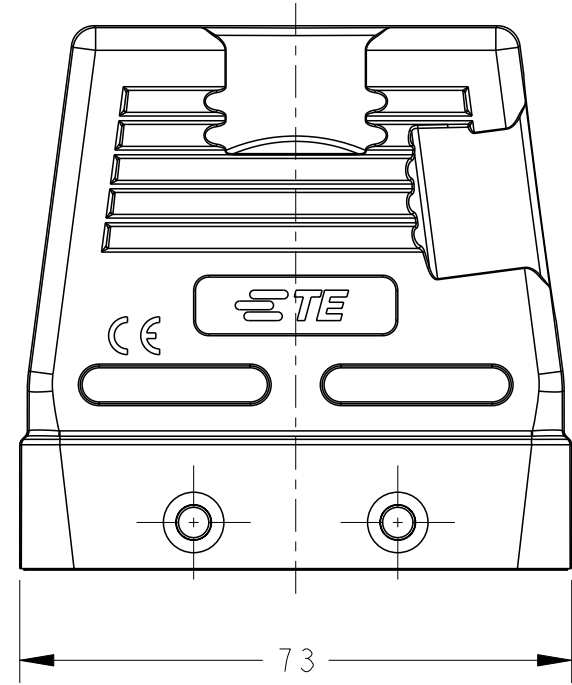


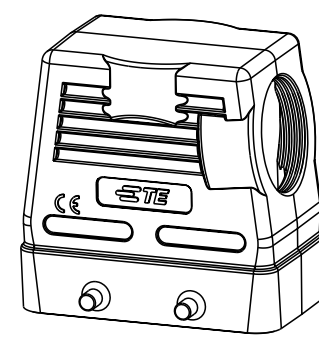
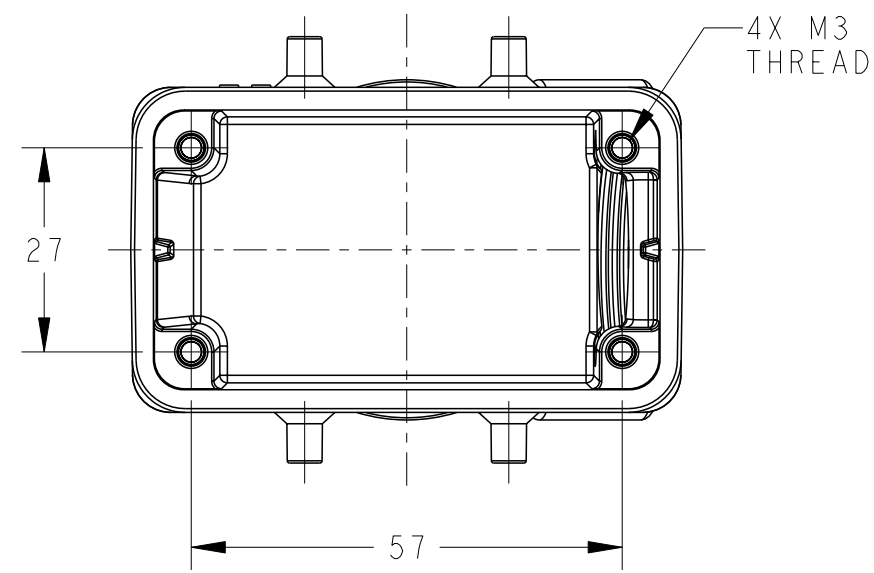
THIS DRAWING IS UNPUBLISHED. RELEASED FOR PUBLICATION 20
 © COPYRIGHT 20 BY - ALL RIGHTS RESERVED.

REVISIONS					
P	LTR	DESCRIPTION	DATE	DWN	APVD
	A	INITIAL	11JUN2015	DW	CW
	B	ECR-20-008181	28JUN2020	WQR	CW
	B1	ECR-21-103925	01JUN2021	WQR	CW



NOTES:
 1. TECHNICAL CHARACTERISTICS:
 HOOD MATERIAL: DIE CAST ALUMINIUM ALLOY
 SURFACE: POWDER COATED, INSIDE AND OUTSIDE
 GREY COATING
 DEGREE OF PROTECTION: IP65 (MATED)

注释:
 1. 技术参数:
 上壳材料: 铝合金
 表面处理: 粉末涂层, 里外喷漆, 灰色
 防护等级: IP65(配合)



SCALE 1:2

T1230100132-100	H10B-TSH-M32 INSIDE AND OUTSIDE COATING	M32
PART NUMBER	DESCRIPTION	IG1

THIS DRAWING IS A CONTROLLED DOCUMENT.		DWN 11JUN2015 David Wang	TE Connectivity	
DIMENSIONS: mm		CHK 11JUN2015 Chris Wang		
TOLERANCES UNLESS OTHERWISE SPECIFIED:		APVD 11JUN2015 Xiang Xu	NAME H10B-TSH-M32 INSIDE AND OUTSIDE COATING	
0 PLC ±- 1 PLC ±- 2 PLC ±- 3 PLC ±- 4 PLC ±- ANGLES ±-		PRODUCT SPEC 108-137013	SIZE CAGE CODE DRAWING NO RESTRICTED TO	
MATERIAL		APPLICATION SPEC 114-137013	A300779 C-T1230100132100	
FINISH		WEIGHT	SCALE 1:1 SHEET 1 OF 1 REV B1	
		Customer Drawing		

printed on 17 Jun 2021 10:16 (China Standard Time) from TE343646

单击下面可查看定价，库存，交付和生命周期等信息

[>>TE Connectivity\(泰科\)](#)