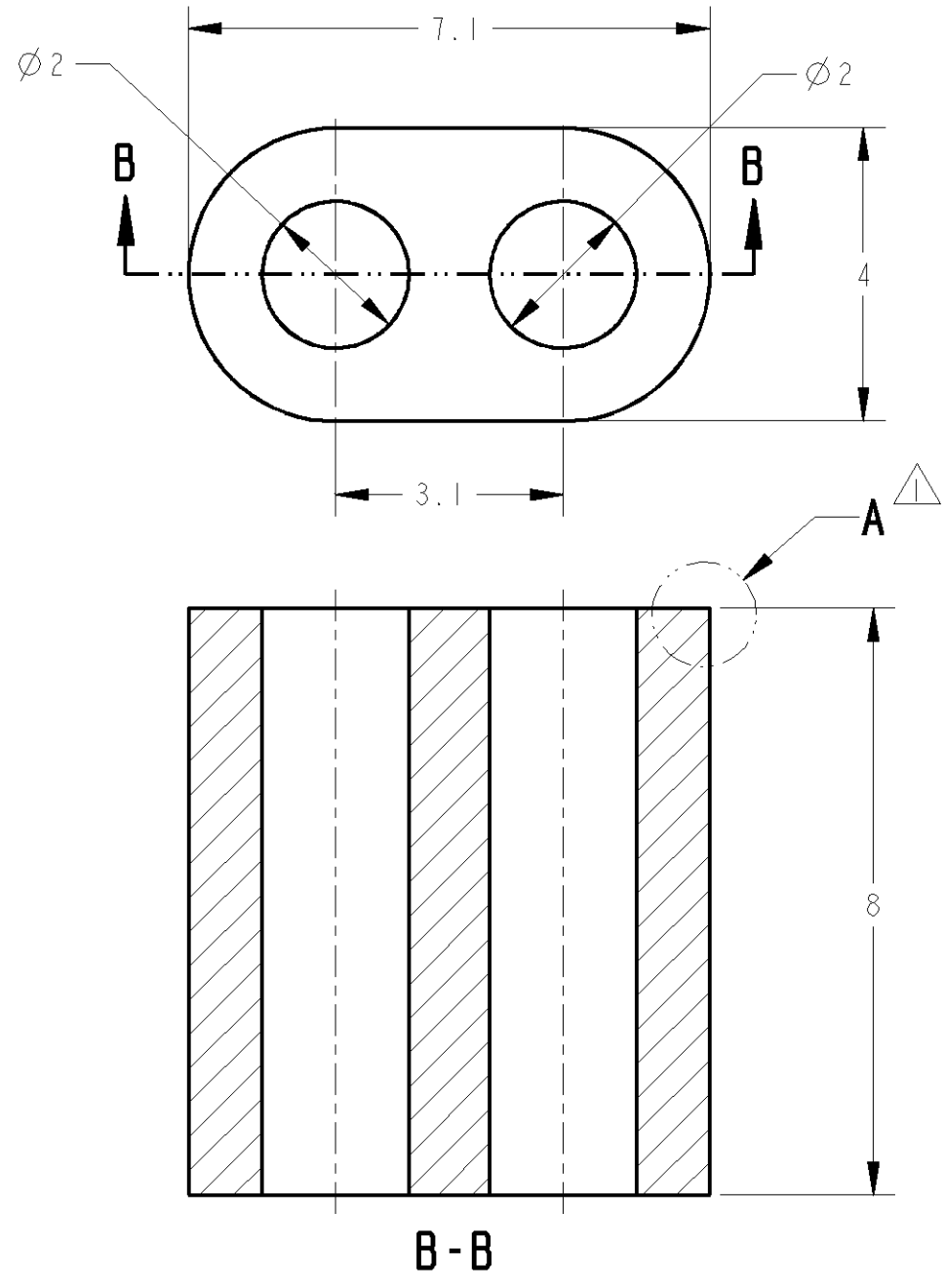
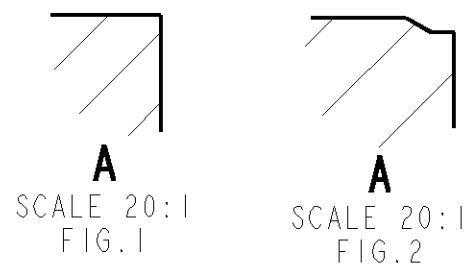


THIS DRAWING IS UNPUBLISHED. RELEASED FOR PUBLICATION 2001  
 © COPYRIGHT 2001 BY TYCO ELECTRONICS CORPORATION. ALL RIGHTS RESERVED.

LOC	DIST	REVISIONS						
		P	LTR	DESCRIPTION	ECN	DATE	DWN	APVD
J	-		A	REDRAWN AND REVISED	FJ00-2060-01	12SEP2001	T.H	N.S
			AI	FJA0-0248-04		15APR2004	NS	NS



△THE FORM OF DETAIL A BECOMES FIG.1 OR FIG.2.  
 2. MANUAL NO.: 411-5785  
 △Aの形状はFIG.1もしくはFIG.2いずれかとなる。  
 2. 取扱説明書: 411-5785



-2; AS SHOWN

<small>THIS DRAWING IS A CONTROLLED DOCUMENT FOR TYCO ELECTRONICS CORPORATION          IT IS SUBJECT TO CHANGE AND THE CONTROLLING ENGINEERING ORGANIZATION          SHOULD BE CONTACTED FOR THE LATEST REVISION.</small>		DWN T. HAYASHI 12SEP2001 CHK N. SAI 12SEP2001 APVD N. SAI 12SEP2001		<b>tyco</b> Tyco Electronics AMP K.K. <b>Electronics</b> Kawasaki, Japan	
DIMENSIONS: 単位: ㎜ mm 		TOLERANCES UNLESS OTHERWISE SPECIFIED: ±0.2 0-PLC ±0.1 1-PLC ±0.1 2-PLC ±0.01 3-PLC ±0.001 4-PLC ±0.0001 ANGLES ±1.00°		PRODUCT SPEC 108-5572 APPLICATION SPEC 取付適用規格 WEIGHT 0.8g	
MATERIAL 材料 FERRITE FINISH 仕上 BLACK		NAME 名称 SQUIB CONNECTOR FERRITE SIZE A3 CAGE CODE 00779 DRAWING NO. 番号 353379 RESTRICTED TO -		CUSTOMER DRAWING SCALE 尺度 8:1 SHEET 1 OF 1 REV AI	

单击下面可查看定价，库存，交付和生命周期等信息

[>>TE Connectivity\(泰科\)](#)