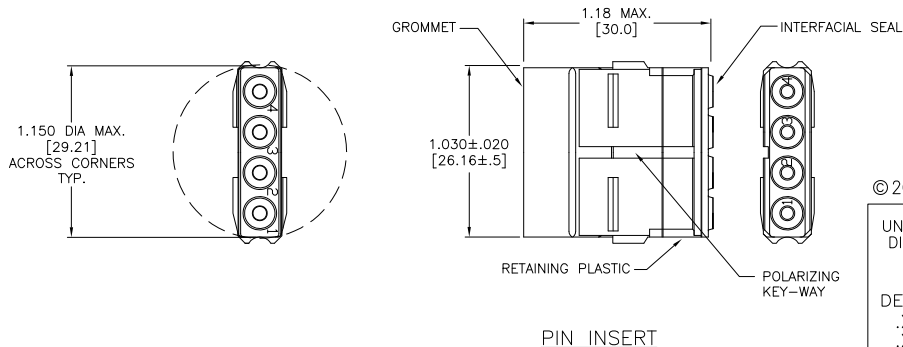
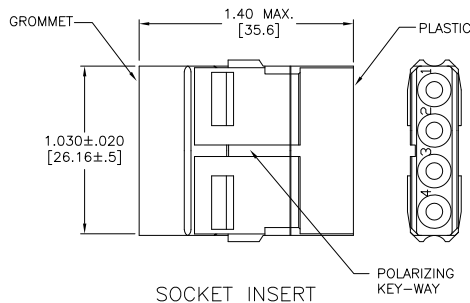
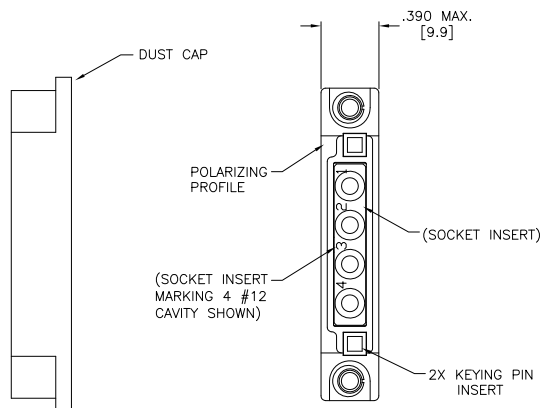
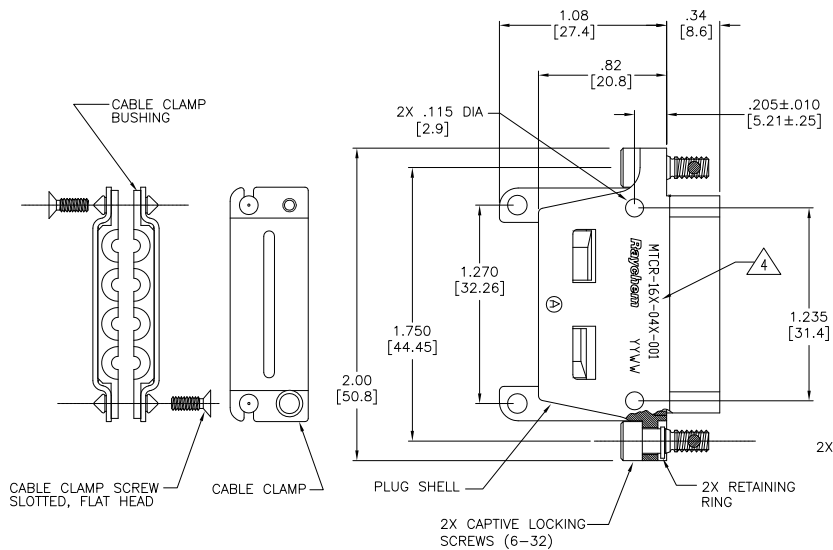


THIS DRAWING AND THE INFORMATION SET FORTH HEREON ARE THE PROPERTY OF TYCO ELECTRONICS, AND ARE TO BE HELD IN TRUST AND CONFIDENCE. PUBLICATION, DUPLICATION, DISCLOSURE, OR USE FOR ANY PURPOSE NOT EXPRESSLY AUTHORIZED IN WRITING BY TYCO ELECTRONICS IS PROHIBITED.

REVISIONS			
LTR	DESCRIPTION	DATE	APPROVED
B	REV A SKIPPED TO MATCH PRODUCTION REV B PER ECO-11-016179	Aug/8/2011	M.HIGGY



NOTES:

- CONNECTORS DESCRIBED HEREON ARE DESIGNED TO MEET THE REQUIREMENTS OF TYCO/RAYCHEM SPECIFICATION D-6007.
- FOR MOUNTING, MATING AND KEYING INFORMATION REFER TO TYCO/RAYCHEM SPECIFICATION CONTROL DRAWING D-652-0004.
- FOR APPLICABLE CONTACTS, TOOLS AND WIRE SEALING DETAILS REFER TO TYCO/RAYCHEM SPECIFICATION DRAWING D-652-0004.
- TYCO/RAYCHEM, PART NUMBER AND DATE CODE ARE STAMPED APPROXIMATELY AS SHOWN.
- FOR INSERTS INSTALLATION PROCEDURE, REFER TO TYCO/RAYCHEM SPECIFICATION DRAWING D-659-0033.

6. PART NUMBER:
MTCR-16X-04X-001

-001 = LOOSE INSERT (UN-ASSEMBLED)

P = PIN INSERT
S = SOCKET INSERT

1 = NICKEL PLATED PER SEA AMS-C-26074.

3 = CADMIUM PLATED PER SEA-AMS-QQ-P-416 OVER NICKEL UNDERPLATE

If this document is printed it becomes uncontrolled. Check for the latest revision

© 2011 Tyco Electronics. All rights reserved.

Raychem MTC
CUSTOMER DRAWING

UNLESS OTHERWISE SPECIFIED DIMENSIONS ARE IN INCHES. METRIC DIMENSIONS ARE IN BRACKETS.	DRAWN	ZS.DRBAN	Aug/2/2011	TE Connectivity
	CHECKED			
APPROVED	M.HIGGY	Aug/2/2011	TITLE	
APPROVED			1 INCH CONNECTOR, PLUG, RECTANGULAR ENVIRONMENTAL, LOOSE PIN OR SOCKET INSERT	
DECIMALS	.XXX ± .005	[.13mm]		MTCR SERIES
ANGLES	.XX ± .02	[.5mm]		
.X ±				
WEIGHT:				
	CAD NAME	MTCR-16X-04X-001		
	THIRD ANGLE PROJECTION			
	SIZE	C	CAGE CODE: 06090	DWG. NO. MTCR-16X-04X-001
				REV B
	SCALE: NONE			SHEET 1 OF 1

MTCR-16X-04X-001

单击下面可查看定价，库存，交付和生命周期等信息

[>>TE Connectivity\(泰科\)](#)