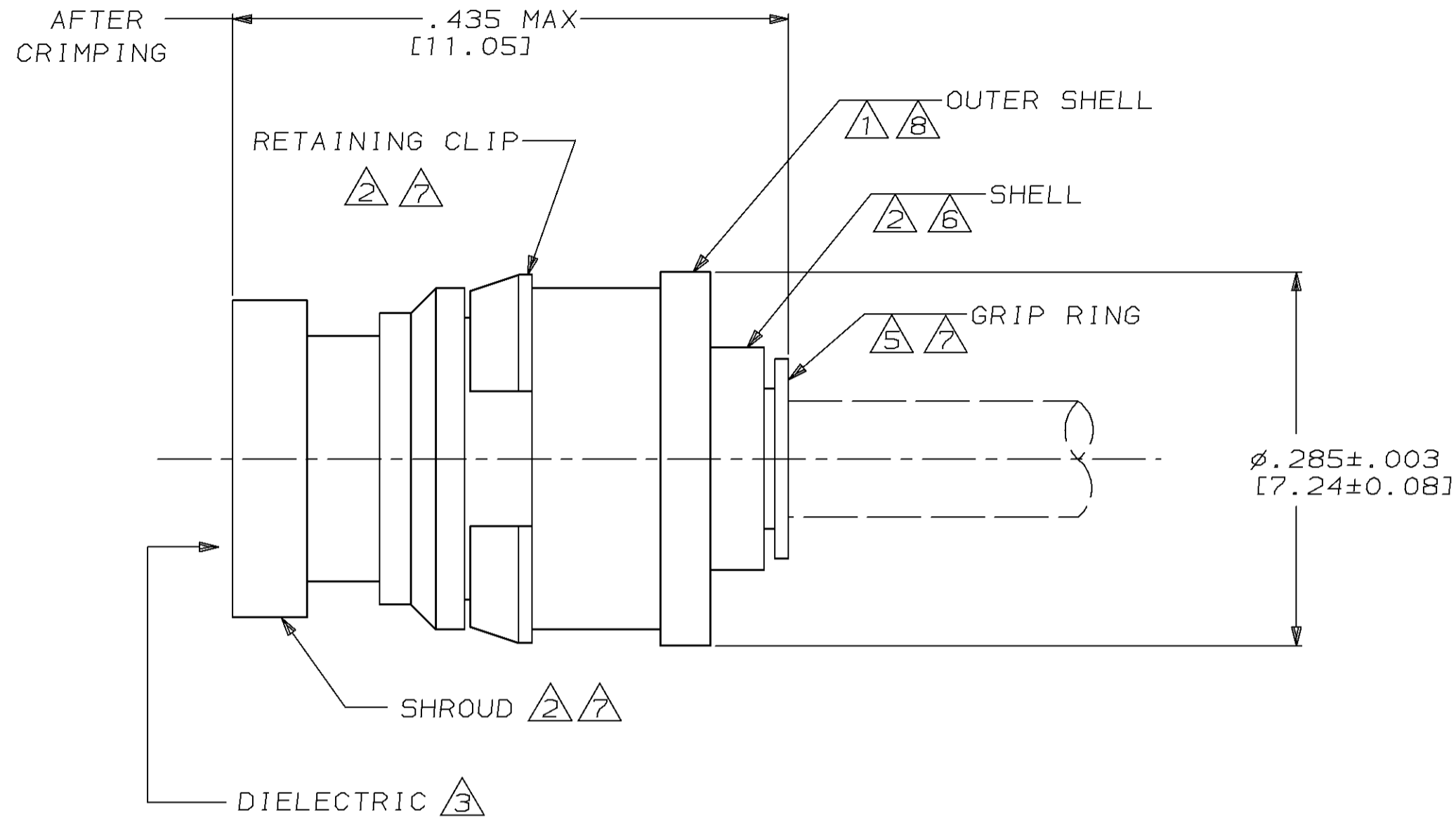
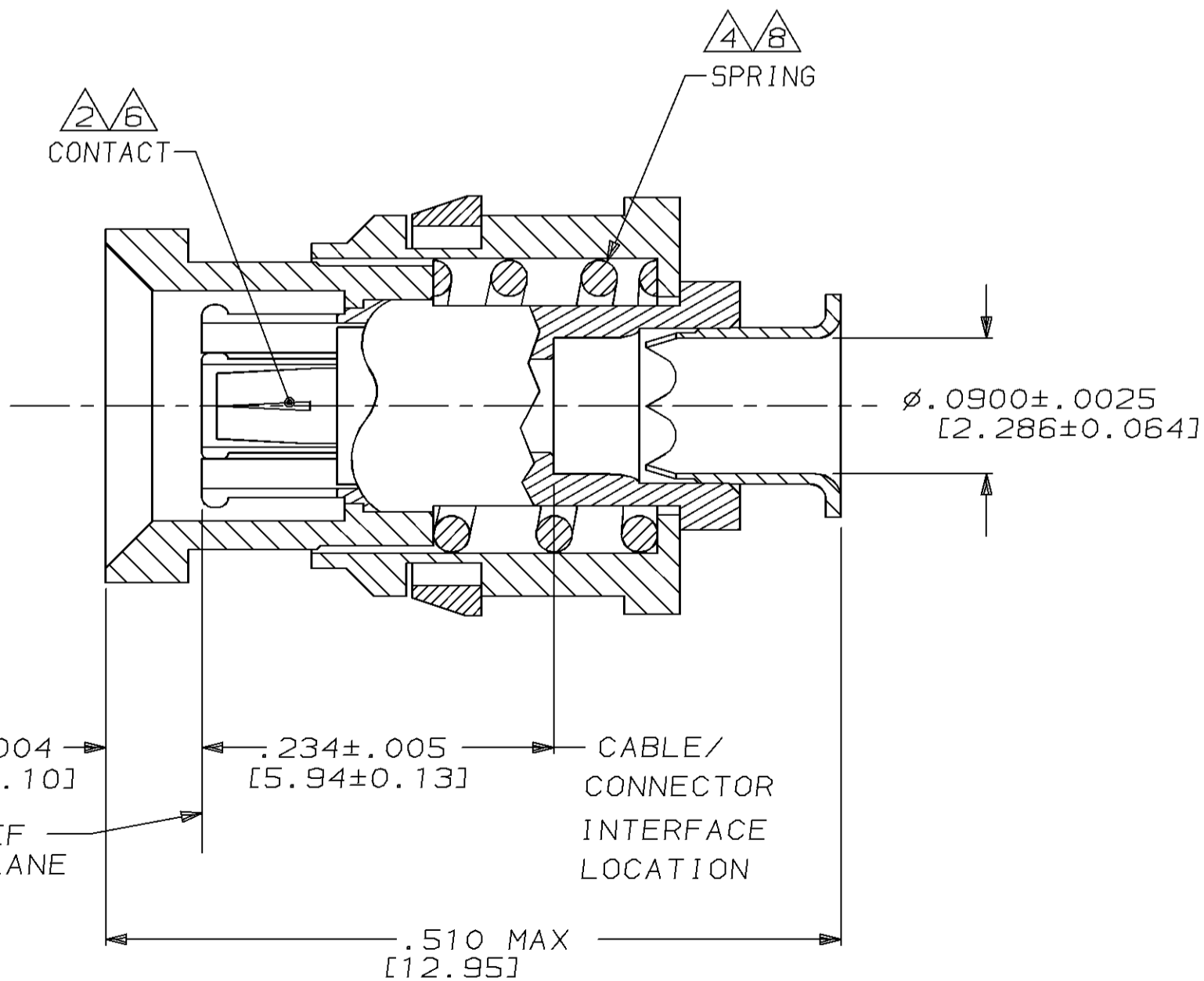
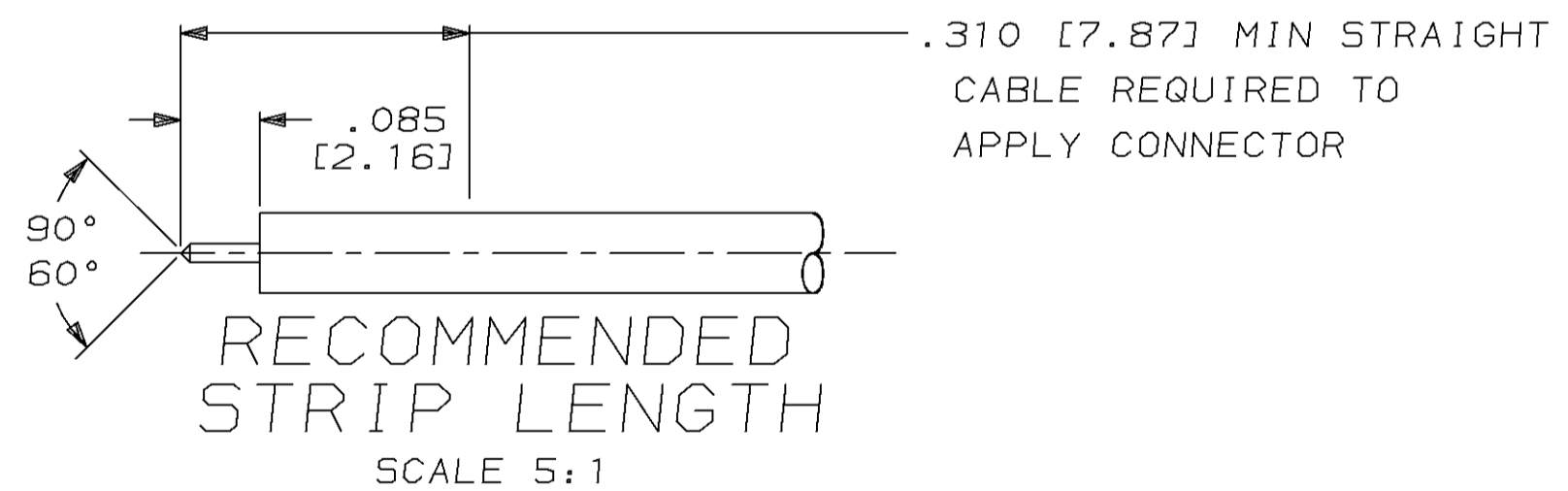
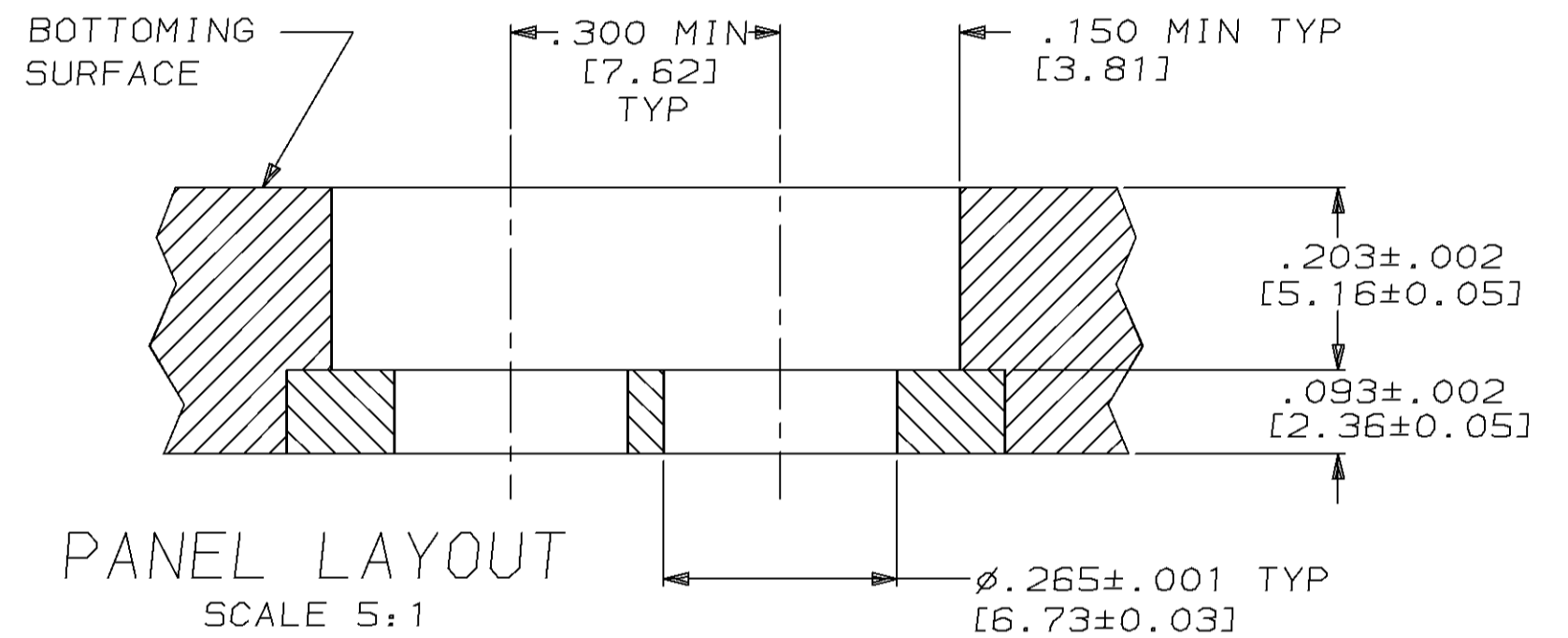


THIS DRAWING IS UNPUBLISHED. RELEASED FOR PUBLICATION
 BY AMP INCORPORATED. ALL RIGHTS RESERVED.

PROD CODE	LOC	DIST	REVISIONS					
			P	LTR	DESCRIPTION	DATE	DWN	APVD
3573	DF	XO	A		REV & REDRAWN; 0600-2891-94	2-94	CCT	LL



- ① STAINLESS STEEL PER QQ-S-763
- ② BERYLLIUM COPPER PER QQ-C-530
- ③ PTFE PER MIL-P-19468
- ④ STAINLESS STEEL PER ASTM-A-313.
- ⑤ BRASS PER MIL-C-50
- ⑥ GOLD PL PER MIL-G-45204
- ⑦ NICKEL PL PER QQ-N-290
- ⑧ PASSIVATION PER QQ-P-35
- ⑨ FOR USE WITH RG-405 SEMI-RIGID CABLE
- 10. FLOAT: .006 [0.15] RADIAL. .045 [1.14] AXIAL.



413012-1
PART NO.

<small>THIS DRAWING IS A CONTROLLED DOCUMENT FOR AMP INCORPORATED. IT IS SUBJECT TO CHANGE AND THE CONTROLLING ENGINEERING ORGANIZATION SHOULD BE CONTACTED FOR THE LATEST REVISION.</small>		DWN C.C. THOMAS 2-8-95 CHK L.L.E 2-17-95 APVD L.L.E 2-17-95	AMP AMP Incorporated Harrisburg, PA 17105-3608
DIMENSIONS: INCHES [mm]	TOLERANCES UNLESS OTHERWISE SPECIFIED: 0 PLC ±- 1 PLC ±- 2 PLC ±- 3 PLC ±- 4 PLC ±- ANGLES ±- FINISH SEE TABLE	PRODUCT SPEC - APPLICATION SPEC - WEIGHT -	NAME PLUG, FLOATING, BLINDMATE, 2.8mm SIZE A2 CAGE CODE 00779 DRAWING NO. 413012
MATERIAL SEE TABLE	SEE TABLE	CUSTOMER DRAWING	SCALE 10:1 SHEET 1 OF 1 REV A

单击下面可查看定价，库存，交付和生命周期等信息

[>>TE Connectivity\(泰科\)](#)