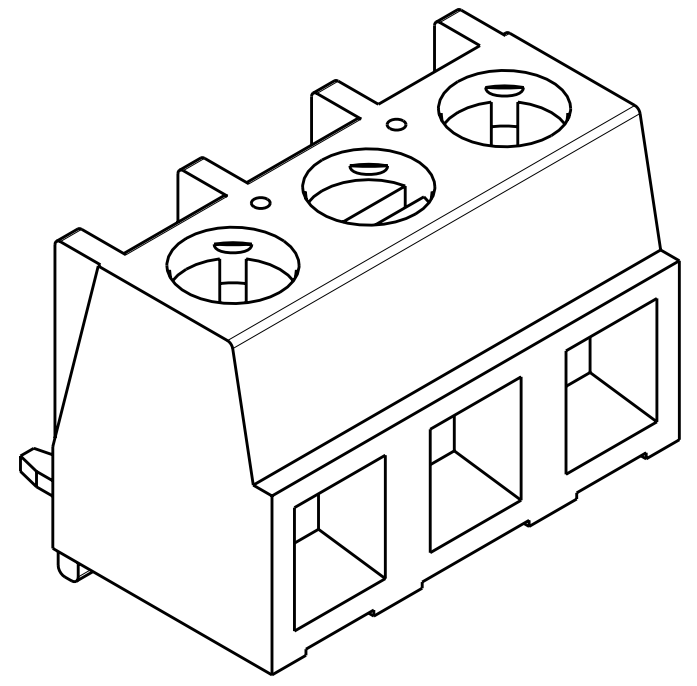
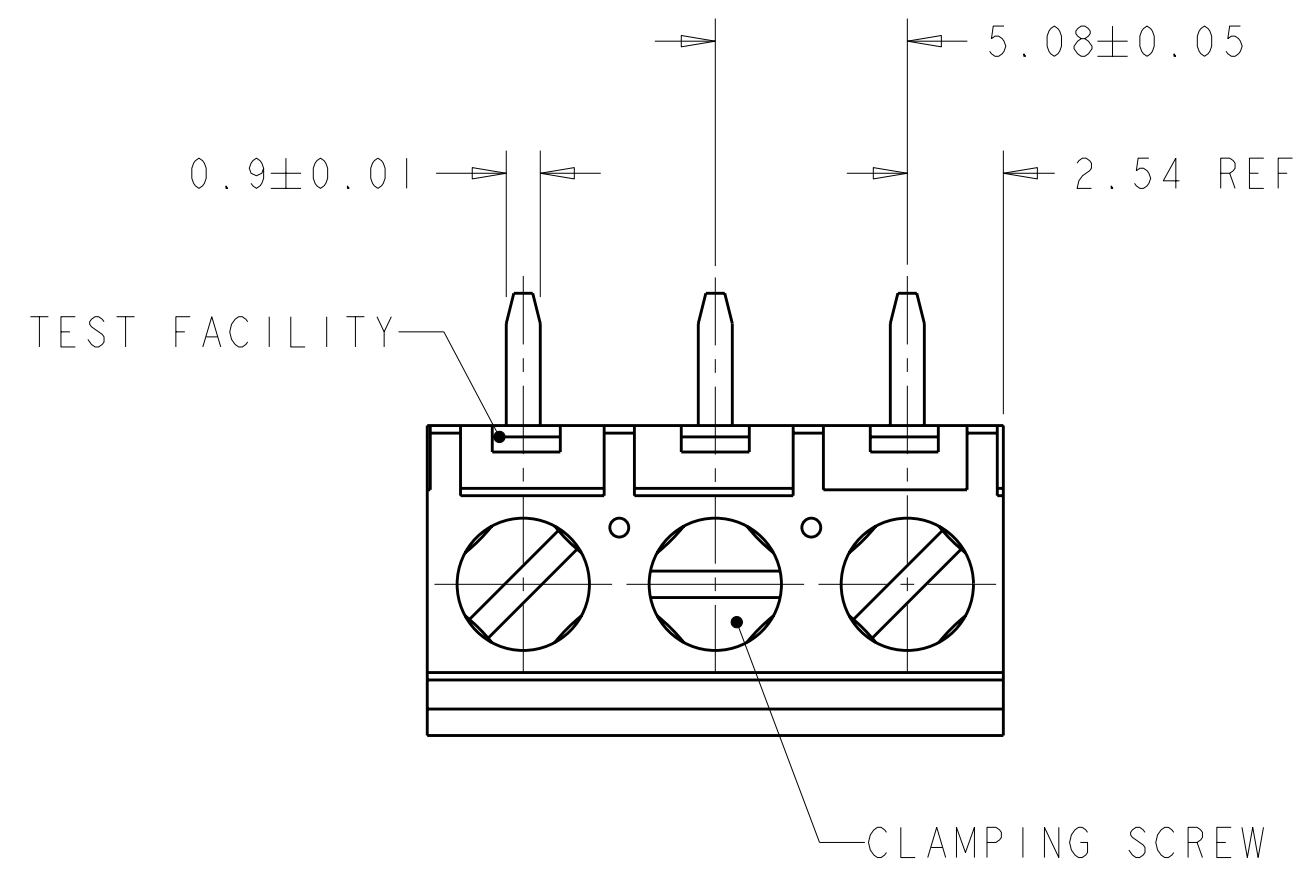


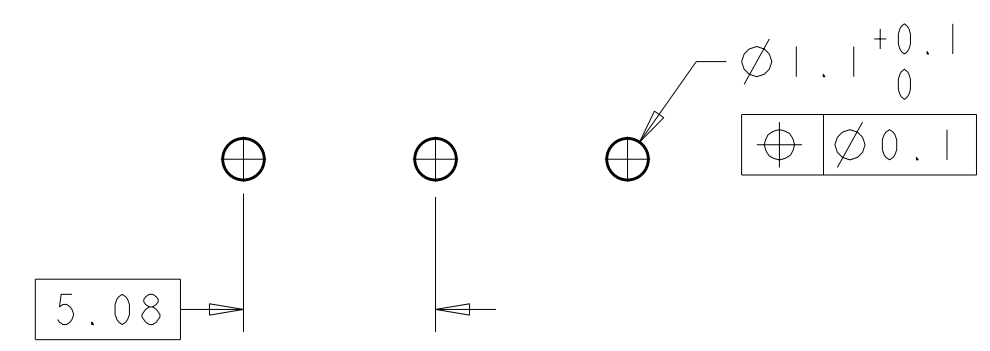
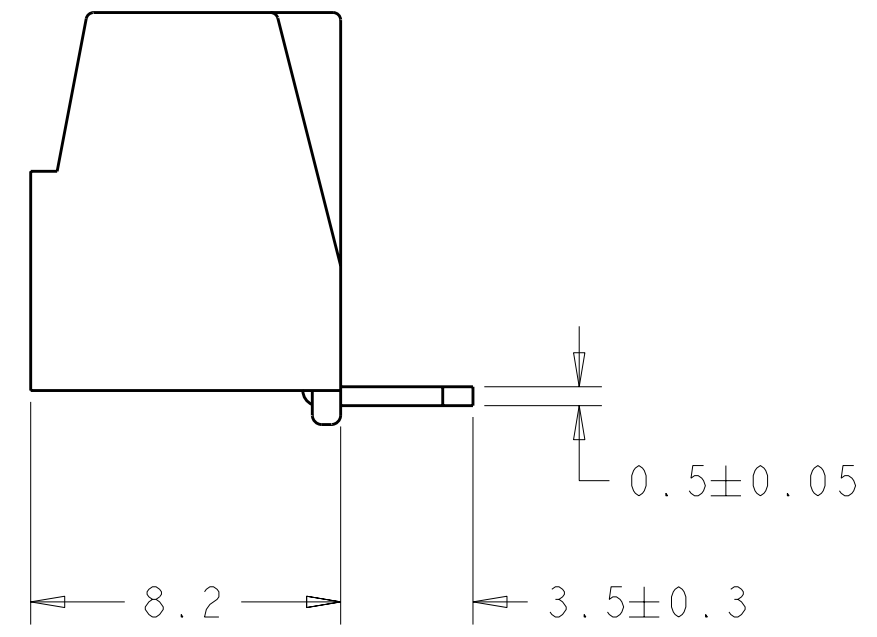
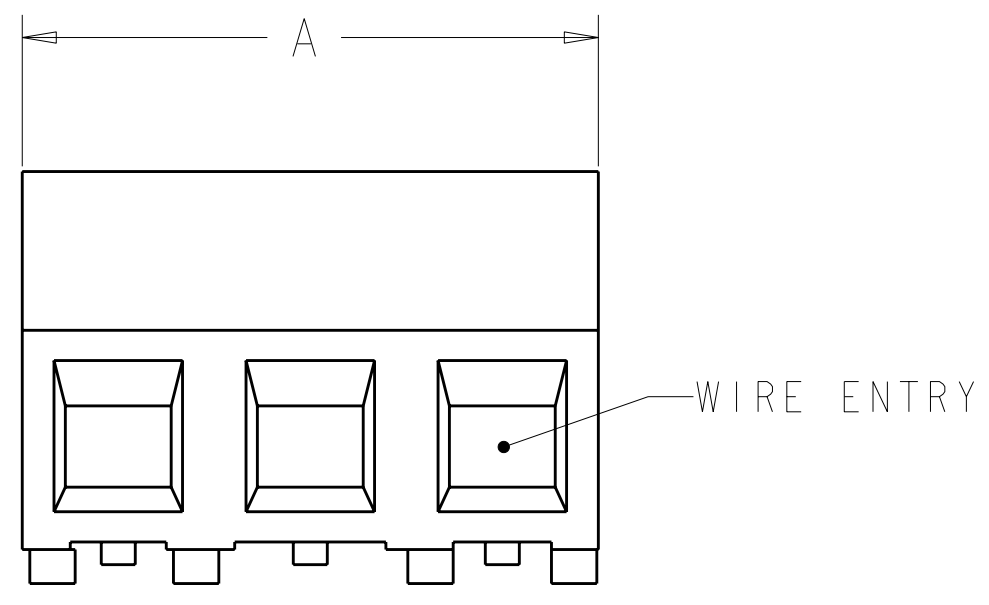
THIS DRAWING IS UNPUBLISHED. RELEASED FOR PUBLICATION 20
 © COPYRIGHT 20 BY TYCO ELECTRONICS CORPORATION. ALL RIGHTS RESERVED.

LOC		DIST		REVISIONS			
P	LTR	DESCRIPTION	DATE	DWN	APVD		
	0	RELEASED EC 063B-0612-04	09JUN2005	SW	CR		
	01	REVISED ECO-06-022416	26SEP2006	SW	CR		



1776121-3 AS SHOWN

- ⚠ MATERIAL AND FINISH
 HOUSING: STANYL TE250F6, UL 94V-0 RATED, COLOR: BLACK.
 CLAMP: BRASS, NICKEL PLATED.
 TERMINAL: BRASS, TIN PLATED.
 CLAMPING SCREW: M3, BRASS, NICKEL PLATED.
- SUITABLE FOR 1.6-2.4mm PC BOARD THICKNESS.
 - END-TO-END STACKABLE W/INTERLOCK WITHOUT LOSS OF CENTERLINE SPACJING.
 - WIRE SIZE RANGE: 15-17 AWG.



RECOMMENDED PC BOARD LAYOUT

40.64	8	1776121-8
35.56	7	1776121-7
30.48	6	1776121-6
25.40	5	1776121-5
20.32	4	1776121-4
15.24	3	1776121-3
10.16	2	1776121-2
A	NO OF POSN	PART NUMBER

THIS DRAWING IS A CONTROLLED DOCUMENT FOR TYCO ELECTRONICS CORPORATION. IT IS SUBJECT TO CHANGE AND THE CONTROLLING ENGINEERING ORGANIZATION SHOULD BE CONTACTED FOR THE LATEST REVISION.		DWN S. WELDON 09JUN2005	Tyco Electronics Harrisburg, PA 17105-3608	
DIMENSIONS: mm		CHK C. RICHARD 09JUN2005	NAME TERMINAL BLOCK ASSEMBLY, PCB MOUNT, TOP WIRE ENTRY, STACKING, W/INTERLOCK, 5.08mm PITCH	
TOLERANCES UNLESS OTHERWISE SPECIFIED: 0 PLC ± 1 PLC ±0.2 2 PLC ±0.25 3 PLC ±0.000 4 PLC ±0.000 ANGLES ± FINISH		APVD C. RICHARD 09JUN2005	RESTRICTED TO	
MATERIAL		PRODUCT SPEC	SIZE A200779	CAGE CODE C-1776121
CUSTOMER DRAWING		APPLICATION SPEC	DRAWING NO	SCALE 5:1
		WEIGHT	SHEET	OF
			REV	01

单击下面可查看定价，库存，交付和生命周期等信息

[>>TE Connectivity\(泰科\)](#)