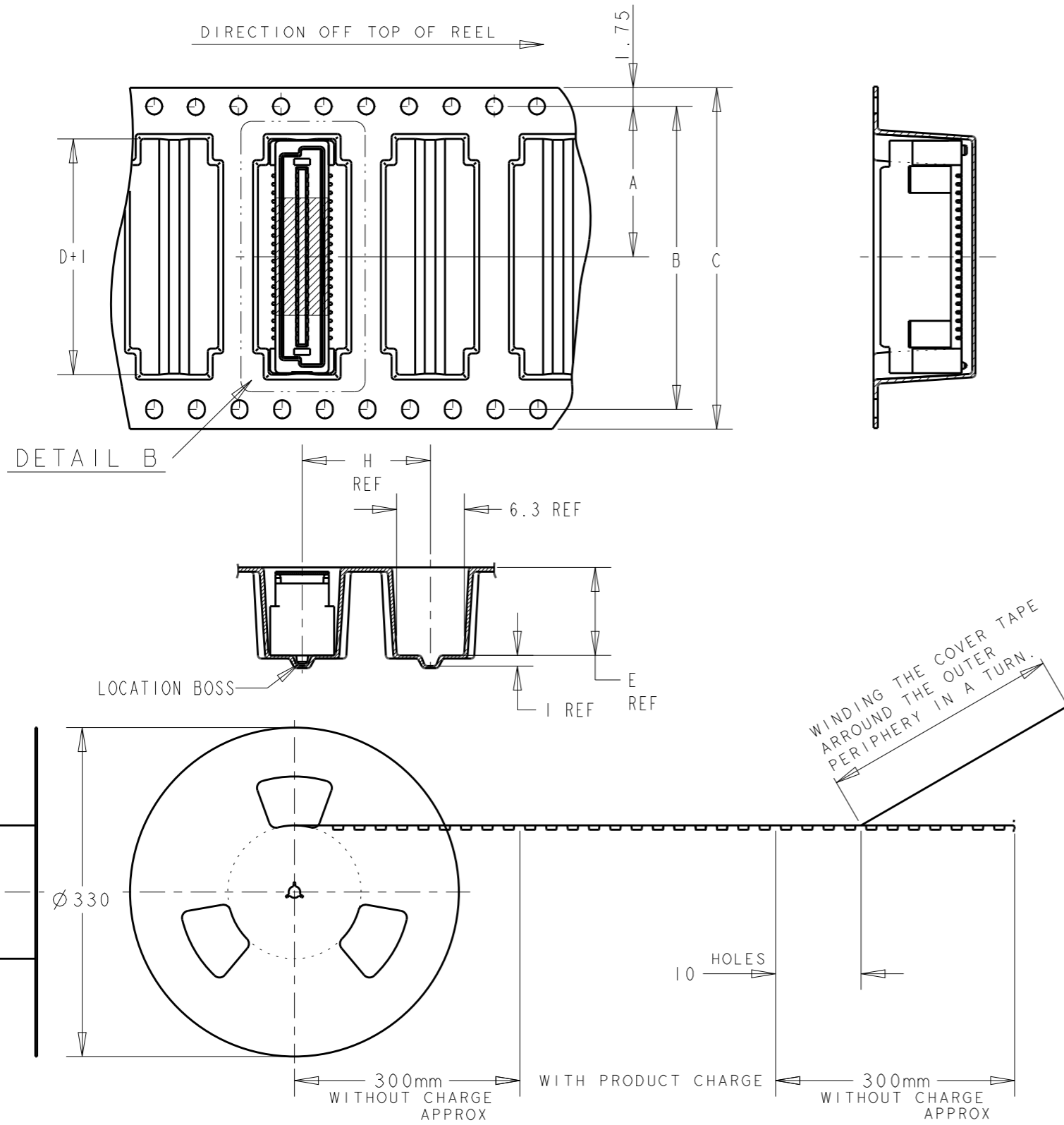


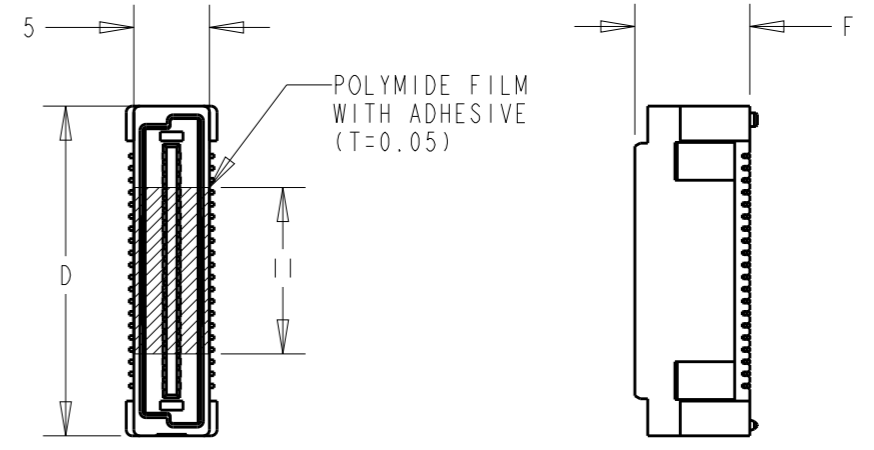
THIS DRAWING IS UNPUBLISHED. RELEASED FOR PUBLICATION
 © COPYRIGHT BY TYCO ELECTRONICS CORPORATION. ALL RIGHTS RESERVED.

LOC	DIST	REVISIONS					
DY	-	P	LTR	DESCRIPTION	DATE	DWN	APVD
		A		REVISED PER ECO-17-018857	13DEC2017	R. L	H. L



NOTES:

- 1 MATERIAL:
HOUSING: HIGH TEMP THERMOPLASTICS UL94-V0
CONTACTS: COPPER ALLOY
- 2 FINISH:
UNDERPLATE: 1.3um MIN NICKEL
MATING AREA: 0.20um MIN Au
SOLDERTAIL: 2.0um MIN Sn



08Au/Sn	NOT AVAILABLE						85.8	104	100.4	50.2	200	1-	-0
							77.8	104	100.4	50.2	180		-9
							69.8	88	84.4	42.2	160		-8
							61.8	88	84.4	42.2	140		-6
	AVAILABLE						53.8	72	68.4	34.2	120		-5
		400					45.8	72	68.4	34.2	100		-4
NOT AVAILABLE						37.8	56	52.4	26.2	80		-3	
						29.8	44	40.4	20.2	60		-2	
AVAILABLE	600	8H	12	7.6	8.25	21.8	32	28.4	14.2	40	1735434-1		
REMARKS	TOOLING STATUS	QTY	HEIGHT TYPE	H	F	E	D	C	B	A	POS	PART NO.	

THIS DRAWING IS A CONTROLLED DOCUMENT FOR TYCO ELECTRONICS CORPORATION IT IS SUBJECT TO CHANGE AND THE CONTROLLING ENGINEERING ORGANIZATION SHOULD BE CONTACTED FOR THE LATEST REVISION.

DIMENSIONS:	TOLERANCES UNLESS OTHERWISE SPECIFIED:
mm	
	0 PLC ±.0
	1 PLC ±0.3
	2 PLC ±0.25
	3 PLC ±.
	4 PLC ±.
	ANGLES ±3°
MATERIAL	FINISH
1	2

DWN WYLEE 18MAY2007
 CHK YJ SEE
 APVD SE LEONG
 PRODUCT SPEC 108-5390
 APPLICATION SPEC 114-5254
 WEIGHT -

Tyco Electronics Tyco Electronics Singapore Pte. Ltd.

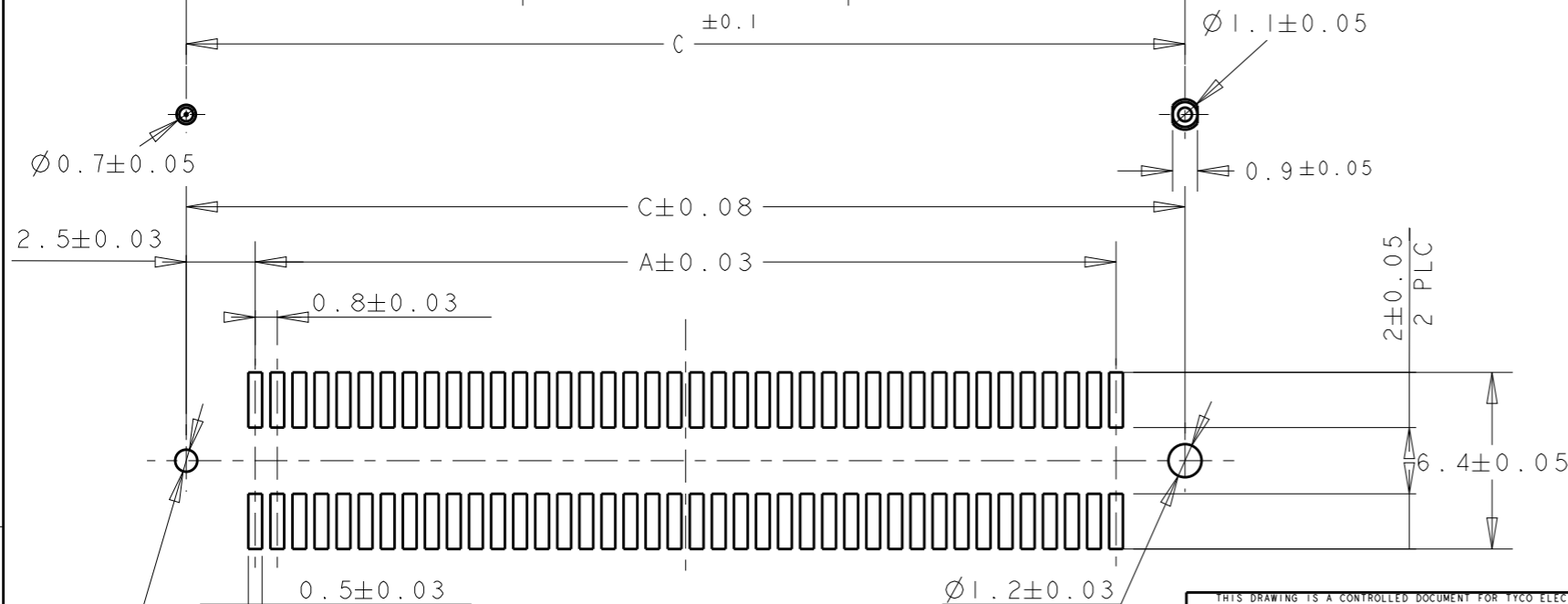
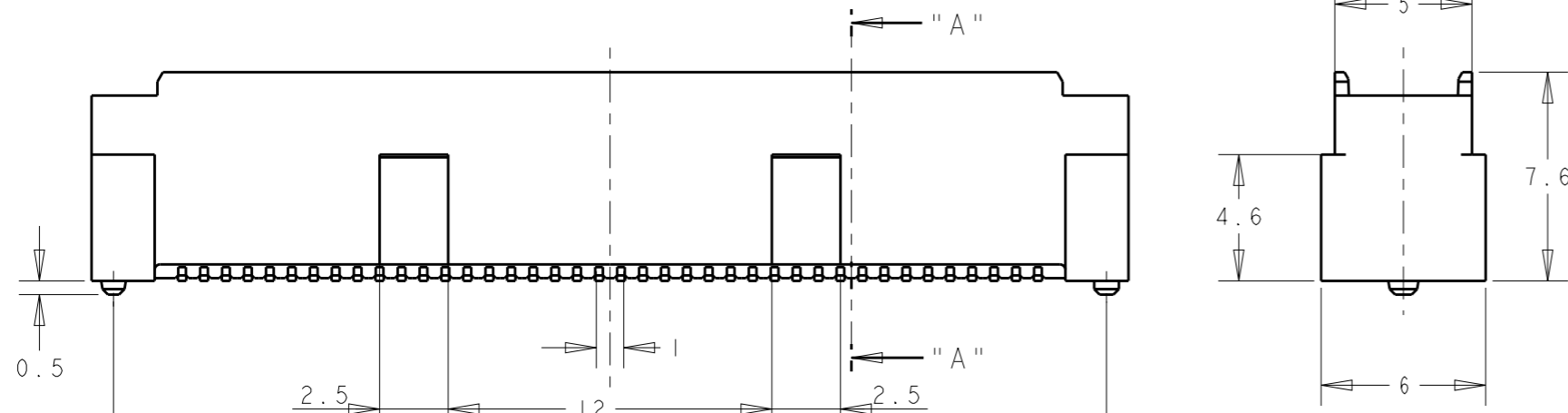
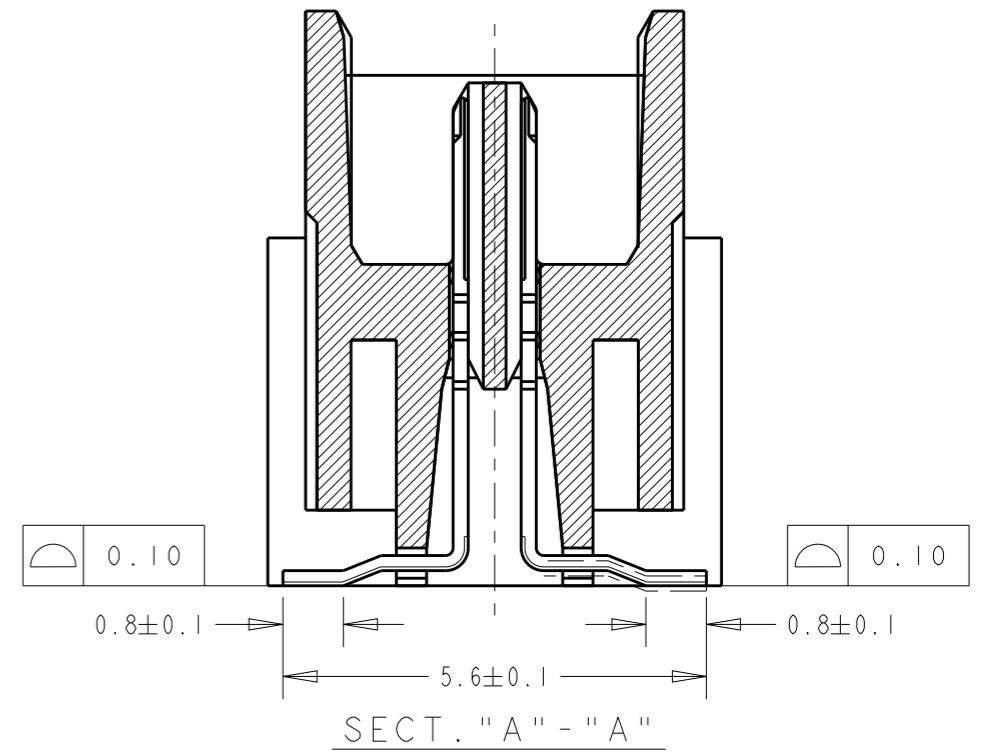
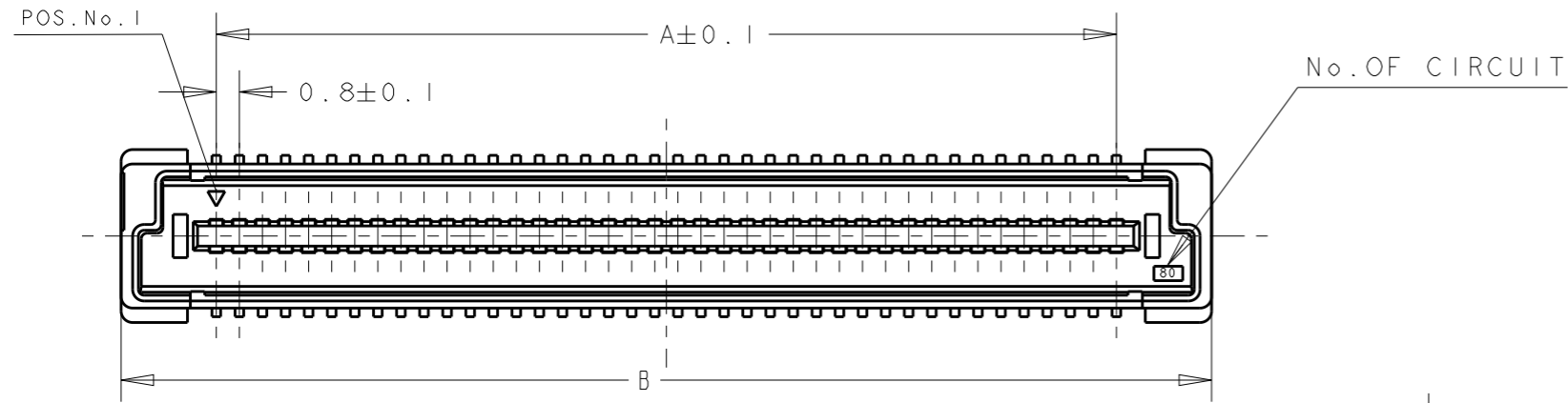
NAME: PLUG ASSY FOR 0.8 FH BTB CONN. 8mm HEIGHT (0.5mm BOSS LENGTH), ON EMBOSS TAPING WITH POLYIMIDE FILM, LF

SIZE	CAGE CODE	DRAWING NO	RESTRICTED TO
A3	00779	1735434	

CUSTOMER DRAWING SCALE 2:1 SHEET 1 OF 2 REV A

(A) ADD CONNECTOR INFORMATION

LOC DY	DIST -	REVISIONS			
P	LTR	DESCRIPTION	DATE	DWN	APVD
		SEE SHEET 1			



84.2	85.8	79.2	200	1-	-0
76.2	77.8	71.2	180		-9
68.2	69.8	63.2	160		-8
60.2	61.8	55.2	140		-6
52.2	53.8	47.2	120		-5
44.2	45.8	39.2	100		-4
36.2	37.8	31.2	80		-3
28.2	29.8	23.2	60		-2
20.2	21.8	15.2	40		1735434-1
C	B	A	POS.	CONN P/N	

RECOMMENDED P.C. BOARD LAYOUT

NOTES:

- 1 MATERIAL:
HOUSING: L.C.P(HIGH TEMP THERMO PLASTIC)
UL 94V-0, NATURAL.
CONTACT: BRASS.
- 2 FINISH:
CONTACT AREA: 0.0002 MIN GOLD
SOLDERING AREA: 0.0020 MIN MATTE-TIN
UNDERPLATE: 0.0013 MIN NICKEL ALL OVER

THIS DRAWING IS A CONTROLLED DOCUMENT FOR TYCO ELECTRONICS CORPORATION
IT IS SUBJECT TO CHANGE AND THE CONTROLLING ENGINEERING ORGANIZATION
SHOULD BE CONTACTED FOR THE LATEST REVISION.

DIMENSIONS: mm	TOLERANCES UNLESS OTHERWISE SPECIFIED:
	0 PLC ±.
	1 PLC ±0.3
	2 PLC ±0.25
	3 PLC ±.
	4 PLC ±.
	ANGLES ±3°
MATERIAL	FINISH

DWN WYLEE	18MAY2007
CHK YJ SEE	
APVD SEIFONG	
PRODUCT SPEC 108-5390	
APPLICATION SPEC 114-5254	
WEIGHT -	
CUSTOMER DRAWING	

		Tyco Electronics Singapore Pte. Ltd.	
NAME PLUG ASSY FOR 0.8 FH BTB CONN. 8mm HEIGHT (0.5mm BOSS LENGTH), ON EMBOSS TAPING WITH POLYIMIDE FILM, LF			
SIZE A3	CAGE CODE 00779	DRAWING NO G- 1735434	RESTRICTED TO
SCALE 2:1		SHEET 2 OF 2	REV A

单击下面可查看定价，库存，交付和生命周期等信息

[>>TE Connectivity\(泰科\)](#)