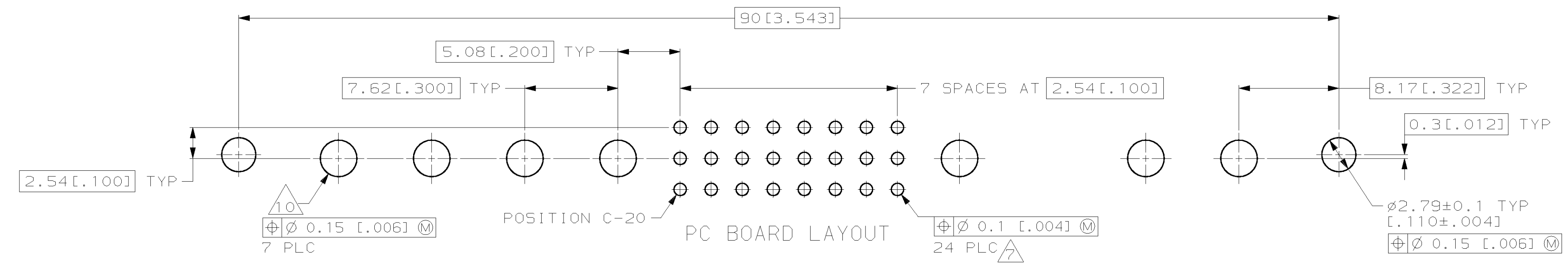
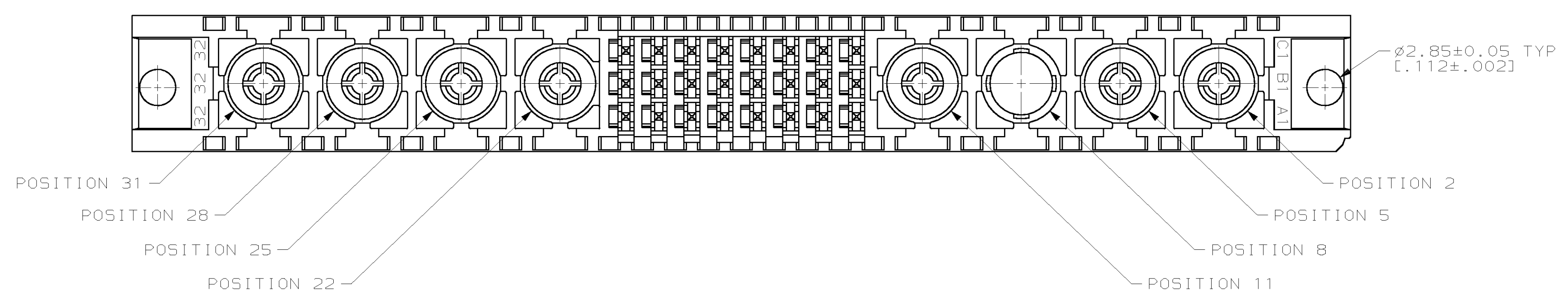
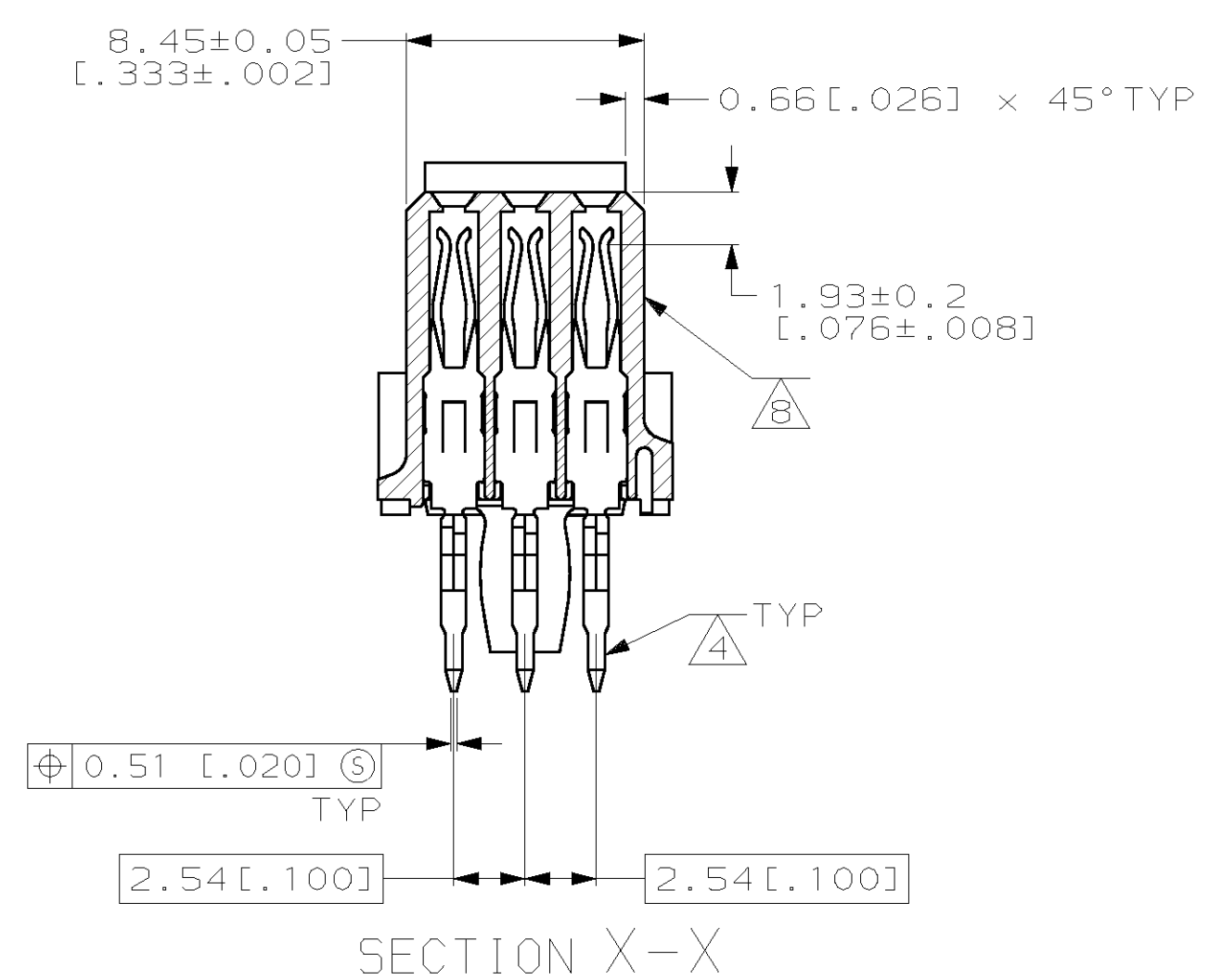
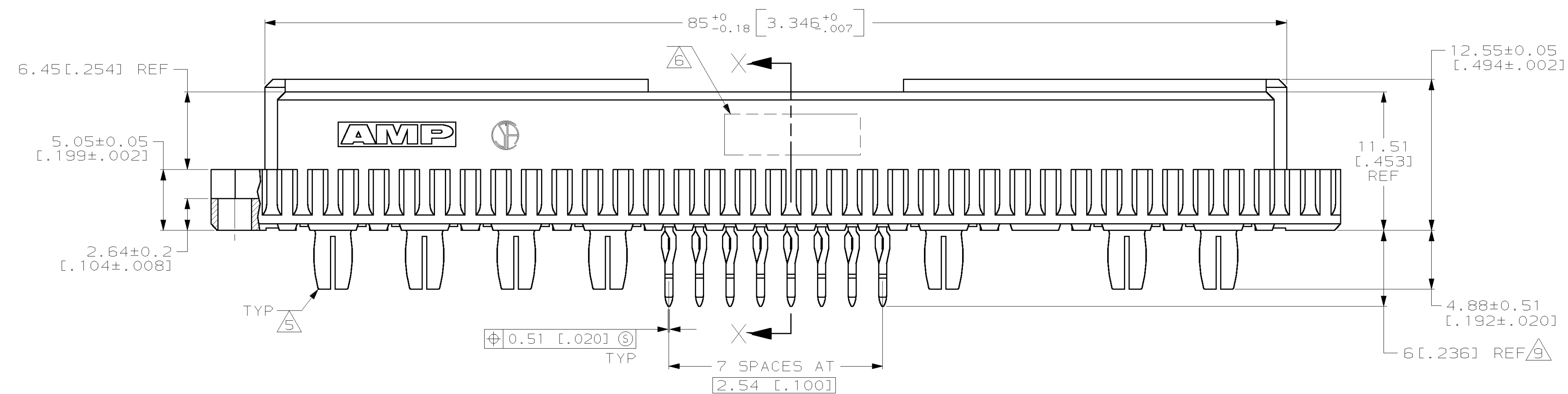
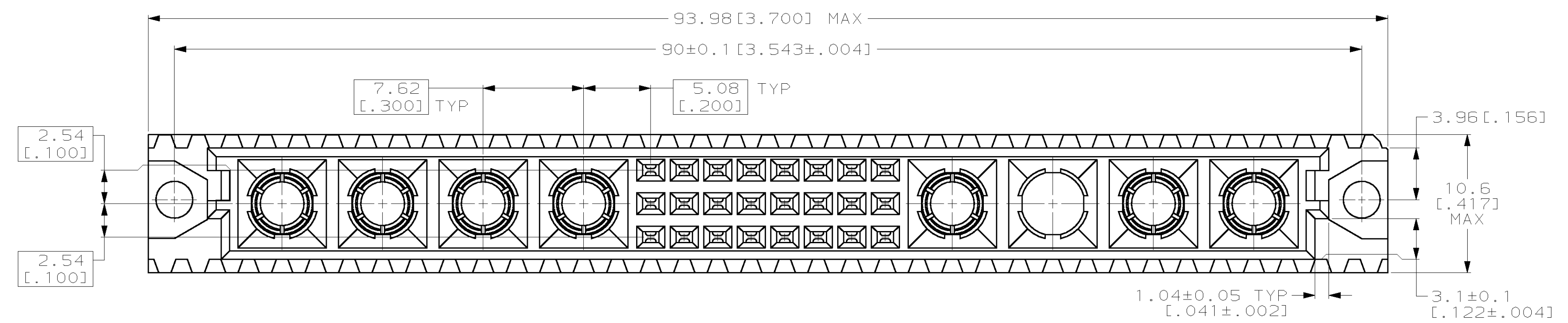


REVISONS		DATE	OWN	APVD
AD	25			
A	REV PER	0620-0348-98	16 JAN 99	BH L5B
B	REV PER	EC 0621-80-99	06 APR 99	BC CR

- 1 HOUSING MATERIAL: GLASS-FILLED POLYESTER. COLOR: GRAY.
- 2 CONTACT MATERIAL: PHOSPHOR BRONZE.
- 3 POWER CONTACT MATERIAL: BERYLLIUM COPPER.
- 4 CONTACT FINISH: DIN 41612 CLASS 2 IN CONTACT AREA. TIN-LEAD PLATE ON POSTS.
- 5 POWER CONTACT FINISH: DIN 41612 CLASS 2 ALL OVER.
- 6 PART NUMBER AND DATE CODE HOT STAMPED IN THIS APPROXIMATE AREA.
- 7 ACTION PIN POSTS REQUIRE 2.36[.093] MINIMUM THICK PC BOARD. RECOMMENDED PC BOARD DRILLED HOLES ARE  $\phi 1.15 \pm 0.025 [0.0453 \pm 0.0010]$  WITH 0.02-0.08[.001-.003] COPPER AND 0.008[.0003] MINIMUM TIN-LEAD PLATING. FINISHED HOLE AFTER PLATING IS  $\phi 1.02 \pm 0.08 [0.40 \pm 0.003]$ .
- 8 HOT STAMPING ON THIS SIDE.
- 9 TAIL LENGTH AFTER SEATING IN PC BOARD.
- 10 POWER CONTACTS REQUIRE  $\phi 3.13 \pm 0.08 [1.23 \pm 0.003]$  DRILLED HOLE WITH 0.05  $\pm 0.25 [0.02 \pm 0.01]$  THICK COPPER AND 0.13[.005] MINIMUM TIN-LEAD PLATING. FINISHED HOLE SIZE IS  $\phi 3.0 \pm 0.08 [1.18 \pm 0.003]$ .



148497-5  
PART NUMBER

THIS DRAWING IS A CONTROLLED DOCUMENT.		DWN: L. BRINER 9/1/98	AMP AMP Incorporated Harrisburg, PA 17105-3608
DIMENSIONS: mm (INCHES)		CHK: R. PATTERSON 9/1/98	
TOLERANCES UNLESS OTHERWISE SPECIFIED:		APVD: R. PATTERSON 9/1/98	NAME: RECEPTACLE ASSEMBLY, EUROCARD, PRESS FIT, TYPE M, 24 + 8 POSITIONS
0 PLC ±		PRODUCT SPEC	
1 PLC ±		APPLICATION SPEC	SIZE: A1
2 PLC ±0.13(.005)		WEIGHT	CAGE CODE: 148497
3 PLC ±		CUSTOMER DRAWING	SCALE: 4:1
4 PLC ±			SHEET: 1 OF 1
MATERIAL: HSG: △			REV: B
POWER CONT: △			
CONT: △			
POWER: △			

单击下面可查看定价，库存，交付和生命周期等信息

[>>TE Connectivity\(泰科\)](#)