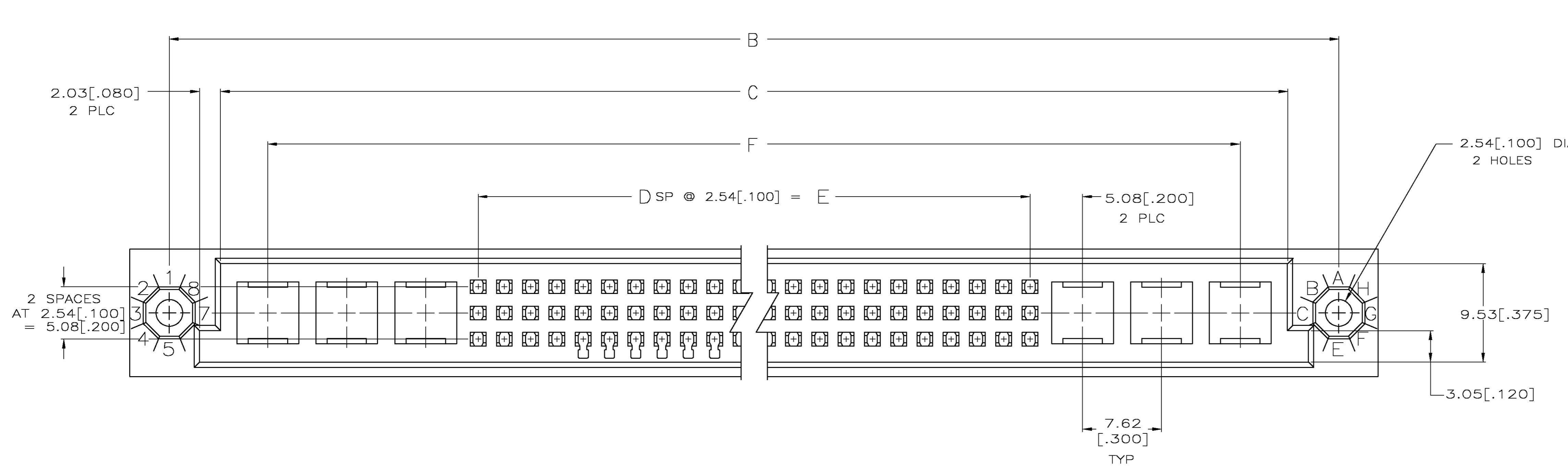
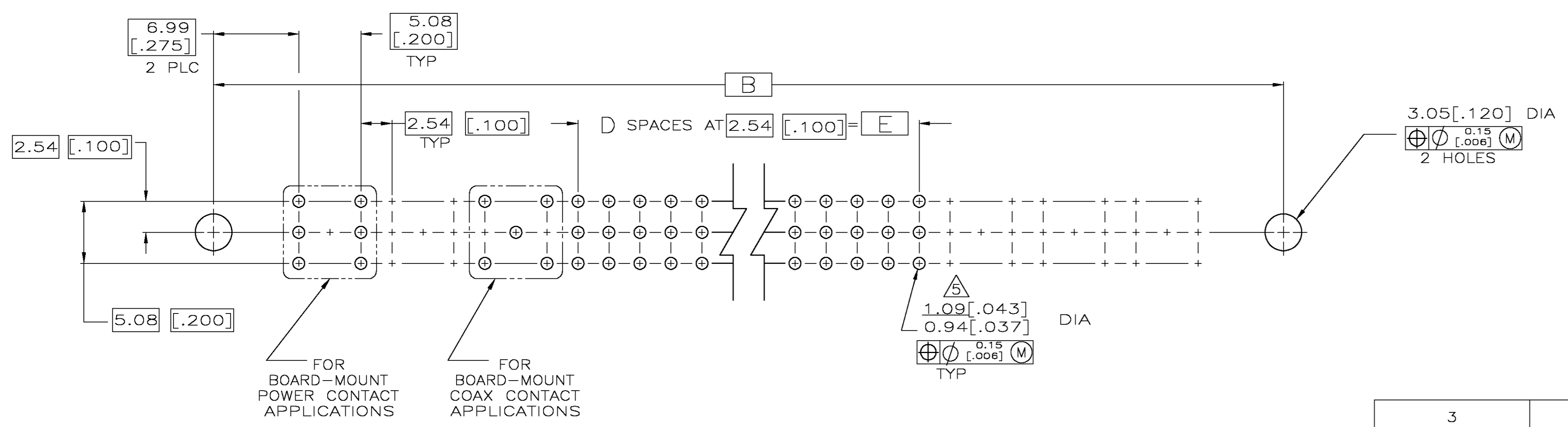
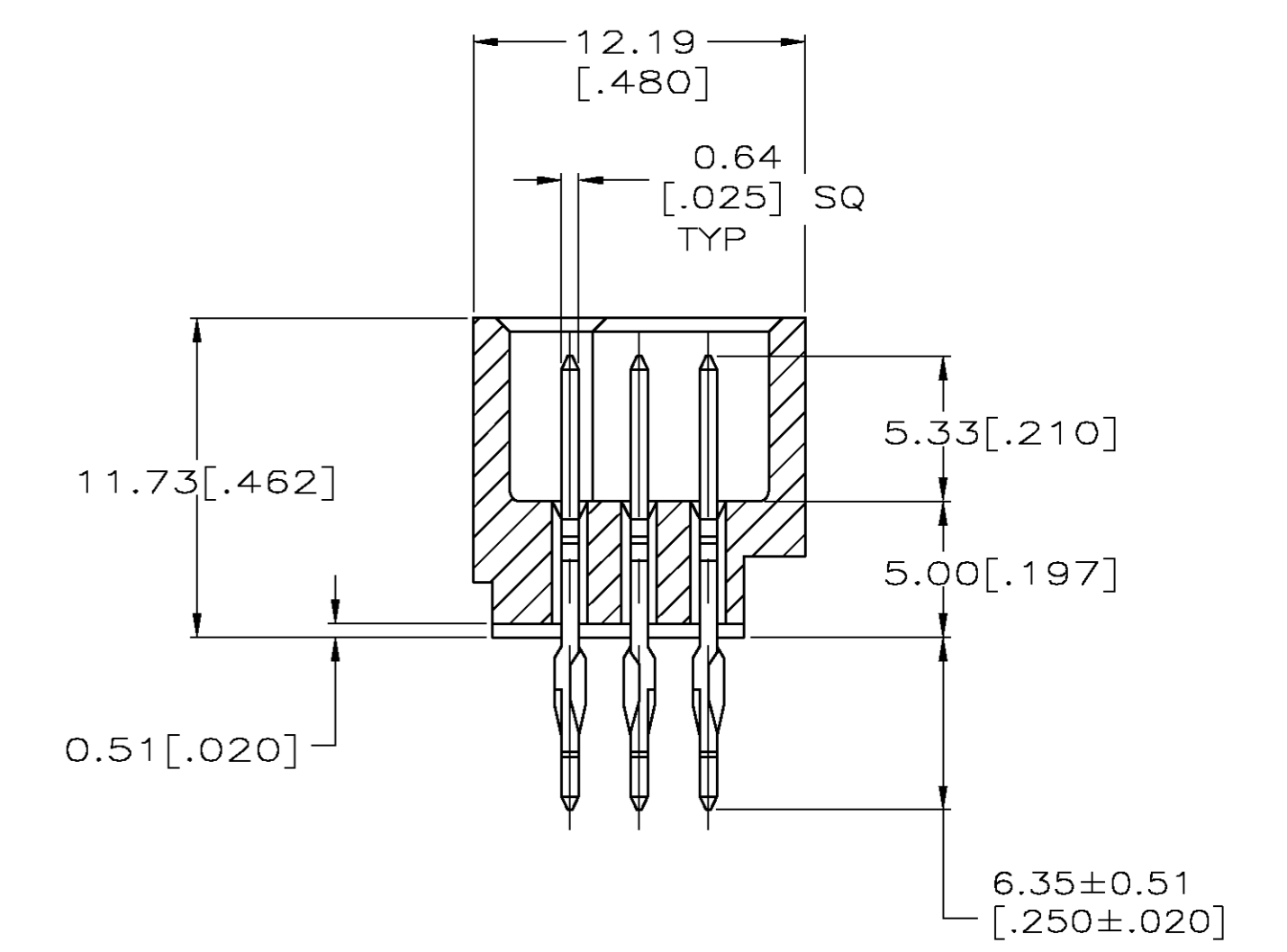
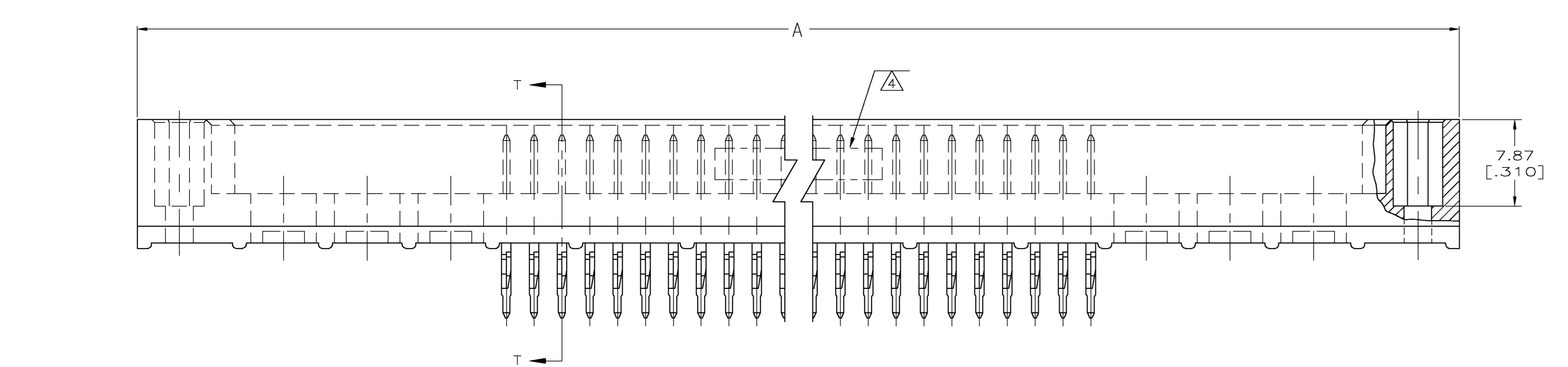


LOC		DIST		REVISIONS			
F	L/R	DESCRIPTION	DATE	DRN	APVD		
0		RELEASED PER EC 0512-0038-05	11MAY05	JDP	AMS		



- 1 HOUSING MATERIAL: THERMOPLASTIC, COLOR-NATURAL.
- 2 POST MATERIAL: PHOSPHOR BRONZE.
- 3 FINISH: 0.00076[.000030] GOLD IN CONTACT AREA, OVER 0.00127-0.00254[.000050-.000100] NICKEL UNDERPLATE, TIN PLATED POST.
- 4 MARKED 'AMP', PART NO. & DATE CODE THIS APPROXIMATE AREA.
- 5 ACTION PIN POSTS REQUIRE 2.36[.093] MIN THK PC BOARD. RECOMMENDED PC BOARD HOLES ARE 1.151[.0453] DIA DRILL PLATED THROUGH WITH 0.03-0.08[.001-.003] COPPER, WITH .0003 MIN TIN-LEAD PLATING. FINISHED HOLE AFTER PLATING, 0.94-1.09[.037-.043] DIA.



3	3	73.66 [2.900]	33.02 [1.300]	13	82.55 [3.250]	92.71 [3.650]	100.33 [3.950]	42	1-5533429-2
POWER PORTS NUMBER END	LETTER END	F	E	D	C	B	A	POSN	PART NUMBER

RECOMMENDED PC BOARD LAYOUT

THIS DRAWING IS A CONTROLLED DOCUMENT.

DRN	J. POLIGNONE	11MAY05	Tyco Electronics Corporation Harrisburg, Pa 17105-3608
CHK	A. SHARPE	11MAY05	
APP'D	A. SHARPE	11MAY05	NAME
PRODUCT SPEC			ASSEMBLY, PIN, VERTICAL, HDI, LEAD-FREE, 3 ROW, WITHOUT GUIDE PINS, 6.35[.250] ACTION PINS, 0.00076[.000030] GOLD PLATE
APPLICATION SPEC			SIZE
WEIGHT			CAGE CODE
			DRAWING NO
			RESTRICTED TO
			A1 00779
			C=5533429
			CUSTOMER DRAWING
			SCALE 4:1
			SHEET 1 OF 1
			REV 0

单击下面可查看定价，库存，交付和生命周期等信息

[>>TE Connectivity\(泰科\)](#)