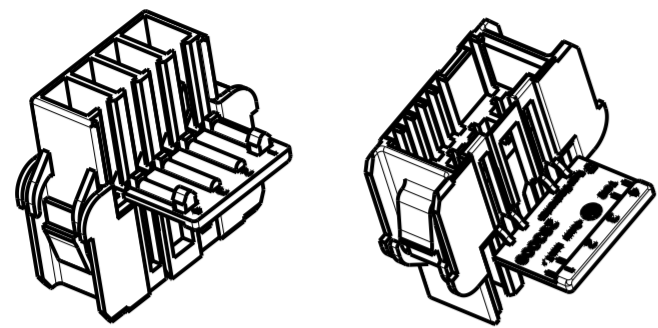
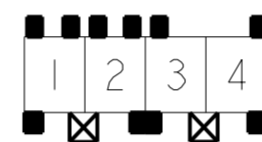
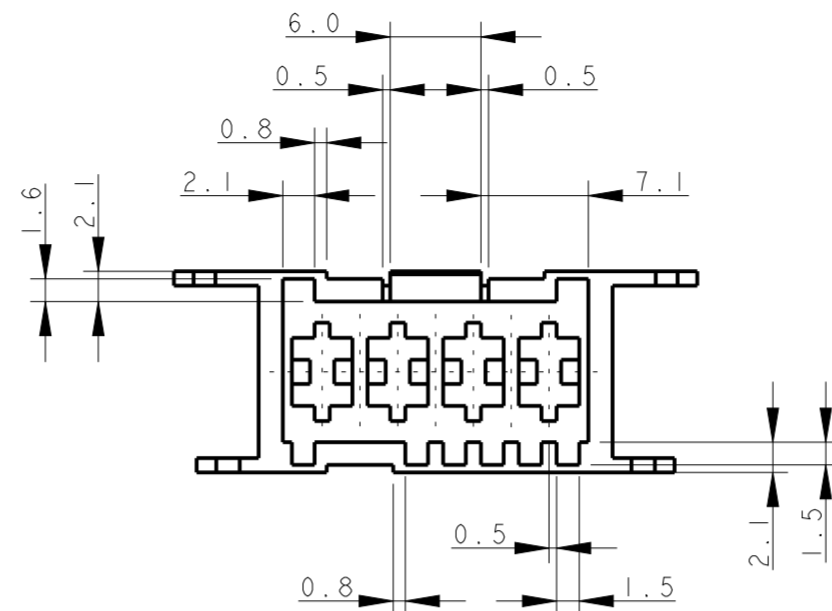
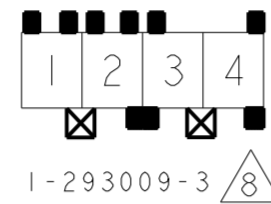
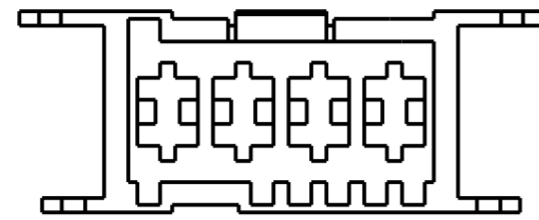


REVISIONS							
LOC	DIST	P	LTR	DESCRIPTION	DATE	DWN	APVD
		B1		UPDATED, ET00-0012-05	12 JAN 2005	HY	GT
		B2		P/N 293009-3 ADDED AS PRELIMINARY	02 DEC 2009	PKS	RRP
		B3		PN 293009-3 RELEASED	10MAR2011	PKS	MP
		B4		REVISED PER ECR-21-102873	17MAY2021	PJ	FL

### POLARIZATION KEYS SCHEME

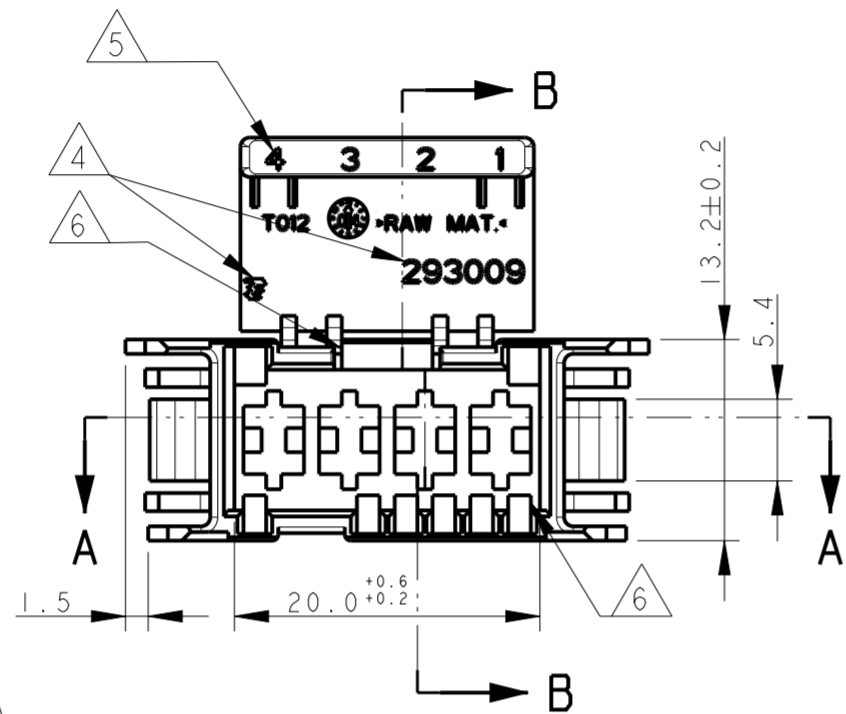
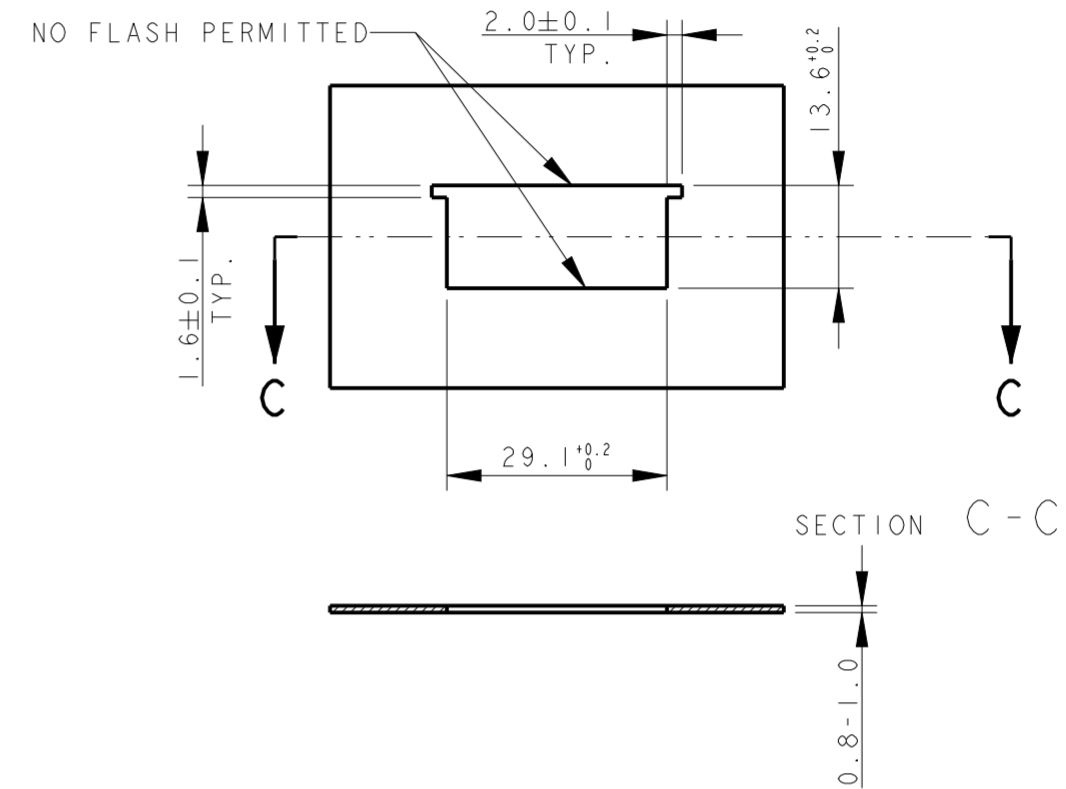


SCALE 1:1



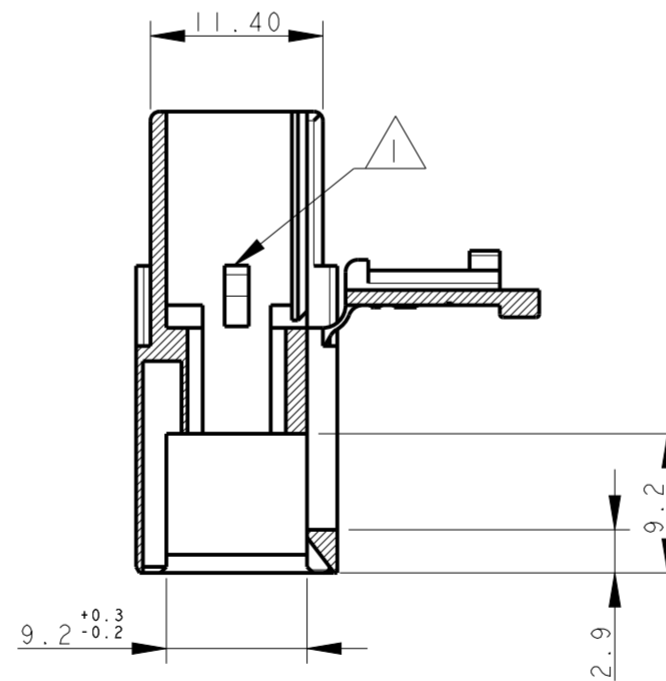
293009-1  
 293009-2  
 293009-3

PANEL MOUNT DIMENSIONS SCALE 1:1

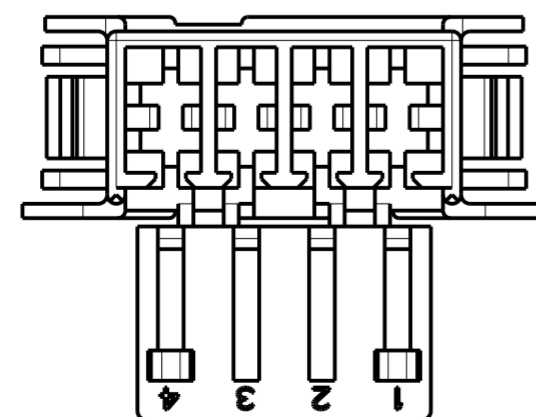
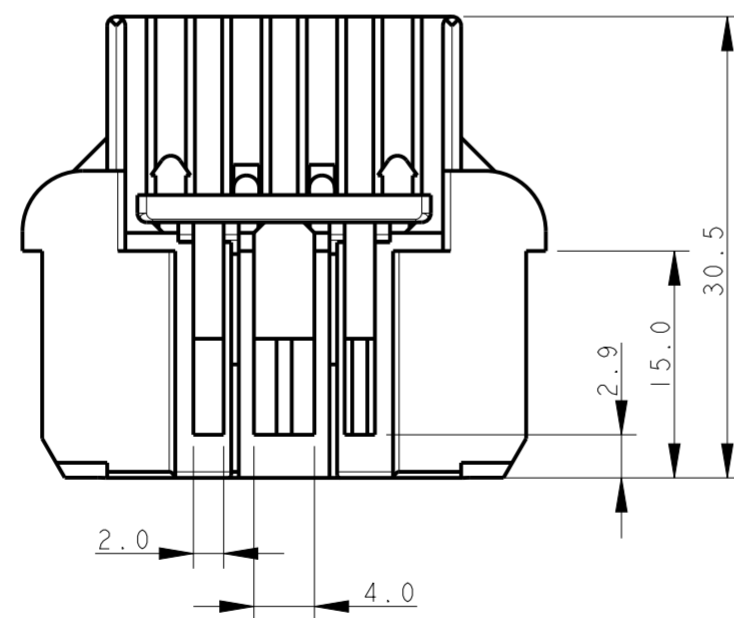
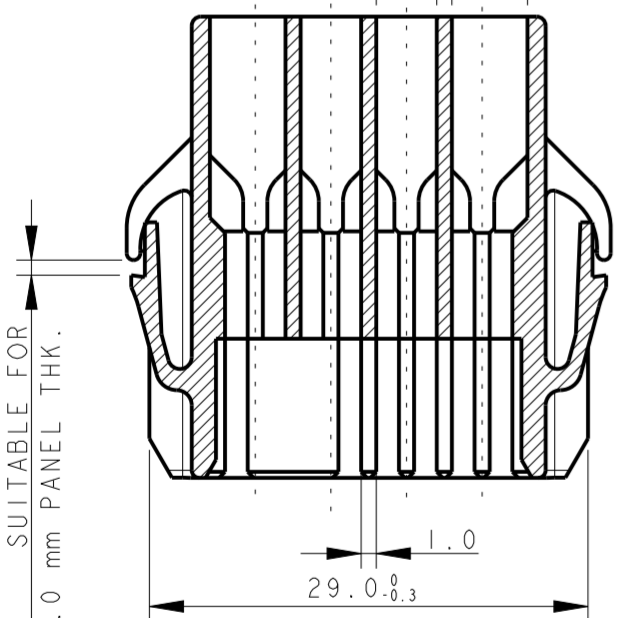


SECTION A-A

SECTION B-B



5.0  
 5.00±0.15 PITCH  
 4.0  
 TYPICAL SYMMETRICAL CAVITY x6  
 15.00±0.15



- 1) TYPICAL CAVITY SUITABLE FOR:  
 FASTIN-FASTON TAB CONTACTS 6.3 mm SRS:  
 P/N: 60294, 0.3-0.8 mm<sup>2</sup> WIRE RANGE  
 160691, 0.3-0.8 mm<sup>2</sup> WIRE RANGE  
 AMPLIVAR CONTACTS:  
 P/N: 141051, 0.1-0.5 mm<sup>2</sup> WIRE RANGE  
 142411, 0.3-1.6 mm<sup>2</sup> WIRE RANGE  
 MAX. INSULATION DIA. 2.8 mm,  
 MAX. INSULATION CRIMP WIDTH 3.3 mm.
- 2) PA6 UNFILLED, UL 94-V2, NATURE COLOUR ACCORDING TO IEC 60335-1 NORM.
- 3) PA66 UNFILLED, UL 94-V2, NATURE COLOUR
- 4) TE TRADEMARK "LOGO" AND TYCO ELECTRONICS "PART NUMBER" OPTIONAL POSITION.
- 5) CIRCUIT IDENTIFICATION NUMBERS, 1 TO 4
- 6) POLARIZATION KEYS DIMENSIONS AND POSITIONS ARE ACCORDING TO "RAST 5" NORM RAST CODE 04-B, 04-C, 04-F, 04-G.
- 7) PA66 UNFILLED, UL 94-V0 GWT, NATURE COLOUR
- 8) PRELIMINARY PART, NOT YET RELEASED FOR PRODUCTION

NATURAL	SEE NOTE 7	1-293009-3	8
NATURALE (NATUR)	VEDI NOTA 7 (SEE NOTE 7)	293009-3	
NATURALE (NATUR)	VEDI NOTA 3 (SEE NOTE 3)	293009-2	
NATURALE (NATUR)	VEDI NOTA 2 (SEE NOTE 2)	293009-1	
COLORE (COLOUR)	MATERIALE (MATERIAL)	NUMERO (TE P/N)	

P/N 293009-1, 293009-2, 293009-3 AS SHOWN

THIS DRAWING IS A CONTROLLED DOCUMENT FOR TYCO ELECTRONICS CORPORATION. IT IS SUBJECT TO CHANGE AND THE CONTROLLING ENGINEERING ORGANIZATION SHOULD BE CONTACTED FOR THE LATEST REVISION.		DWN H. YAALI	29 JAN 2004	Tyco Electronics Tyco Electronics AMP Italia S.p.A. C.so F. Cervi, 15 COLLEGGIO (TO)	
DIMENSIONS: mm		CHK C. TARTARI	APVD	NAME 4 POS. FASTIN-FASTON Connector TAB HOUSING, RAST 5 0.8-1.0 MM THK. PANEL MOUNT VERSION	
TOLERANCES UNLESS OTHERWISE SPECIFIED: 0 PLC ± 1 PLC ±0.3 2 PLC ± 3 PLC ± 4 PLC ± ANGLES ±1° FINISH		PRODUCT SPEC 108-20256		SIZE A2	
MATERIAL SEE TABLE		APPLICATION SPEC		CAGE CODE 00779	
SEE TABLE		WEIGHT		DRAWING NO C-293009	
SEE TABLE		CUSTOMER DRAWING		RESTRICTED TO SCALE 3:1 SHEET 1 OF 1 REV B4	

单击下面可查看定价，库存，交付和生命周期等信息

[>>TE Connectivity\(泰科\)](#)