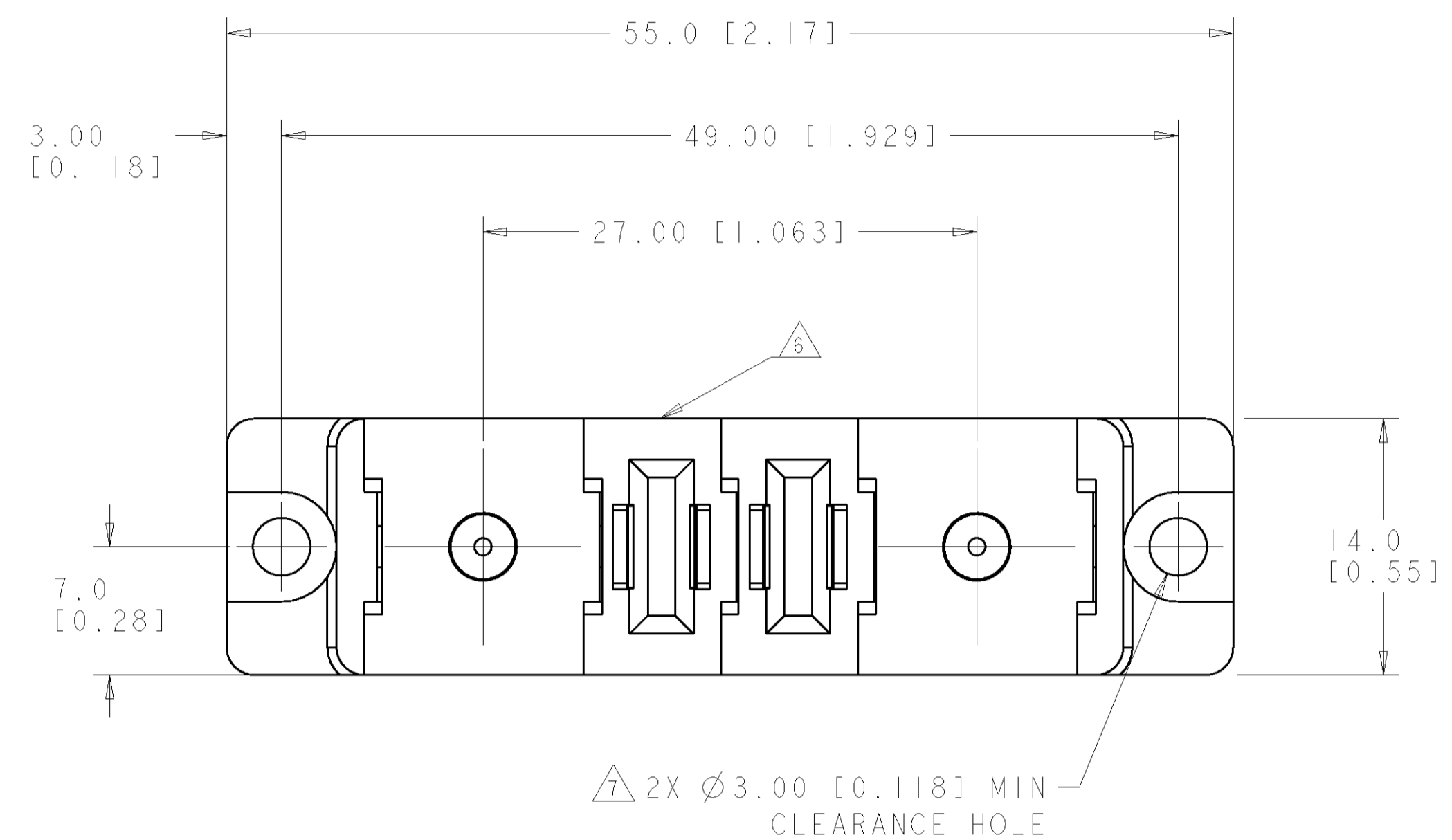


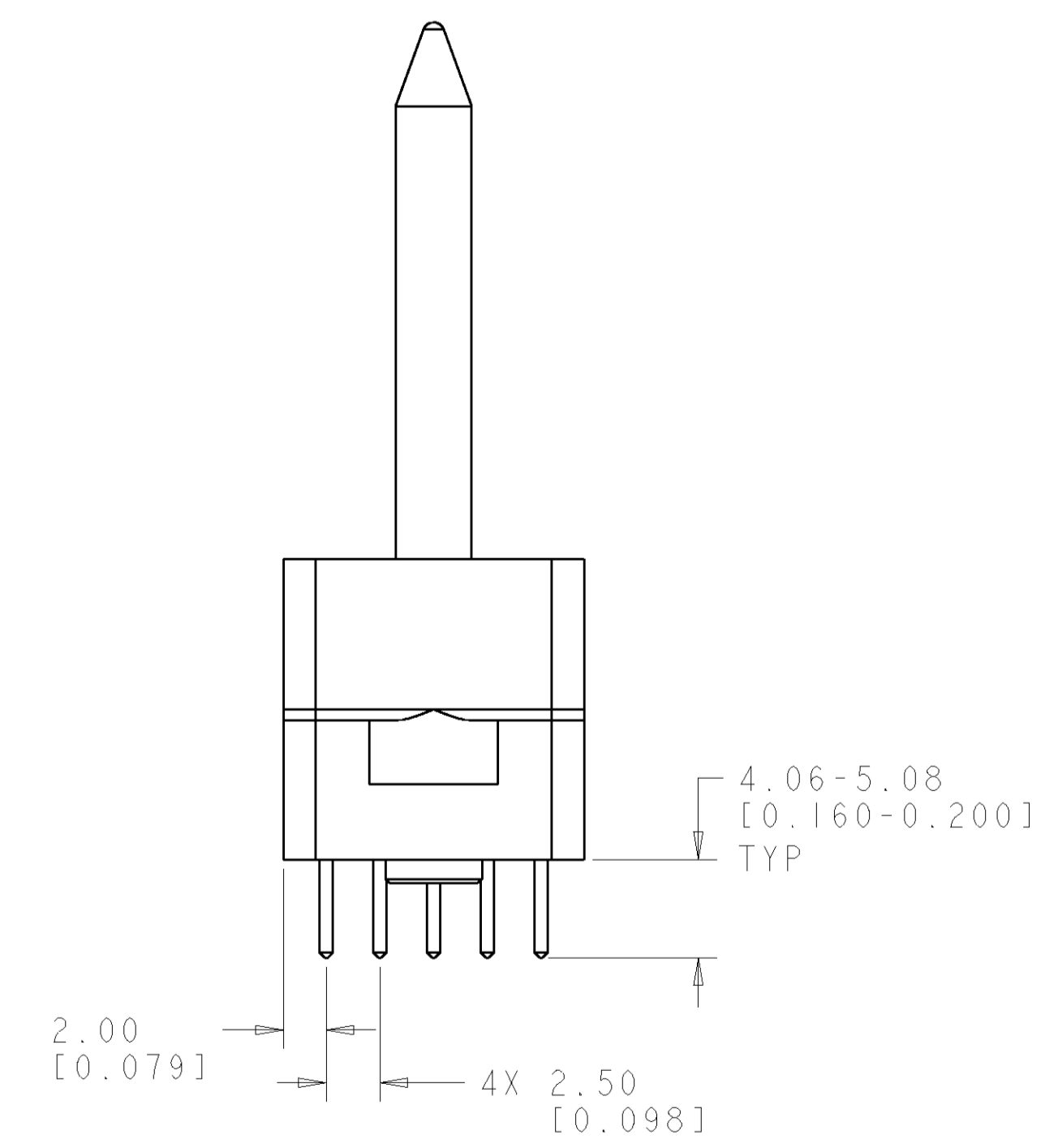
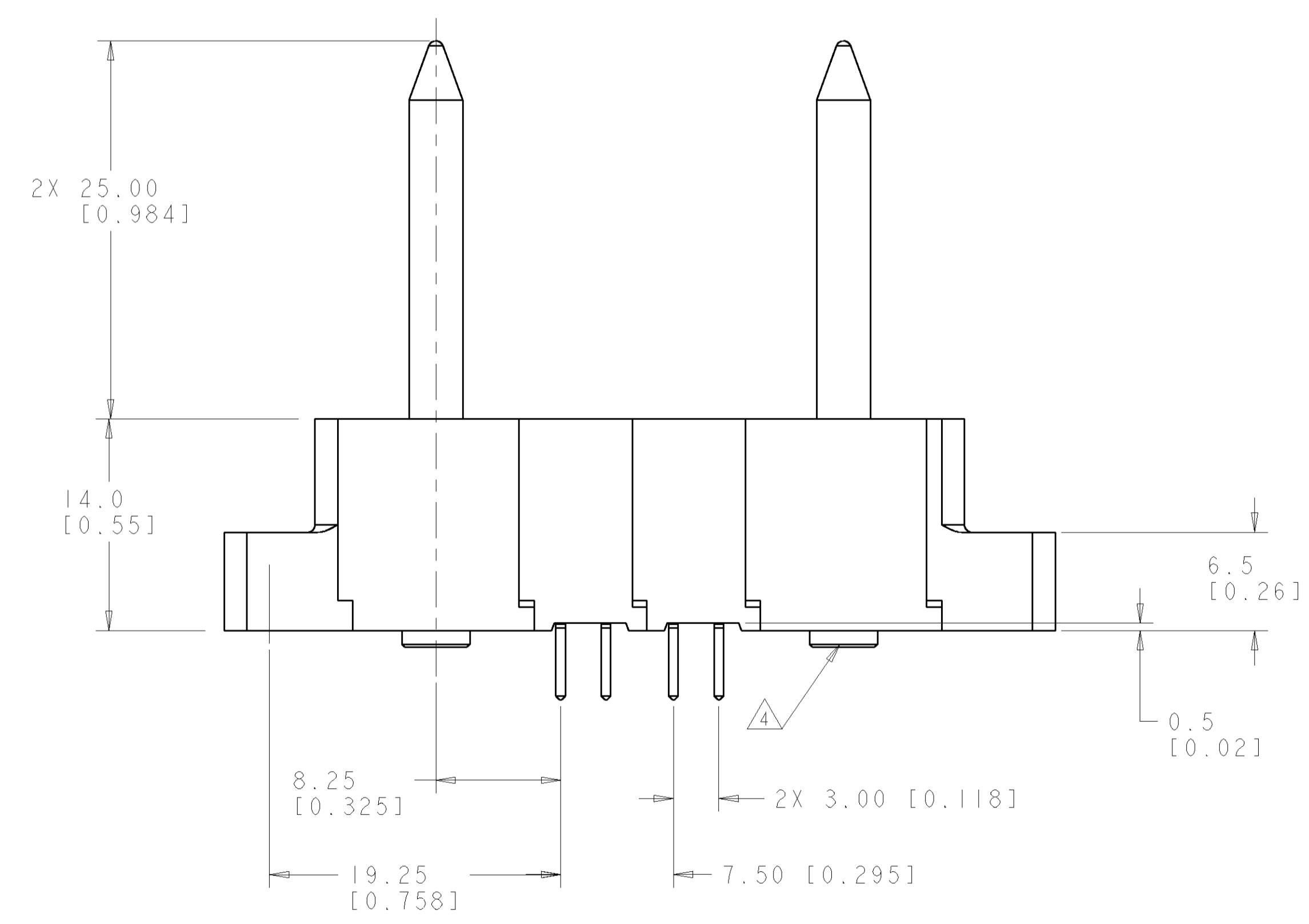
LOC		DIST		REVISIONS			
P	LTR	DESCRIPTION	DATE	DWN	APVD	RG	PD
A		RELEASED	15FEB2007	RG	PD		



- PART NUMBER CHANGES AND OR DESIGN CHANGES AFFECTING ITEM INTERCHANGEABILITY REQUIRE PRIOR TYCO APPROVAL AND AUTHORIZATION BY REVISION TO THIS DRAWING.
- MATERIAL:  
 INSULATORS - THERMOPLASTIC, GLASS REINFORCED, COLOR: BLACK  
 UL94V-0 FLAMMABILITY RATED.  
 POWER CONTACTS - PHOSPHOR BRONZE ALLOY,  
 COPPER ALLOY  
 CROWN BAND-BERYLLIUM COPPER ALLOY  
 GUIDE PIN-COPPER ALLOY
- FINISH:  
 CONTACTS - GOLD PLATE .000030" MIN. THK., OVER NICKEL  
 .000040" MIN. THK  
 TERMINALS- TIN .000120" MIN. THK. OVER NICKEL .000040 MIN THK.  
 GUIDE PIN - SILVER PLATE .000200" MIN THK. OVER NICKEL .00004" MIN THK.
- ACTIVE GUIDE PIN ACCEPT M3 SCREWS, (USER SUPPLIED)
- THIS CONNECTOR MATES WITH SOCKET CONNECTOR PN 1926310-1
- ITEMS PROVIDED TO THIS SPECIFICATION TO BE PERMANENTLY IDENTIFIED PER THE FOLLOWING IDENTIFIER LABEL

YEAR WEEK  
 TYCO PART NO. DATE CODE (e.g. 0106)  
 XXXXXXXX-X XXXX

▲ MOUNTING FLANGES ACCEPT #6 SCREWS. (USER SUPPLIED)

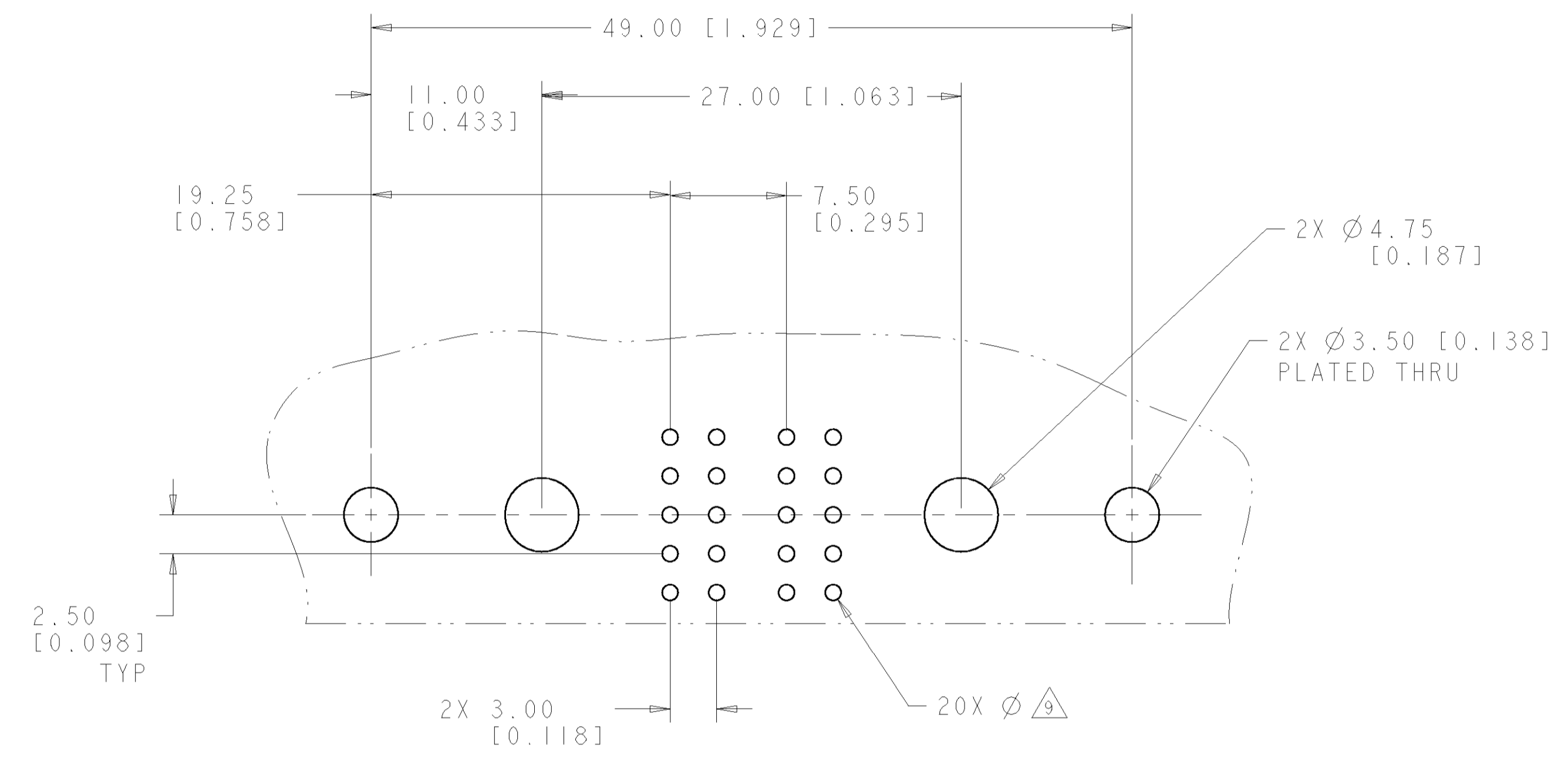


ELCON FLATPAQ

AS SHOWN	1926311-1
DESCRIPTION	PART NUMBER

DIMENSIONS: mm [INCHES] TOLERANCES UNLESS OTHERWISE SPECIFIED: 0 PLC ± 1 PLC ±.5 [0.020] 2 PLC ±.25 [0.010] 3 PLC ± 4 PLC ± ANGLES ±.5		DWN: B. GRZYBOWSKI CHK: P. DAMATO APVD: S. FLICKINGER PRODUCT SPEC APPLICATION SPEC WEIGHT CUSTOMER DRAWING	DTDEC06 DTDEC06 DTDEC06 DTDEC06 DTDEC06 DTDEC06 DTDEC06	tyco Tyco Electronics Harrisburg, PA 17105-3608 NAME: SOCKET CONNECTOR STRAIGHT, SOLDER TAILS FLATPAQ SIZE: A   00779   C=1926311 SCALE: 2:1 SHEET 1 OF 3 REV A
---	--	---	---	---

LOC	DIST	REVISIONS			
P	LTR	DESCRIPTION	DATE	DWN	APVD
-	-	SEE SHEET 1	-	-	-



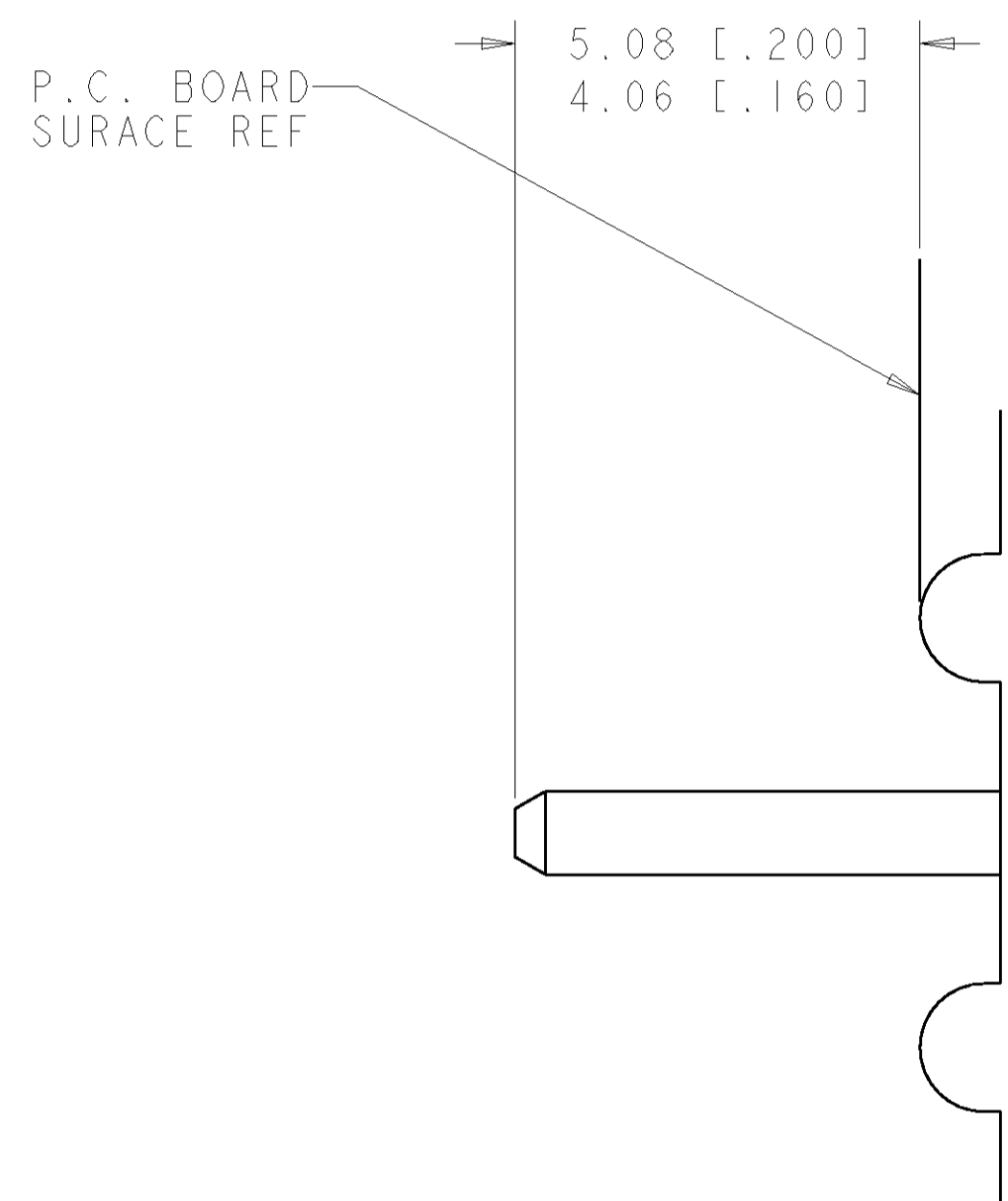
PRINTED CIRCUIT LAYOUT  
 COMPONENT SIDE

CONNECTOR	CATALOG MODULE #	QTY	SIZE NO.	CONTACT QTY	MATING PIN	MAX. CURRENT (PER CONTACT)	CONTACT SPACING	VOLTAGE RATING
SOCKET	FP100	2	8	4	1.25 X 7.00 [.049 X .276]	35 amps	7.50 [0.295]	250 VOLTS
	FP515	2	ACTIVE STRAIGHT GUIDE PIN					
	FP500	1	MOUNTING FLANGE, LEFT					
	FP501	1	MOUNTING FLANGE, RIGHT					

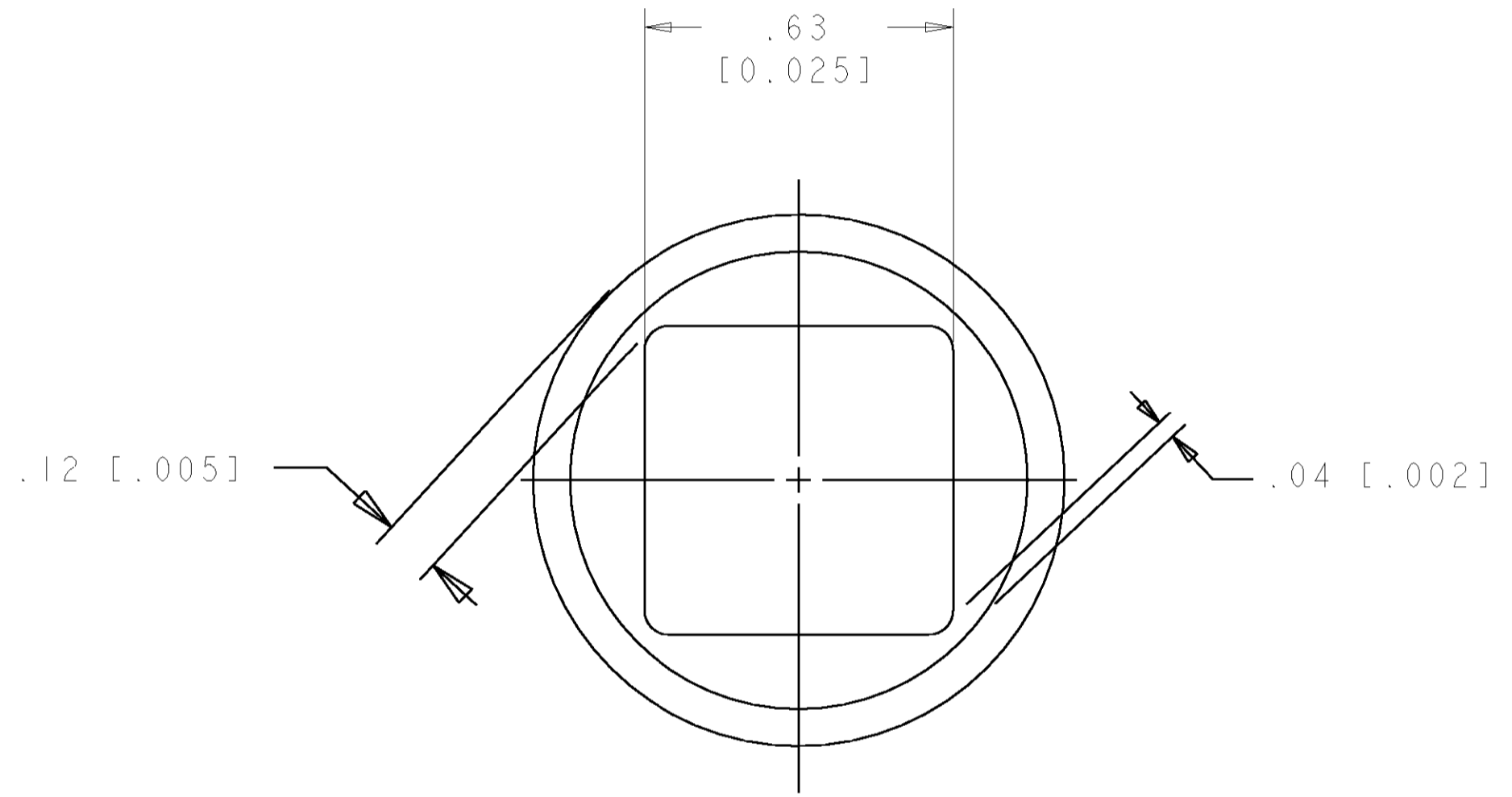
<small>THE DIMENSIONS OF THIS DRAWING ARE SUBJECT TO CHANGE WITHOUT NOTICE AND WITHOUT LIABILITY TO THE CUSTOMER. THE CUSTOMER SHALL BE RESPONSIBLE FOR VERIFYING THE DIMENSIONS OF THE PARTS TO BE ORDERED. CONTACT THE CUSTOMER SERVICE DEPARTMENT FOR MORE INFORMATION.</small>		DWN: B. GRZYBOWSKI CHK: P. DAMATO APVD: S. FLICKINGER	DTDEC06 DTDEC06 DTDEC06	<b>tyco</b> Electronics Tyco Electronics Harrisburg, PA 17105-3608
DIMENSIONS: mm [INCHES]	TOLERANCES UNLESS OTHERWISE SPECIFIED: 0 PLC ± 1 PLC ±.5 (.020) 2 PLC ±.25 (.010) 3 PLC ± 4 PLC ± ANGLES ±.5	PRODUCT SPEC APPLICATION SPEC	NAME: SOCKET CONNECTOR STRAIGHT, SOLDER TAILS FLATPAQ SIZE: A CAGE CODE: 100779 DRAWING NO: C-1926311	RESTRICTED TO:
MATERIAL: -	FINISH: -	WEIGHT: -	CUSTOMER DRAWING	SCALE: 2:1 SHEET 2 OF 3 REV A

ELCON FLATPAQ

LOC	DIST	REVISIONS					
		P.	LTR	DESCRIPTION	DATE	DWN	APVD
GP	00	-	-	SEE SHEET 1	-	-	-



8. SOLDER PIN DETAIL  
SCALE 10 : 1



9. SOLDER TERMINATION AREA  
 SCALE 40:1  
 RECOMMENDED PRINTED CIRCUIT SOLDER HOLE  
 FINISHED HOLE:  $\varnothing 1.02 [0.040] \pm .08 [0.003]$   
 DRILLED HOLE:  $\varnothing 1.15 [0.0453] \pm .013 [0.0005]$   
 COPPER PLATE: .025 [.0010] MIN  
 TIN PLATE: .008 [.0003] MIN. (PER SURFACE)

ELCON FLATPAQ

<small>THIS DRAWING IS UNPUBLISHED. RELEASED FOR PUBLICATION. ALL RIGHTS RESERVED. THIS DRAWING IS THE PROPERTY OF TYCO ELECTRONICS CORPORATION. IT IS TO BE USED ONLY FOR THE PURPOSES AND ORGANIZATION SPECIFIED BY THE CUSTOMER. IT IS NOT TO BE REPRODUCED OR TRANSMITTED IN ANY FORM OR BY ANY MEANS, ELECTRONIC OR MECHANICAL, INCLUDING PHOTOCOPYING, RECORDING, OR BY ANY INFORMATION STORAGE AND RETRIEVAL SYSTEM, WITHOUT THE WRITTEN PERMISSION OF TYCO ELECTRONICS CORPORATION.</small>		DWN B. GRZYBOWSKI 01DEC06 CHK P. DAMATO 01DEC06 APVD S. FLICKINGER 01DEC06	<b>tyco</b> Electronics Tyco Electronics Harrisburg, PA 17105-3608
DIMENSIONS: mm [INCHES]	TOLERANCES UNLESS OTHERWISE SPECIFIED: 0 PLC ± 1 PLC ±.5 [.020] 2 PLC ±.25 [.010] 3 PLC ± 4 PLC ± ANGLES ±.5	NAME SOCKET CONNECTOR STRAIGHT, SOLDER TAILS FLATPAQ	SIZE CAGE CODE DRAWING NO RESTRICTED TO A 100779 C-1926311 -
MATERIAL -	FINISH -	WEIGHT -	CUSTOMER DRAWING SCALE 2:1 SHEET 3 OF 3 REV A

单击下面可查看定价，库存，交付和生命周期等信息

[>>TE Connectivity\(泰科\)](#)