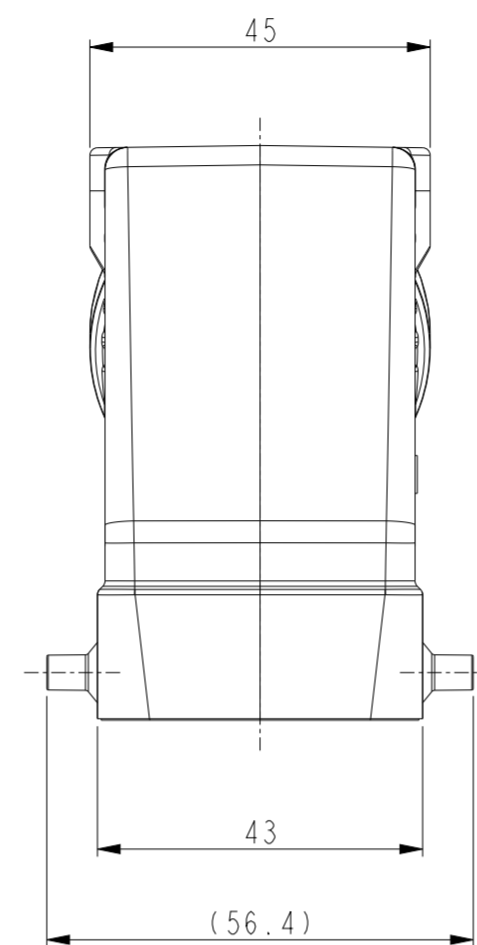
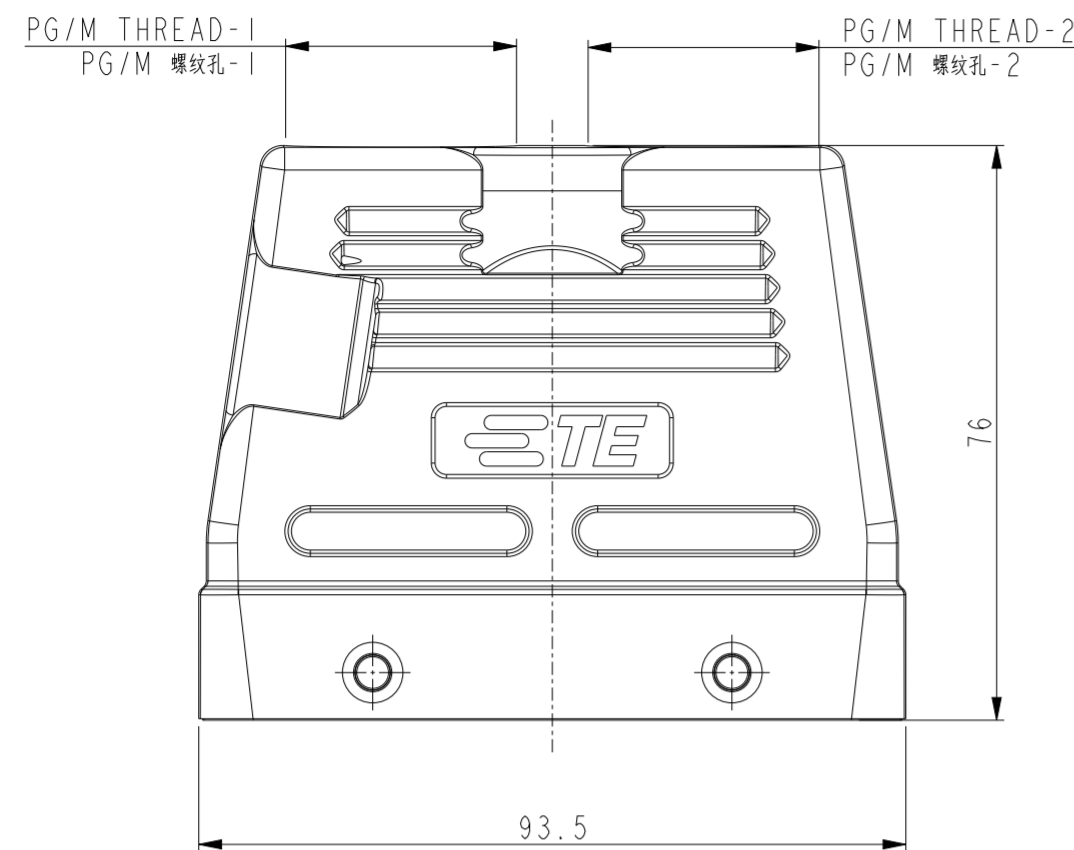


THIS DRAWING IS UNPUBLISHED. RELEASED FOR PUBLICATION 20
 © COPYRIGHT 20 BY - ALL RIGHTS RESERVED.

REVISIONS				
P	LTR	DESCRIPTION	DATE	APVD
B1		ECR-18-017123	21JAN2019	KW CW
B2		ECR-19-005083	29MAR2019	RG CW
C		ECR-20-008190	07AUG2020	WOR CW
C1		ECR-21-105138	29JUN2021	WOR CW

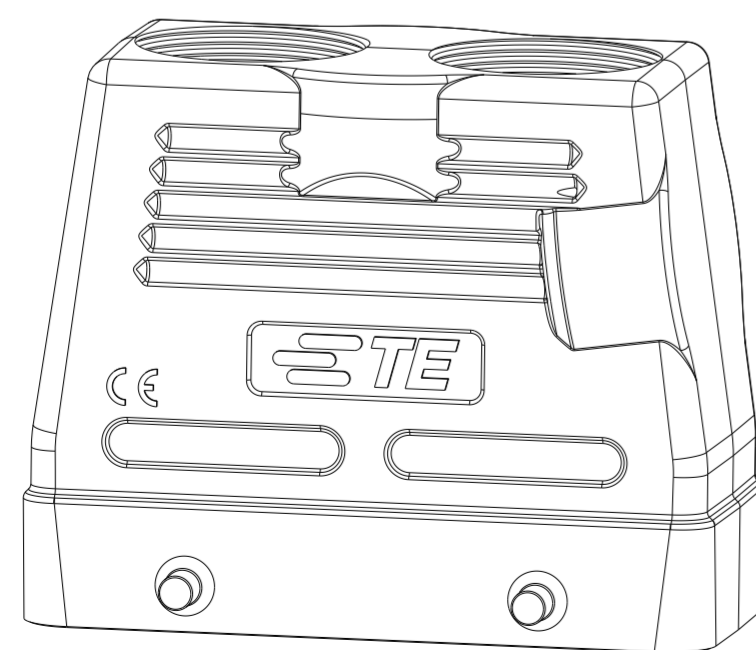
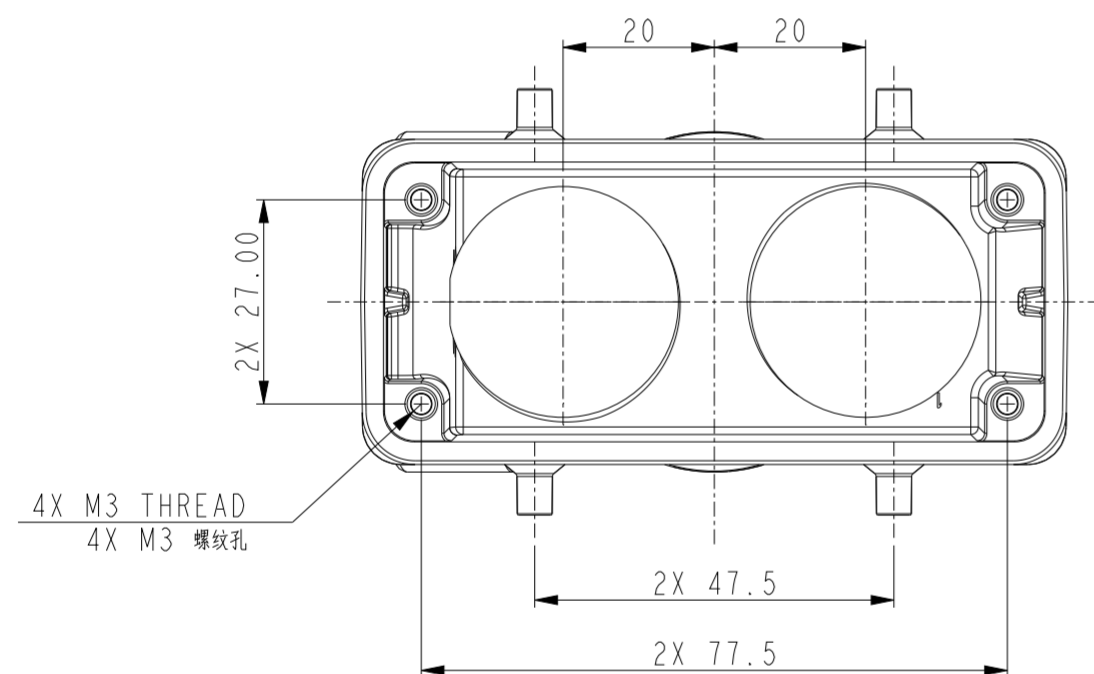


NOTES:

- 1. TECHNICAL CHARACTERISTICS:
 HOOD MATERIAL: DIE CAST ALUMINIUM ALLOY
 SURFACE: POWDER COATED, GREY
 DEGREE OF PROTECTION: IP65 (MATED)
- 2. PG25 IS NOT STANDARD THREAD SPEC, HERE RESTRICTED TO MATE WITH OUT DIAMETER 29.5mm AND THREAD PITCH 1.588mm GLAND.

注释:

- 1. 技术参数:
 上壳材料: 铝合金
 表面处理: 灰色粉末喷涂
 防护等级: IP65(配合)
- 2. PG25 为非标准螺纹, 此处限定互配螺纹外径为29.5mm, 螺距1.588mm 的格兰头.



T1240160225-001	H16B-TGH-2PG25 (FOR OD29.5MM THREAD)	H16B HOOD, TOP ENTRY 2PG25(FOR OD29.5MM THREAD), 4 EAR HIGH CONSTRUCTION, POWDER COATED, GREY H16B上壳, 顶出2PG25(互配螺纹外径29.50mm), 4耳, 高结构, 灰色粉末喷涂	PG25	PG25	HIGH CONSTRUCTION 高结构
T1240160216-000	H16B-TGH-2PG16	H16B HOOD, TOP ENTRY 2PG16, 4 EAR HIGH CONSTRUCTION, POWDER COATED, GREY H16B上壳, 顶出2PG16, 4耳, 高结构, 灰色粉末喷涂	PG16	PG16	
T1240160216-001	H16B-TGH-2M16	H16B HOOD, TOP ENTRY 2M16, 4 EAR HIGH CONSTRUCTION, POWDER COATED, GREY H16B上壳, 顶出2M16, 4耳, 高结构, 灰色粉末喷涂	M16	M16	
T1240160221-000	H16B-TGH-2PG21	H16B HOOD, TOP ENTRY 2PG21, 4 EAR HIGH CONSTRUCTION, POWDER COATED, GREY H16B上壳, 顶出2PG21, 4耳, 高结构, 灰色粉末喷涂	PG21	PG21	
T1240160225-000	H16B-TGH-2M25	H16B HOOD, TOP ENTRY 2M25, 4 EAR HIGH CONSTRUCTION, POWDER COATED, GREY H16B上壳, 顶出2M25, 4耳, 高结构, 灰色粉末喷涂	M25	M25	
T1240161625-000	H16B-TGH-M16/M25	H16B HOOD, TOP ENTRY M16/M25, 4 EAR HIGH CONSTRUCTION, POWDER COATED, GREY H16B上壳, 顶出M16/M25, 4耳, 高结构, 灰色粉末喷涂	M16	M25	
T1240163225-000	H16B-TGH-M32/M25	H16B HOOD, TOP ENTRY M32/M25, 4 EAR HIGH CONSTRUCTION, POWDER COATED, GREY H16B上壳, 顶出M32/M25, 4耳, 高结构, 灰色粉末喷涂	M32	M25	
T1240162520-000	H16B-TGH-M25/M20	H16B HOOD, TOP ENTRY M25/M20, 4 EAR HIGH CONSTRUCTION, POWDER COATED, GREY H16B上壳, 顶出M25/M20, 4耳, 高结构, 灰色粉末喷涂	M25	M20	
PART NUMBER 料号	PART DESCRIPTION 描述	PG/M THREAD-1 PG/M 螺纹孔-1	PG/M THREAD-2 PG/M 螺纹孔-2	TYPE 类型	

THIS DRAWING IS A CONTROLLED DOCUMENT.

DWN DAVID.WANG 22MAY2014
 CHK CHRIS.WANG 22MAY2014
 APVD XIANG.XU 22MAY2014

STE TE Connectivity

DIMENSIONS:	TOLERANCES UNLESS OTHERWISE SPECIFIED:
mm	0 PLC ± 1 PLC ± 2 PLC ± 3 PLC ± 4 PLC ± ANGLES ± FINISH -
MATERIAL	-

PRODUCT SPEC 108-137013
 APPLICATION SPEC 114-137013
 WEIGHT -
 CUSTOMER DRAWING

SIZE	CAGE CODE	DRAWING NO	RESTRICTED TO
A2	00779	G-T124016XXXX000	CI
SCALE	1:1	SHEET	OF

单击下面可查看定价，库存，交付和生命周期等信息

[>>TE Connectivity\(泰科\)](#)