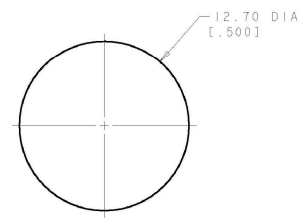
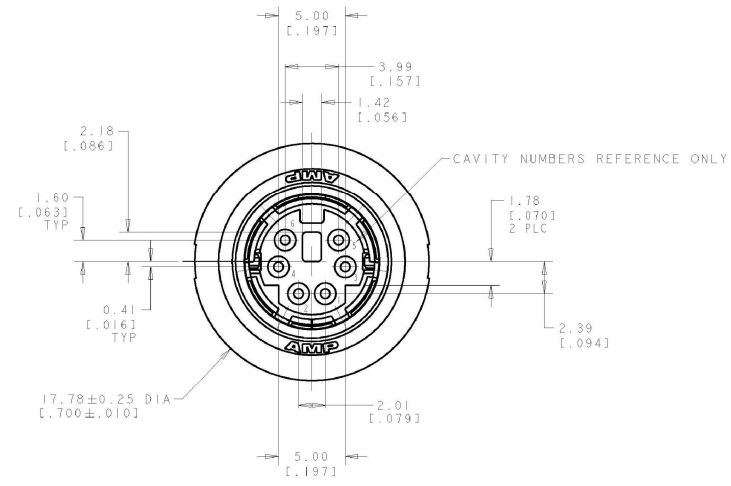
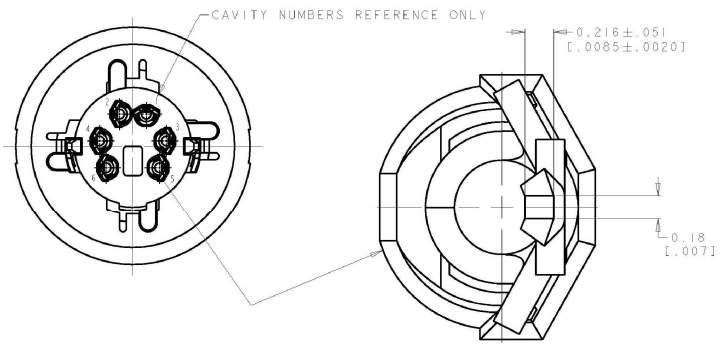
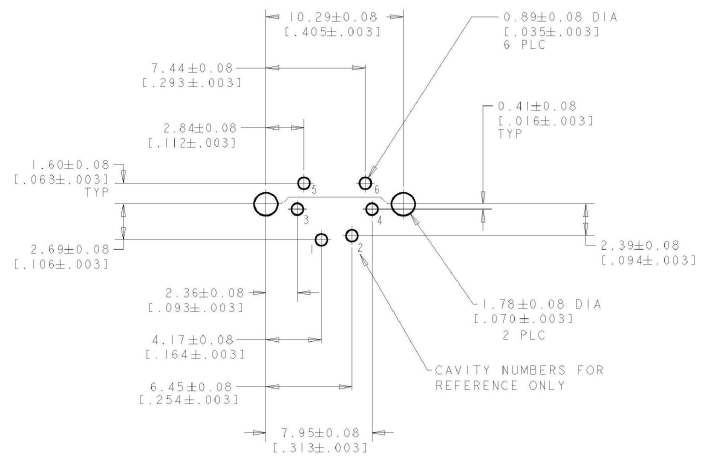
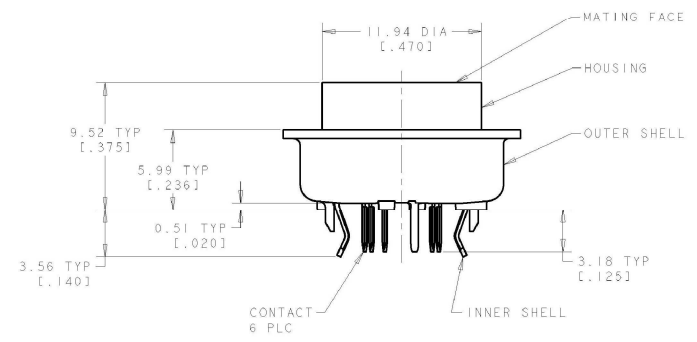


LOC	REV	DESCRIPTION	DATE	BY	APPV
DY	-	REVISED PER ECR-18-019062	05DEC2018	RZ	SL



- △ SHELLS: BRASS; CONTACTS: PHOSPHOR BRONZE; HOUSING: POLYESTER, UL 94V-0 RATED, BLACK.
- △ 0.76 μm [.000030] MIN GOLD ON MATING END FOR A LENGTH OF 1.37[.054] MIN ON INSIDE, 2.54 μm [.000100] MIN TIN FOR A LENGTH OF 3.30[.130] MIN FROM OPPOSITE END, ALL OVER 1.27 μm [.000050] MIN NICKEL.
- 3 0.38 μm [.000015] MIN GOLD ON MATING END FOR A LENGTH OF 1.37[.054] MIN ON INSIDE, 2.54 μm [.000100] MIN TIN FOR A LENGTH OF 3.30[.130] MIN FROM OPPOSITE END, ALL OVER 1.27 μm [.000050] MIN NICKEL.
- 4. RECEPTACLE ASSEMBLY MATES WITH 6 PIN, 8.99±0.10[.354±.004] DIAMETER PLUG.



RECOMMENDED PC BOARD LAYOUT
BOTTOM VIEW

CONTACT FINISH		5750329-2	
PART NO		5750329-2	
STE TE Connectivity			
RECEPTACLE ASSEMBLY, 6 POSN. LOW FLANGE, SHIELDED, VERTICAL, MINIATURE CIRCULAR DIN			
DATE		30AUG2004	
DESIGNED BY		WILEE	
DRAWN BY		ST LEONG	
CHECKED BY		ST LEONG	
APPROVED BY		-	
APPLICATION SPEC		-	
MATERIAL		-	
FINISH		-	
REMARK		-	
CUSTOMER DRAWING		-	
SCALE		5:1	
SHEET		1 OF 1	
REV		-	

单击下面可查看定价，库存，交付和生命周期等信息

[>>TE Connectivity\(泰科\)](#)