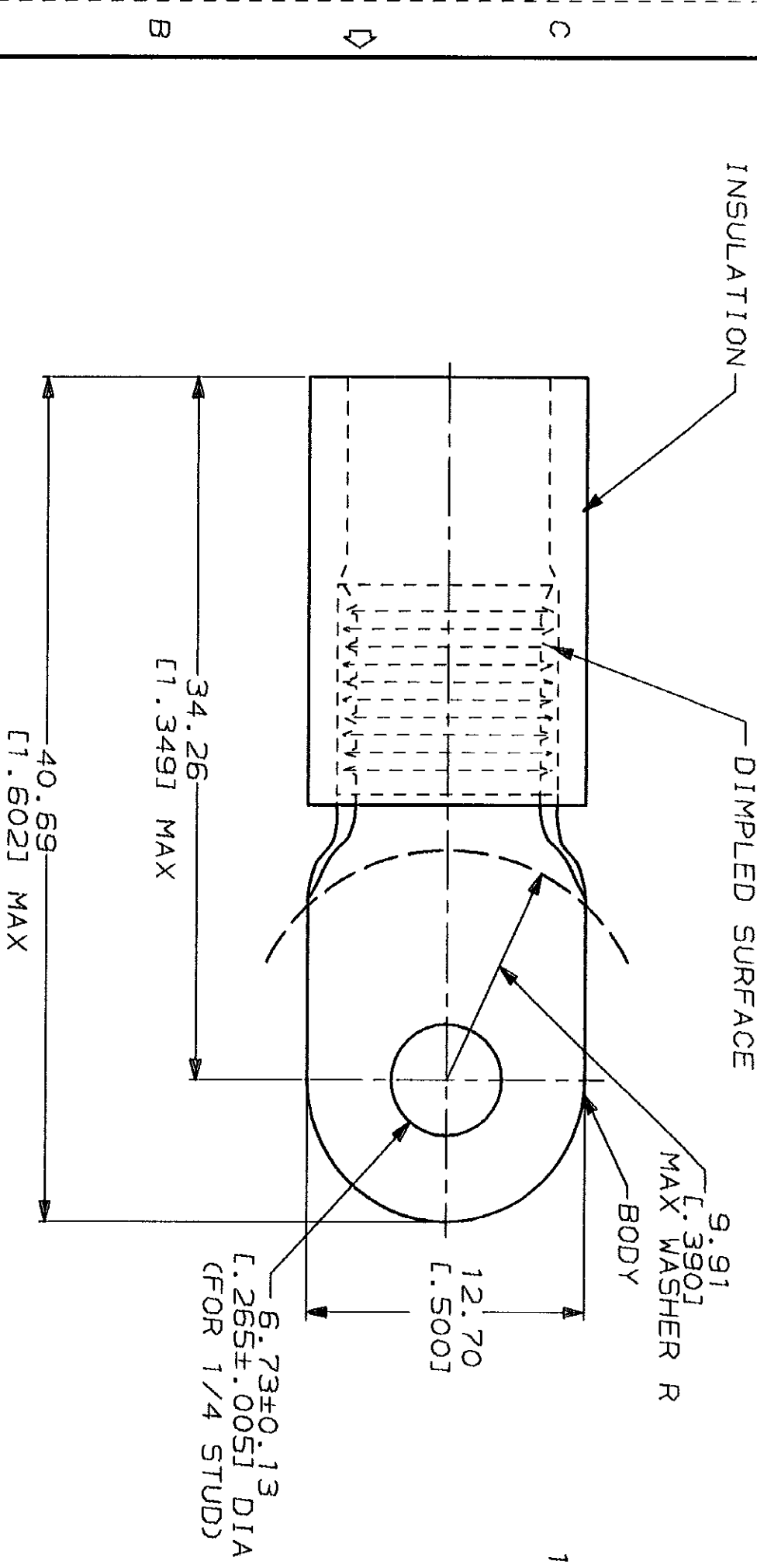


LOC	DIST	P	ZONE	LTR	REVISIONS	DATE	APPD
G	14				EC 0720-0279-93	5-23-93	BB

AMP
 WIRE RANGE
 4 HD AWG
 STRANDED

METRIC
 DIMENSIONS LISTED IN mm [INCHES]

1. TONGUE MATERIAL THK 2.31±0.08[.091±.004]
 FOR 11.25[.443] MAX WIRE INS DIA



**AMP INCORPORATED
 CUSTOMER SERVICE SYSTEMS**

FOR ADDITIONAL PRODUCT INFORMATION OR COPIES OF DRAWINGS AND TECHNICAL DOCUMENTS	PRODUCT INFORMATION CENTER 1-800-522-6752	MAX RECOMMENDED OPERATING TEMPERATURE: 105°C	DO NOT SCALE PRINT. UNLESS SPECIFIED OTHERWISE: TOLERANCES ON: 2 PLC DEC ± 0.20(L.008) 3 ANGLES ±	DR 6-23-93 S.S. GOLDEN CHK 6-23-93 R. HERSEY APPD 6-23-93 B. BAUE	QTY	PACKAGE TYPE	PART NO
FOR APPLICATION	TOOLING ASSISTANCE CENTER 1-800-722-1111	VOLTAGE RATING: -	MATERIAL COPPER PER ASTM B-152 NYLON (MIL-M-20693) TYPE 1 COLOR: YELLOW	APPD 6-23-93 M. ELLIS PRODUCT SPEC		LOOSE PC	330966
TOOLING INFORMATION	1-800-526-5142	CIRCULAR MIL AREA: 16.8-26.7mm² [33, 100-52, 600] STRANDED	FINISH TIN PLATE PER MIL-T-10727	APPD 6-23-93 M. ELLIS APPLICATION SPEC			
FOR ORDER ENTRY		THIS DRAWING IS A CONTROLLED DOCUMENT FOR AMP INCORPORATED. IT IS SUBJECT TO CHANGE AND THE CONTROLLING ENGINEERING ORGANIZATION SHOULD BE CONTACTED FOR THE LATEST REVISION.		WEIGHT			
AMP 1470-15 REV 3-92		AMP 1122 <UUI28A>DEPT1132>AMP1122>J.CUSTOMERINYL		SIZE	B	CASE CODE	00779
23 JUN 1993 09:18:54		AMP 1122 <UUI28A>DEPT1132>AMP1122>J.CUSTOMERINYL		SCALE	NTS	DRAWING NO	G=330966
							SHEET 1 OF 1

CUSTOMER DRAWING

单击下面可查看定价，库存，交付和生命周期等信息

[>>TE Connectivity\(泰科\)](#)