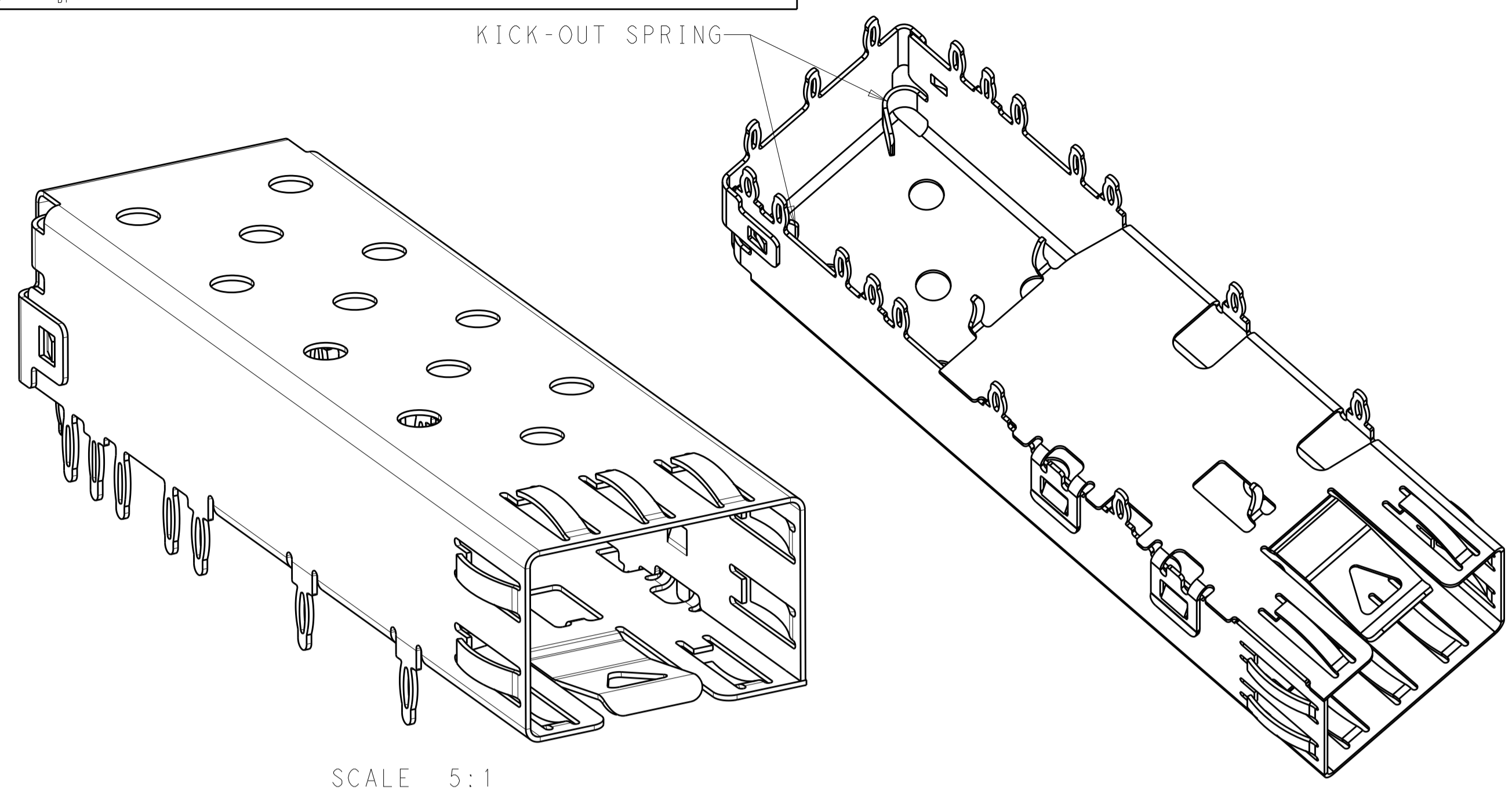


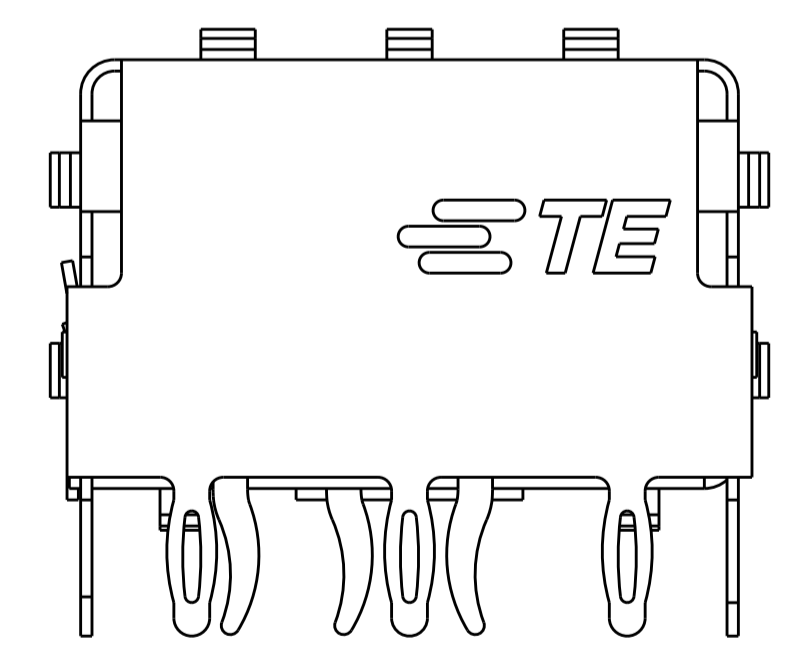
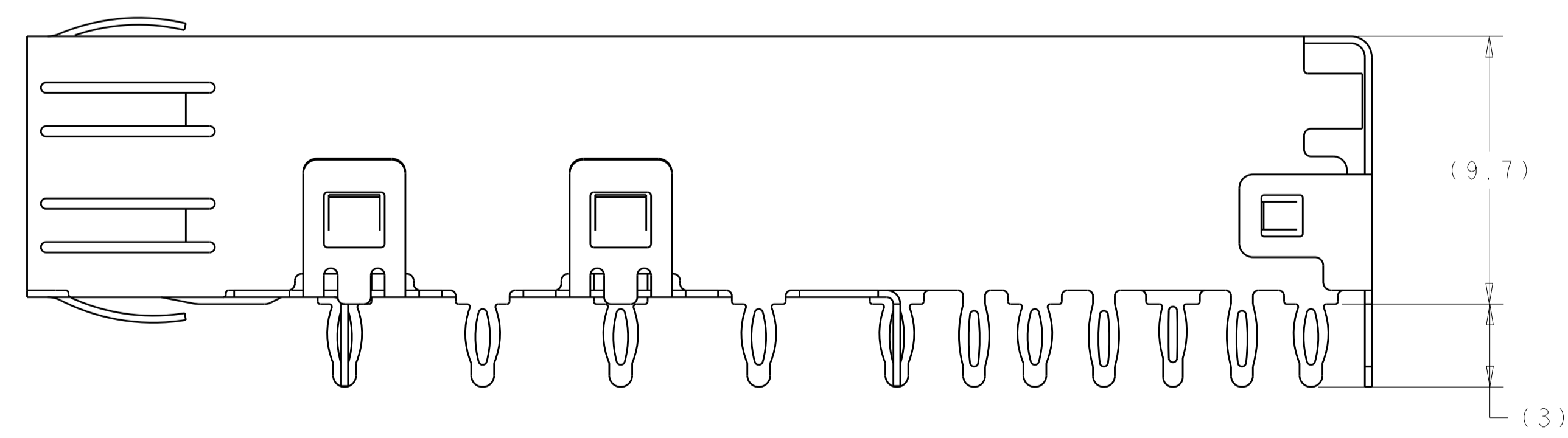
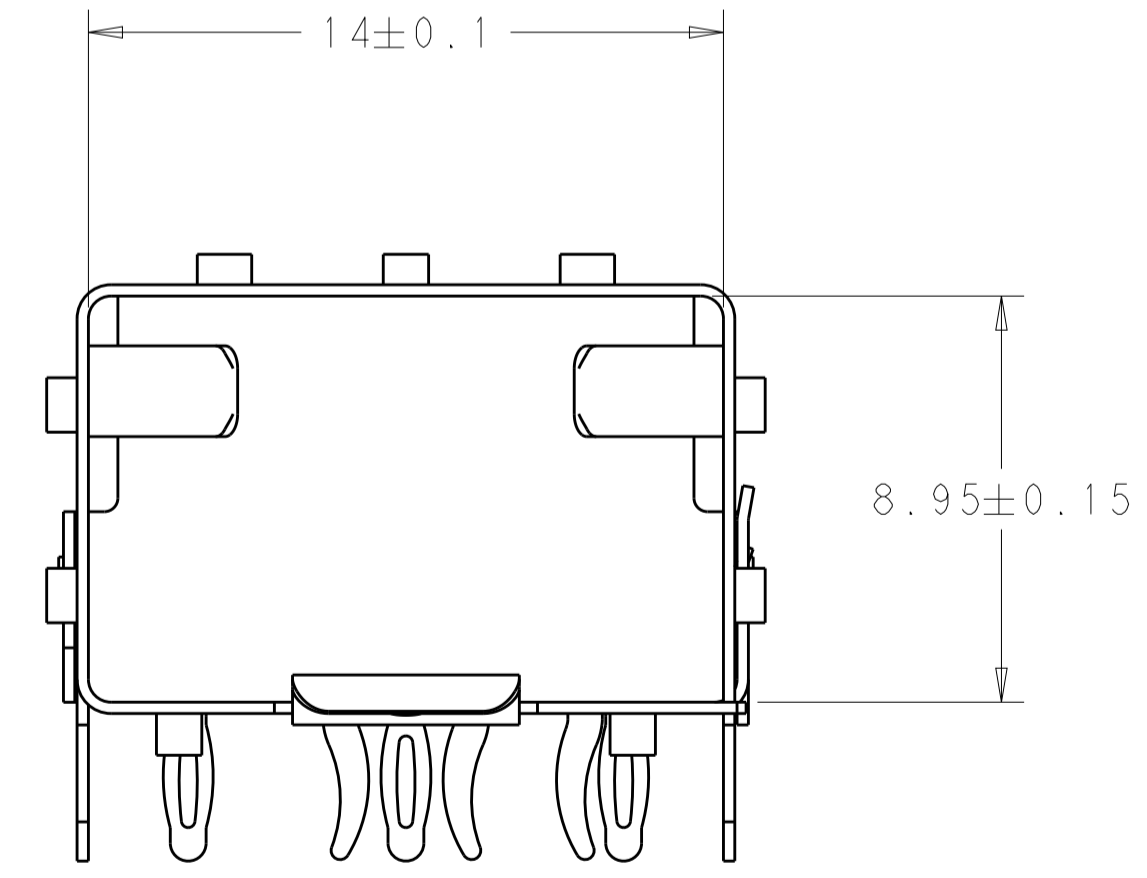
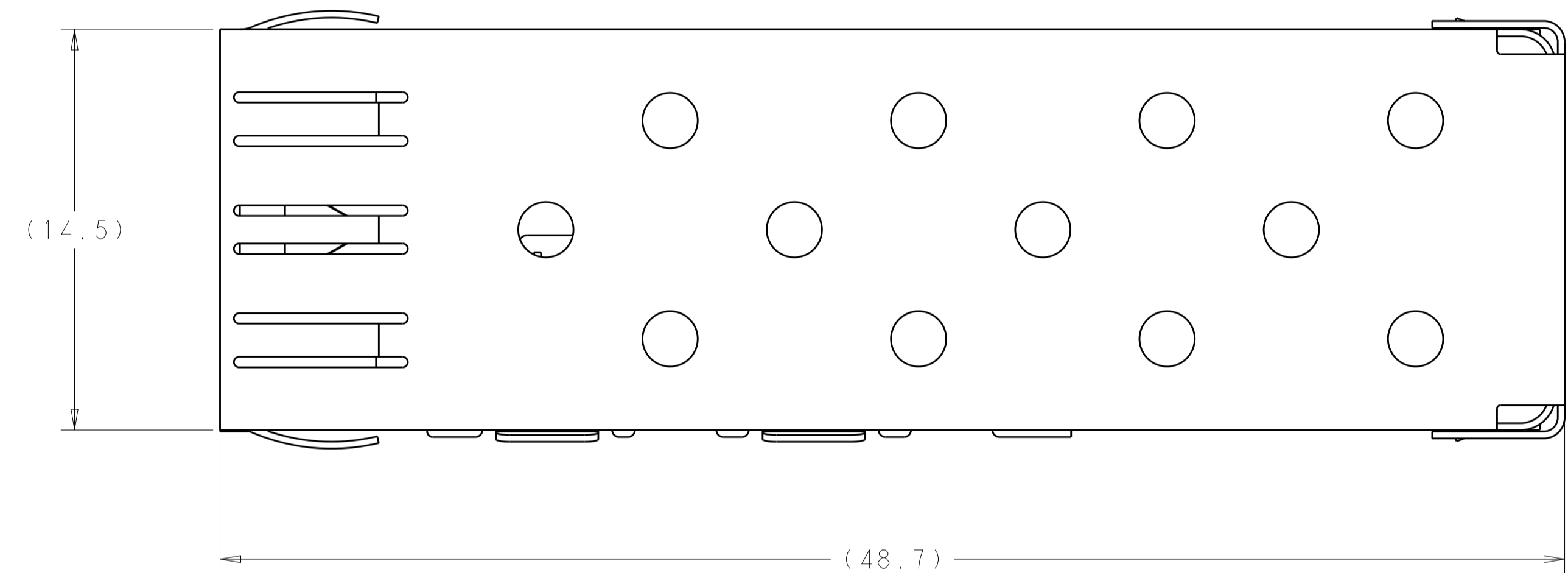
LOC	DIST	REVISIONS					
GP	00	P	LTN	DESCRIPTION	DATE	DWN	APVD
		A		INITIAL RELEASE	20APR2014	CW	SH
		B		ADD-3	25OCT2016	PP	SH



SCALE 5:1

SCALE 4:1

- 1 MATERIAL: 0.25mm THICK STAINLESS STEEL.
- 2 FINISH: NICKEL, NON PLATED EDGES PERMISSIBLE.
- 3. MATES WITH SFP MSA COMPLIANT TRANSCEIVERS.
- 4 PADS AND VIAS CHASSIS GROUND.
- 5 DATUM AND BASIC DIMENSION ESTABLISHED BY CUSTOMER.
- 6. MINIMUM PC BOARD THICKNESS:
SINGLE SIDED = 1.50 mm
- 7 REFERENCE APPLICATION SPEC. 114-13120, HOLE A, FOR
RECOMMENDED DRILL HOLE DIAMETER AND PLATING THICKNESS(EXCEPT IMMERSION SILVER PLATING).
- 8 REFERENCE APPLICATION SPEC. 114-13120, HOLE C, FOR
RECOMMENDED DRILL HOLE DIAMETER AND PLATING THICKNESS(EXCEPT IMMERSION SILVER PLATING).
- 9. THE RECOMMENDED DIMENSIONS FOR HOLES ON PAGE 2/2 ARE NOT COMPATIBLE WITH IMMERSION SILVER PLATING HOLES
BECAUSE OF OVERLARGE INSERTION FORCE.



WITHOUT KICK-OUT SPRING(PAGE 2)	2227023-3
WITH KICK-OUT SPRING(PAGE 1)	2227023-1
DESCRIPTION	PART NUMBER

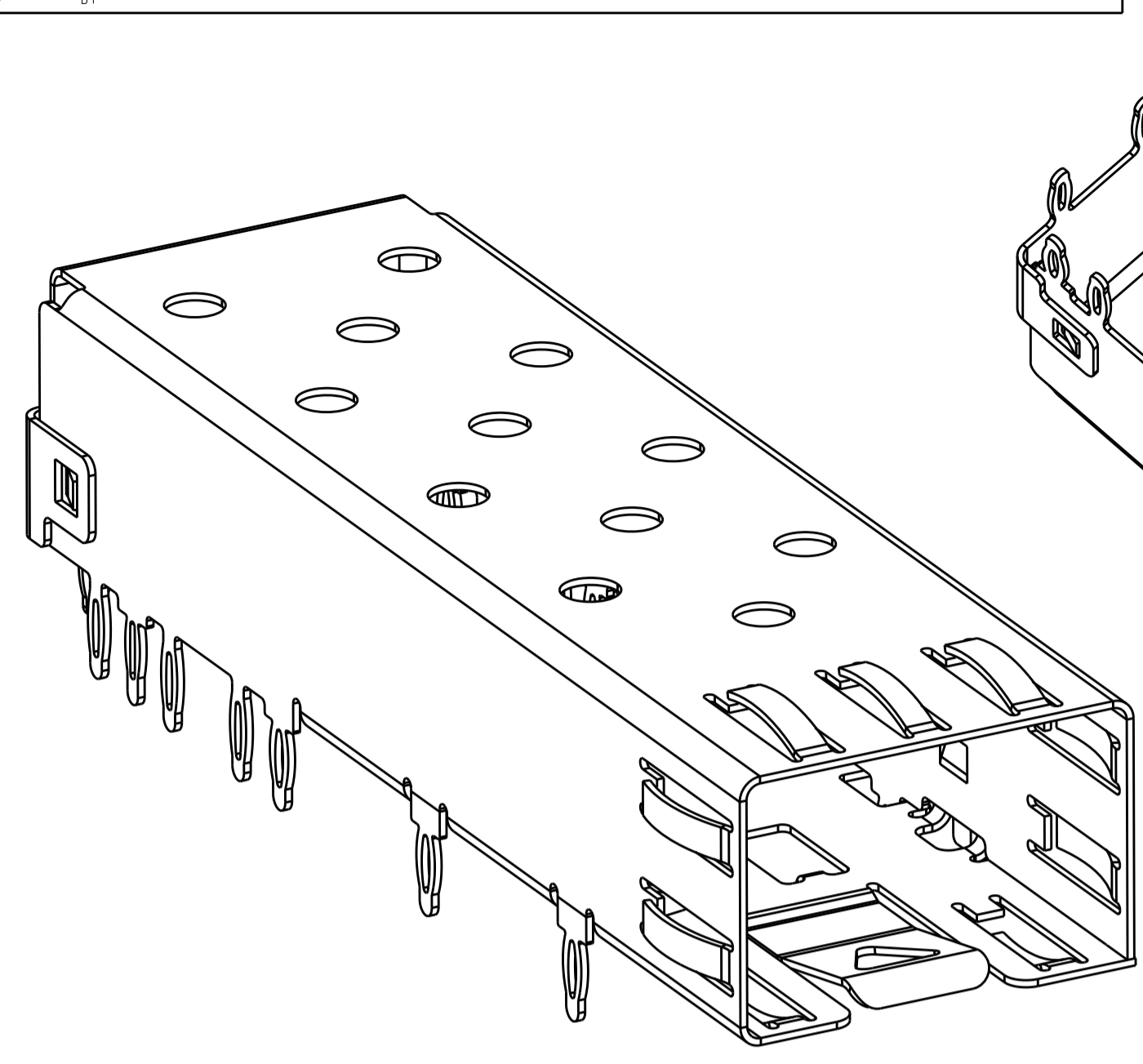
THIS DRAWING IS A CONTROLLED DOCUMENT. DIMENSIONING AND TOLERANCING PER ASME Y14.5M-2009		DWN C. VALENTINE CHK M. SCHMITT APVD M. SCHMITT	07NOV2012 07NOV2012 07NOV2012
DIMENSIONS: mm		TOLERANCES UNLESS OTHERWISE SPECIFIED:	
0 PLC ±		1 PLC ±0.2	
2 PLC ±0.1		3 PLC ±0.1	
4 PLC ±		ANGLES ±	
FINISH		MATERIAL	
CUSTOMER DRAWING		SCALE 6:1 SHEET 1 OF 3 REV B	

STE TE Connectivity

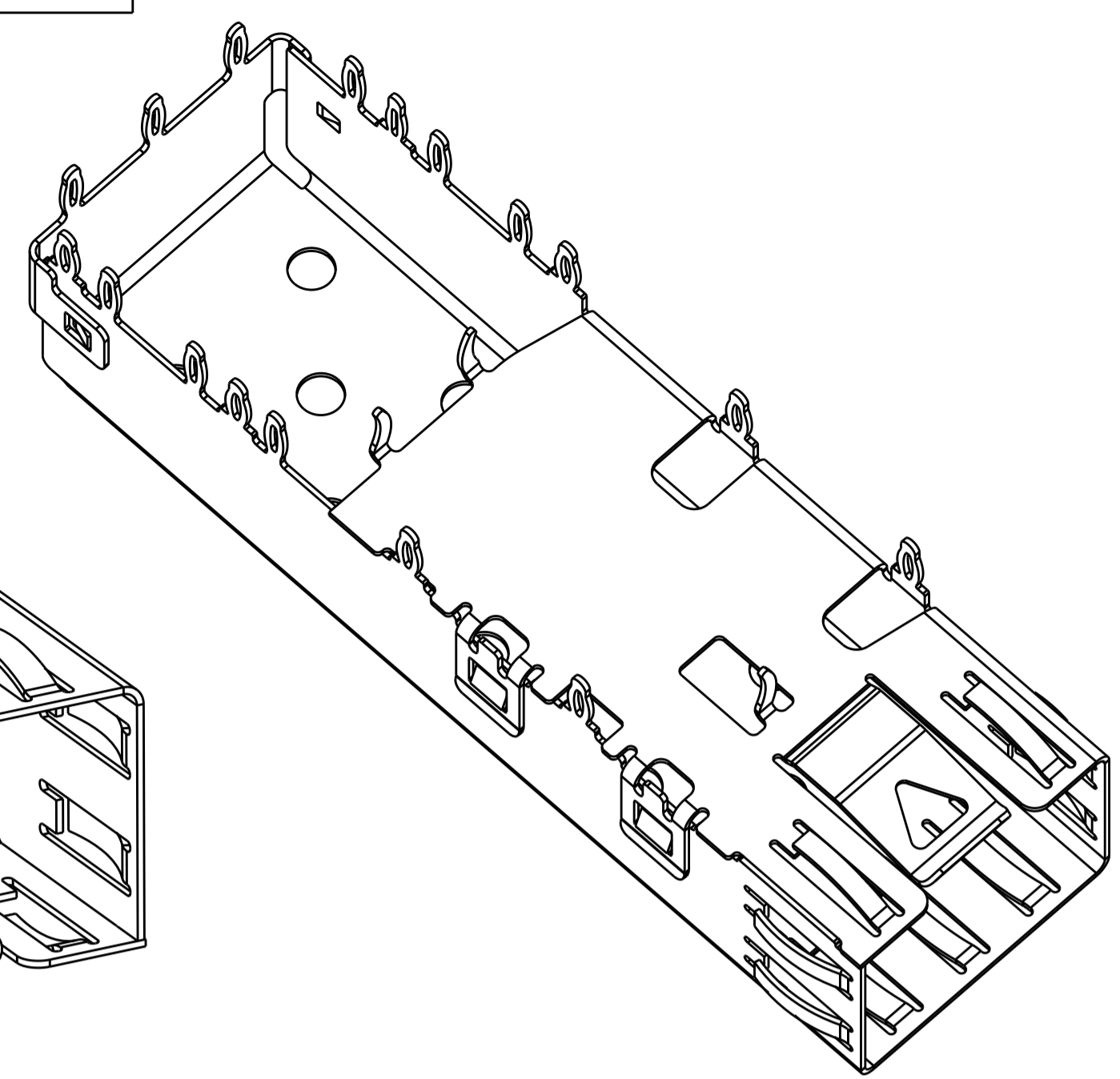
SFP, 1X1 SINGLE PIECE CAGE, PRESS FIT

SIZE CAGE CODE DRAWING NO RESTRICTED TO
 A100779C=2227023

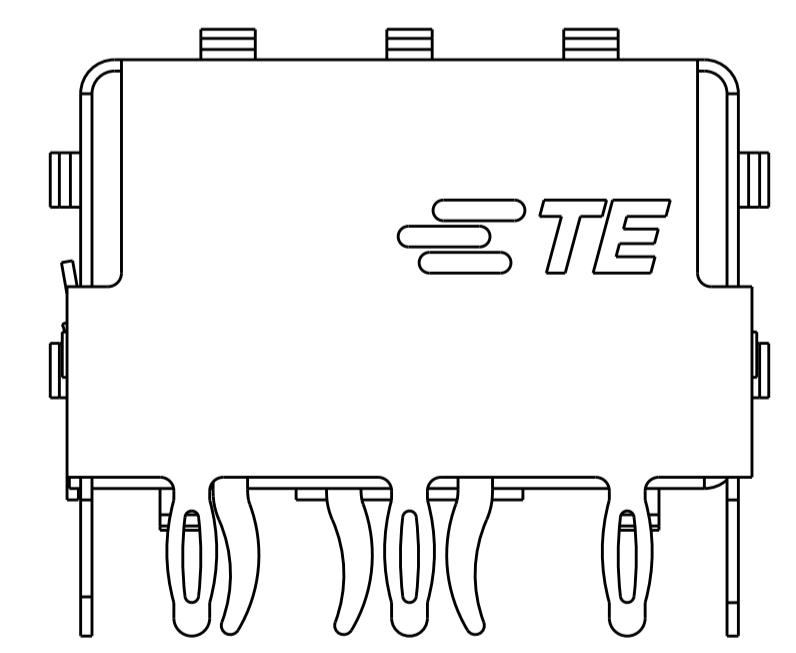
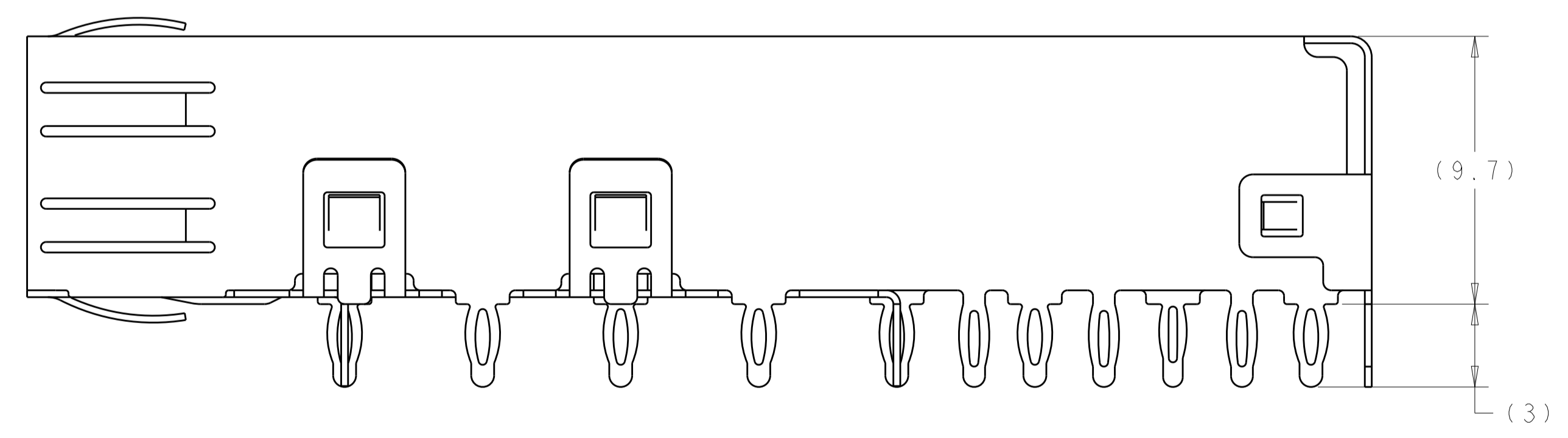
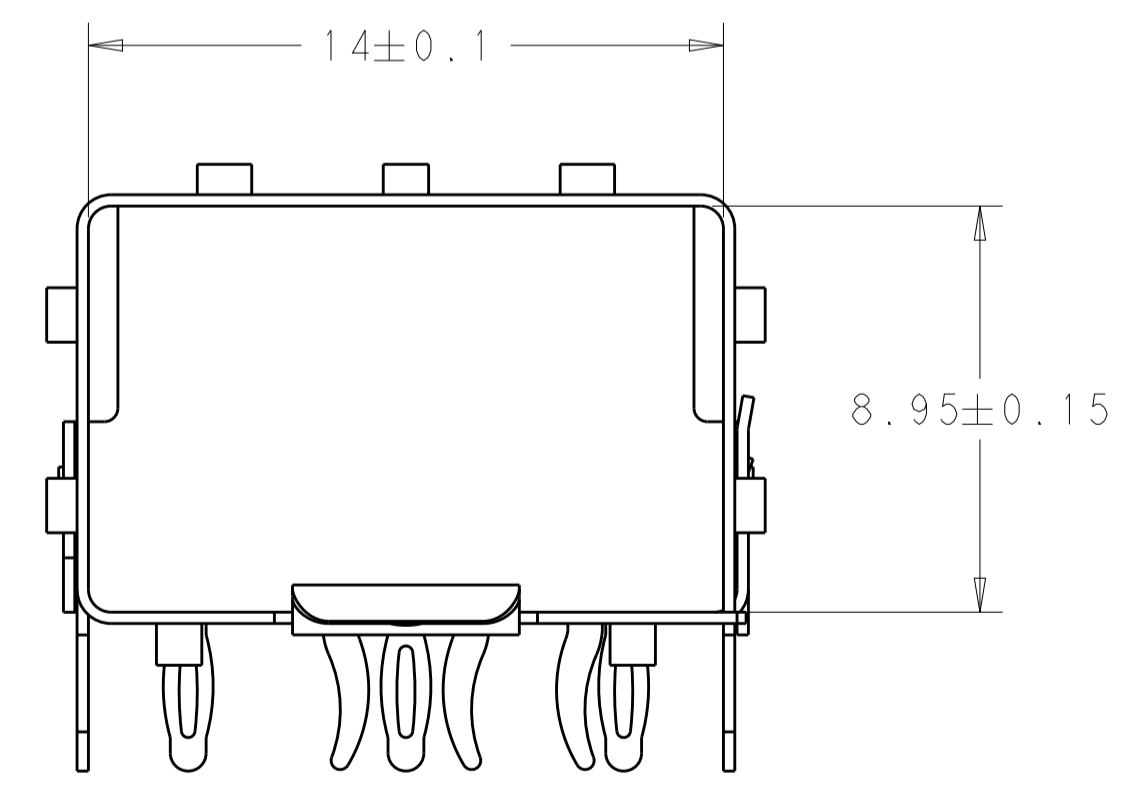
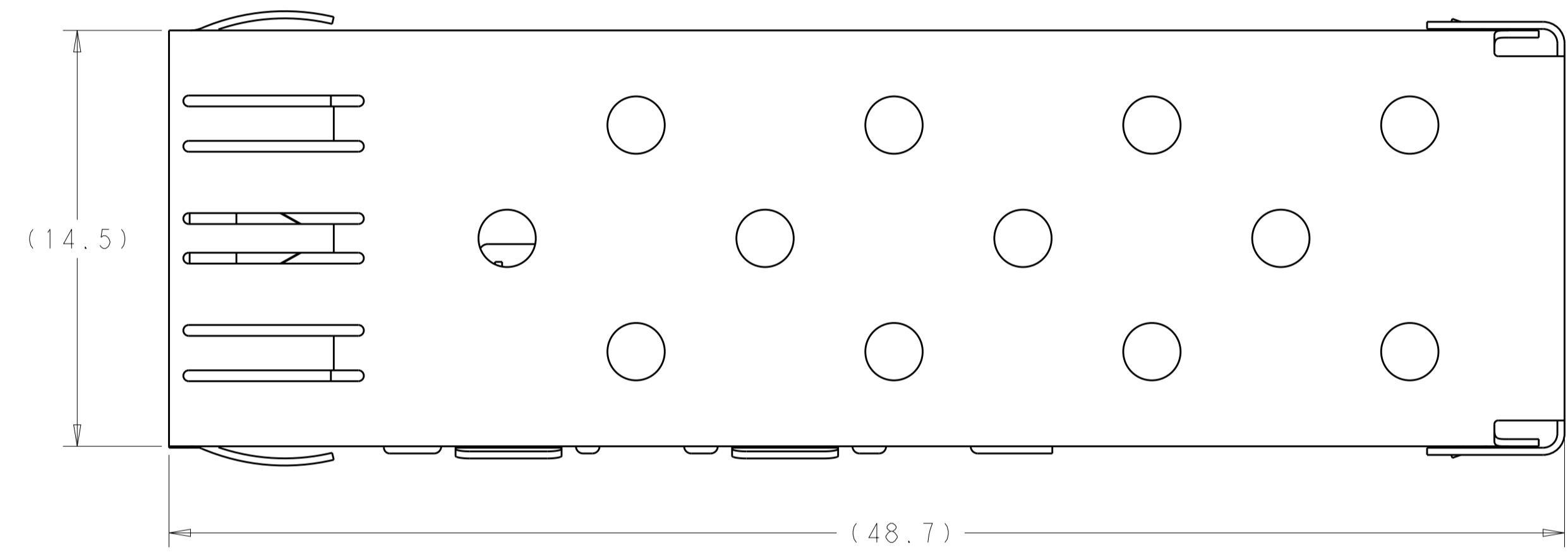
LOC		DIST		REVISIONS			
P.	LTN	DESCRIPTION	DATE	DWN	APVD		
-	-	SEE SHEET 1	-	-	-		



SCALE 5:1

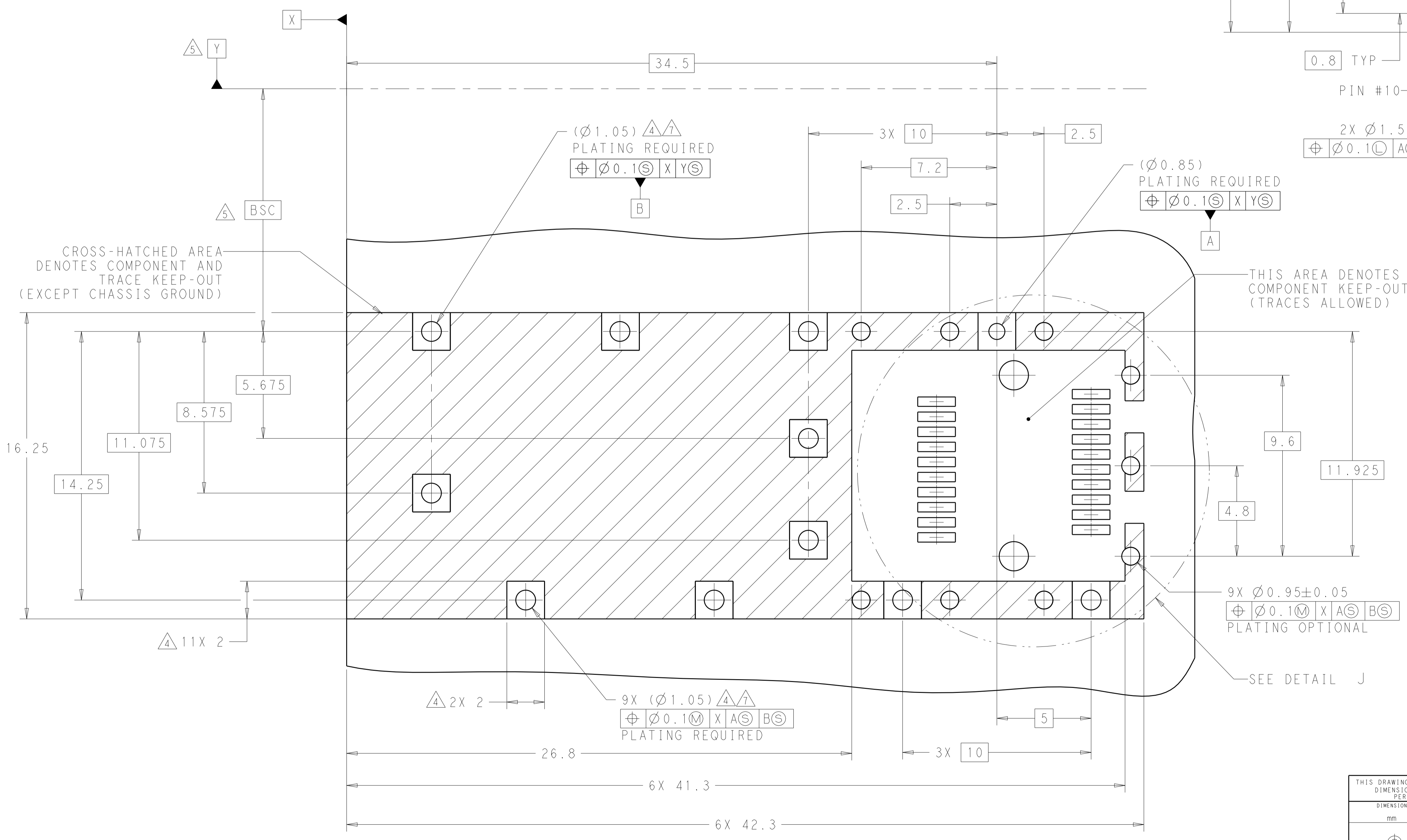
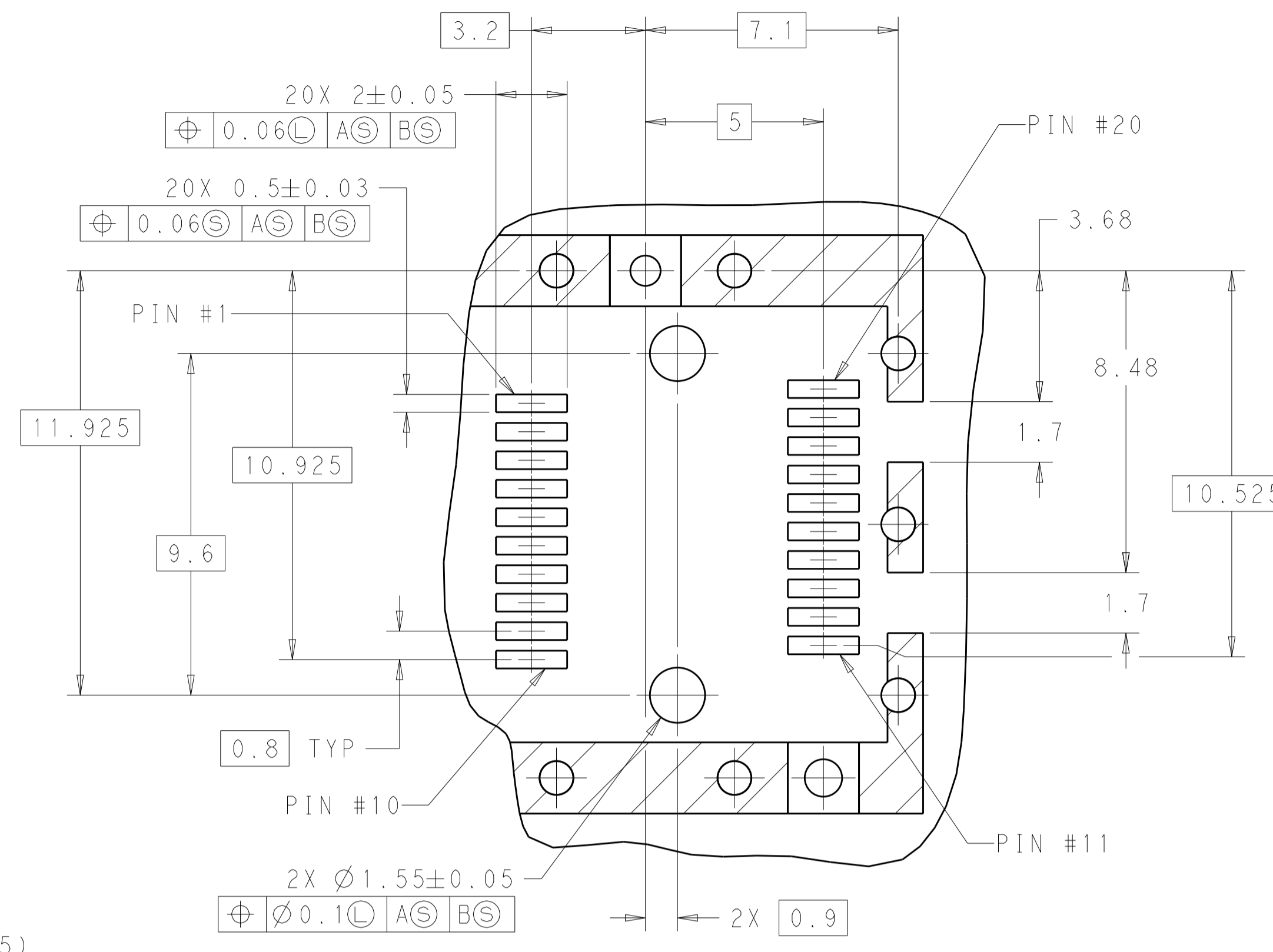
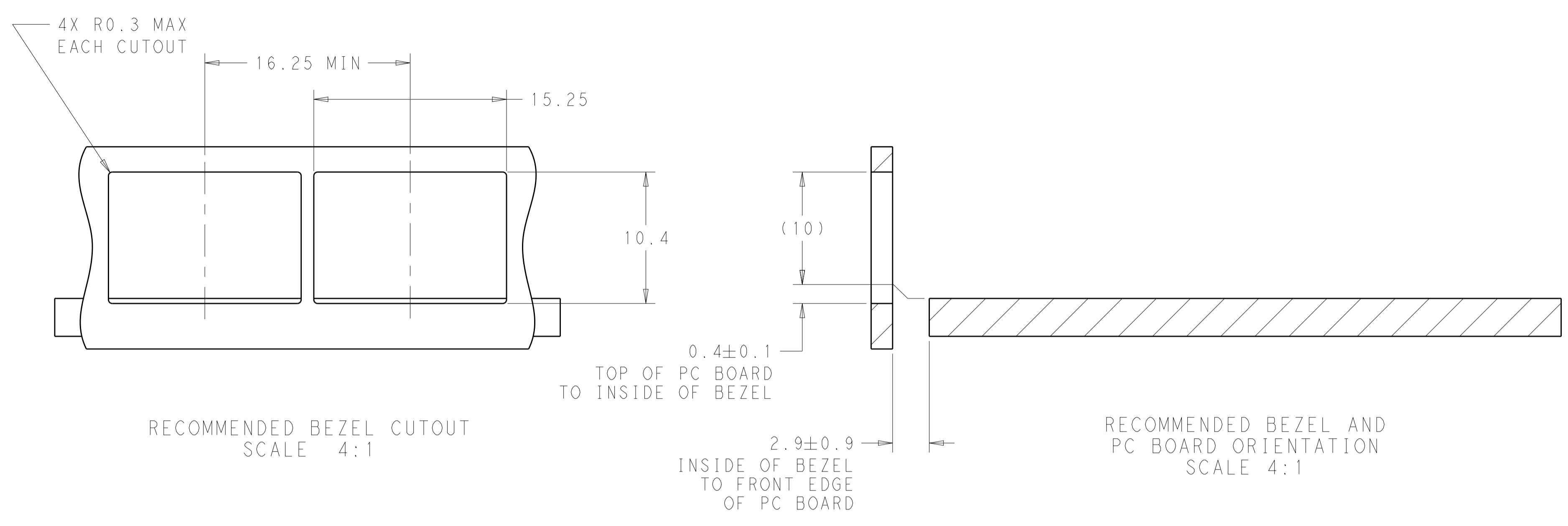


SCALE 4:1



THIS DRAWING IS A CONTROLLED DOCUMENT.		DWN C. VALENTIN 07NOV2012	
DIMENSIONS:		CHK M. SCHMITT 07NOV2012	
mm	TOLERANCES UNLESS OTHERWISE SPECIFIED:	APVD M. SCHMITT 07NOV2012	NAME SFP, 1X1 SINGLE PIECE CAGE, PRESS FIT
0 PLC ±	1 PLC ±0.2	PRODUCT SPEC	108-1950
2 PLC ±0.1	3 PLC ±0.1	APPLICATION SPEC	114-13120
4 PLC ±	ANGLES ±	WEIGHT	A100779C=2227023
MATERIAL	FINISH	Customer Drawing	RESTRICTED TO
		SCALE 6:1	SHEET 2 OF 3
			REV B

LOC	DIST	REV	DESCRIPTION	DATE	DWN	APVD
GP	00		SEE SHEET 1			



THIS DRAWING IS A CONTROLLED DOCUMENT. DIMENSIONING AND TOLERANCING PER ASME Y14.5M-2009		DWN: C. VALENTINE 07NOV2012	TE Connectivity
DIMENSIONS: mm		CHK: M. SCHMITT 07NOV2012	
TOLERANCES UNLESS OTHERWISE SPECIFIED:		APVD: M. SCHMITT 07NOV2012	NAME: SFP, 1X1 SINGLE PIECE CAGE, PRESS FIT
0 PLC	±	PRODUCT SPEC	108-1950
1 PLC	±0.2	APPLICATION SPEC	114-13120
2 PLC	±0.1	WEIGHT	A100779C=2227023
3 PLC	±0.1	CUSTOMER DRAWING	SCALE 1:1 SHEET 3 OF 3 REV B
4 PLC	±		
ANGLES	±		
MATERIAL	FINISH		

单击下面可查看定价，库存，交付和生命周期等信息

[>>TE Connectivity\(泰科\)](#)