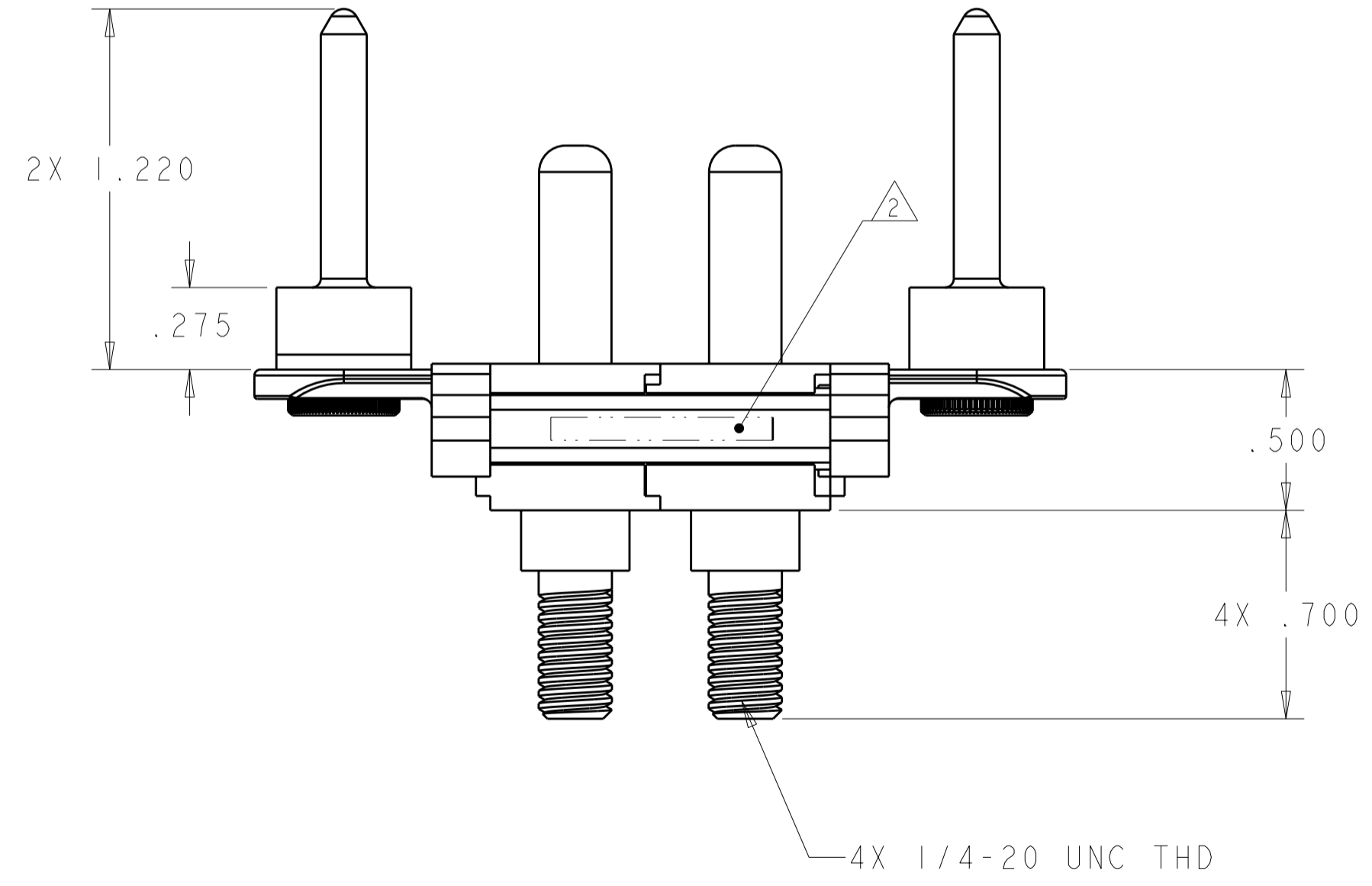
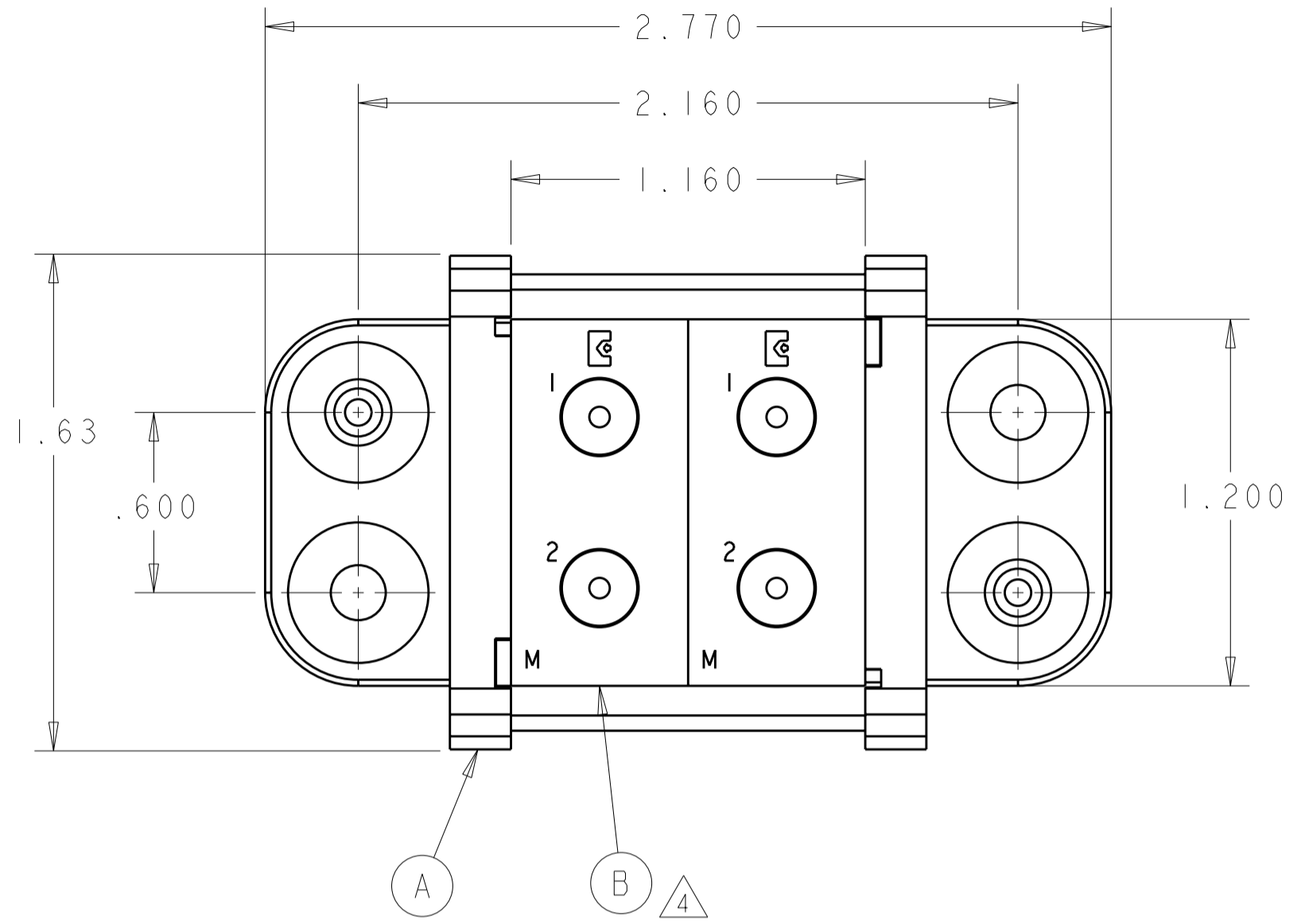


THIS DRAWING IS UNPUBLISHED. RELEASED FOR PUBLICATION 20
 © COPYRIGHT 20 BY - ALL RIGHTS RESERVED.

LOC		DIST		REVISIONS			
P	LTR	DESCRIPTION	DATE	DWN	APVD		
	A	NEW RELEASE	13FEB2012	BM	DO		



1. PART NUMBER CHANGES AND/OR DESIGN CHANGES AFFECTING ITEM INTERCHANGEABILITY REQUIRE PRIOR TYCO ELECTRONICS APPROVAL AND AUTHORIZATION BY REVISION TO THIS DRAWING.

2. ITEMS PROVIDED TO THIS SPECIFICATION TO BE PERMANENTLY IDENTIFIED PER THE FOLLOWING IDENTIFIER:

TYCO ELECTRONICS P/N: XXXXXXXX-X
 DATE CODE (e.g. 0212): YEAR 1 WEEK 1
 XXXX

3. MOUNTING FLANGE BUSHING ACCEPTS 6/32 SCREW (Ø.156 CLEARANCE HOLE, FLOAT MOUNT) OR 8/32 SCREWS (Ø.173 CLEARANCE HOLE FIXED MOUNT) USER SUPPLIED.

4. MODULE "M" PIN IS INSTALLED

2	6648499-1	MODULE "M"	B
2	6648259-1	END CAP, PANEL MOUNT	A
-1	PART NUMBER	DESCRIPTION	ITEM NO.

THIS DRAWING IS A CONTROLLED DOCUMENT.

DWN: B. MATTHEWS 13FEB2012
 CHK: D. ORRIS 13FEB2012
 APVD: S. FLICKINGER 13FEB2012

STE TE Connectivity

NAME: PIN CONNECTOR DOMINO W/ PANEL CUT-OUT

SIZE: A2 CAGE CODE: 2085996 DRAWING NO: C-2085996

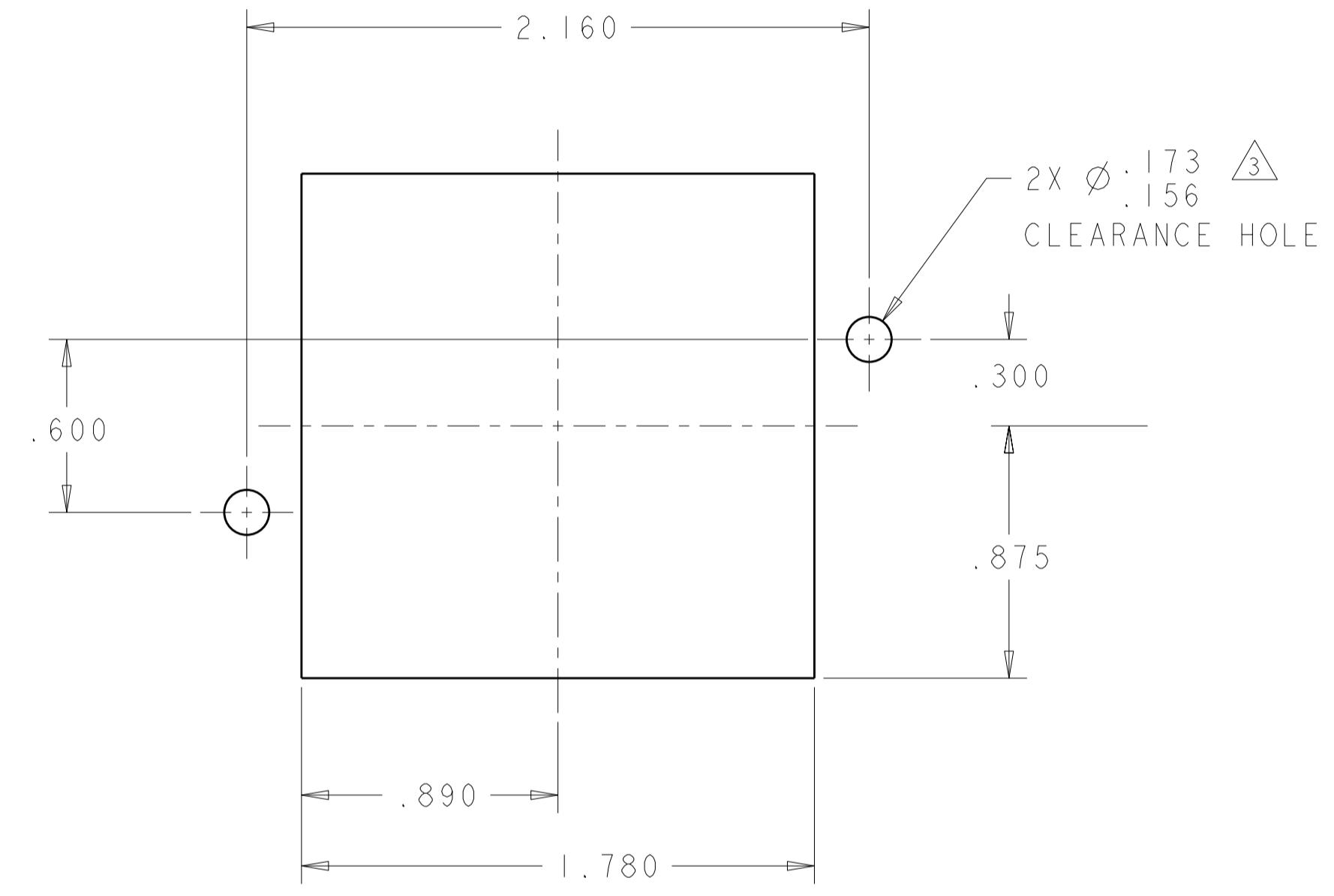
MATERIAL: - FINISH: - WEIGHT: -

CUSTOMER DRAWING SCALE: 2:1 SHEET 1 OF 2 REV A

ELCON **DOMINO**

THIS DRAWING IS UNPUBLISHED. RELEASED FOR PUBLICATION 20
 © COPYRIGHT 20 BY - ALL RIGHTS RESERVED.

LOC	DIST	REVISIONS			
P	LTR	DESCRIPTION	DATE	DWN	APVD
GP	00	-	SEE SHEET 1	-	-



PANEL CUT-OUT
 COMPONENT SIDE

ELCON **DOMINO**

THIS DRAWING IS A CONTROLLED DOCUMENT.		DWN B. MATTHEWS 13FEB2012	STE TE Connectivity	
DIMENSIONS: INCHES		CHK D. ORRIS 13FEB2012		
TOLERANCES UNLESS OTHERWISE SPECIFIED:		APVD S. FLICKINGER 13FEB2012	NAME PIN CONNECTOR DOMINO W/ PANEL CUT-OUT	
0 PLC ±0 1 PLC ±0 2 PLC ±.02 3 PLC ±.010 4 PLC ± ANGLES ± FINISH		PRODUCT SPEC -	SIZE A200779	
MATERIAL -		APPLICATION SPEC -	DRAWING NO C-2085996	
		WEIGHT -	RESTRICTED TO -	
		CUSTOMER DRAWING	SCALE 2:1 SHEET 2 OF 2 REV A	

单击下面可查看定价，库存，交付和生命周期等信息

[>>TE Connectivity\(泰科\)](#)