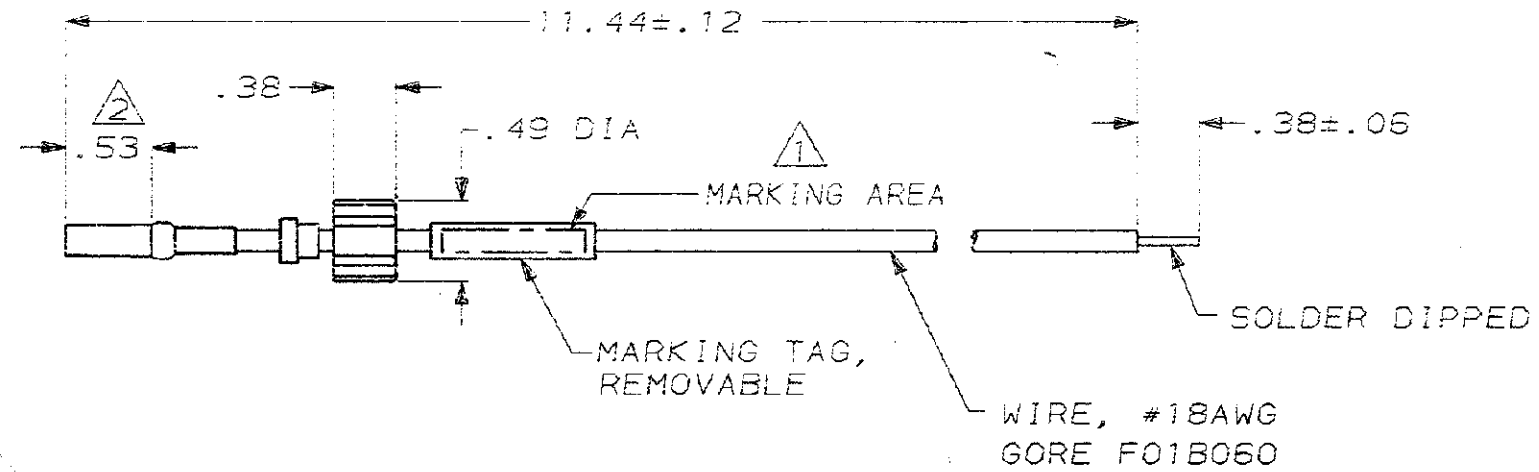


DRAWING MADE IN THIRD ANGLE PROJECTION

THIS DRAWING IS UNPUBLISHED. RELEASED FOR PUBLICATION, 19
 © COPYRIGHT 19 BY AMP INCORPORATED, HARRISBURG, PA. ALL INTERNATIONAL RIGHTS RESERVED. AMP PRODUCTS MAY BE COVERED BY U.S. AND FOREIGN PATENTS AND/OR PATENTS PENDING.

LOC	DIST	P	F	ZONE	LTR	DESCRIPTION	DATE	APPROVED
L	37					0 WAS 4092-15041-2 RLSE, PR1763	6-86	MG
						A REV ECN S3457	10-14 86	MS



- ① MARKED PER MIL-STD-130.
- ② TO MATE WITH AMP LGH-1/2 RECEPTACLE WITH .53 BARREL DEPTH.

868843-1
PART NO

UNLESS OTHERWISE SPECIFIED DIMENSIONS ARE IN INCHES TOLERANCES ON: 2 PL DEC ± .01 3 PL DEC ± - ANGLES ± -	DR	R. HEPNER	6-24-86	AMP	AMP INCORPORATED harrisburg, Pa. 17105	
	CHK	M. GARDNER	6-24-86		NAME	
MATERIAL	APPD	M. GARDNER	6-24-86	LEAD ASSY, LGH-1/2		
	APPD	-	-	SIZE	FSCM NO	DRAWING NO
FINISH	PRODUCT SPEC	-	-	B	00779	868843
	APPLICATION SPEC	-	-	SCALE	1:1	SHEET 1 OF 1
WEIGHT	-	-	-	CUSTOMER DRAWING		

单击下面可查看定价，库存，交付和生命周期等信息

[>>TE Connectivity\(泰科\)](#)